



BOARD OF COUNTY COMMISSIONERS

WARREN COUNTY, OHIO

406 Justice Drive, Lebanon, Ohio 45036

www.co.warren.oh.us

commissioners@co.warren.oh.us

Telephone (513) 695-1250

Facsimile (513) 695-2054

TOM GROSSMANN

SHANNON JONES

DAVID G. YOUNG

ENTER INTO CONTRACT WITH DDK CONSTRUCTION, INC. FOR THE SOCIALVILLE-FOSTERS ROAD BRIDGE #32-5.14 REHABILITATION AND RETAINING WALL REPLACEMENT PROJECT

WHEREAS, pursuant to Resolution #19-0648, adopted May 28, 2019, this Board approved a Notice of Intent to Award Contract for the Socialville-Fosters Road Bridge #32-5.14 Rehabilitation and Retaining Wall Replacement Project to DDK Construction, Inc. for a total bid price of \$683,515.60; and

WHEREAS, all documentation, including performance bonds, insurance certificates, etc., has been submitted by the contractor; and

NOW THEREFORE BE IT RESOLVED, to enter into contract with DDK Construction, Inc., 7259 Dog Trot Road, Cincinnati, Ohio, for said project, for a total contract price of \$683,515.60; as attached hereto and made a part hereof.

Mr. Young moved for adoption of the foregoing resolution being seconded by Mr. Grossmann. Upon call of the roll, the following vote resulted:

Mrs. Jones – yea

Mr. Grossmann – yea

Mr. Young – yea

Resolution adopted this 9th day of July 2019.

BOARD OF COUNTY COMMISSIONERS

Laura Lander, Deputy Clerk

KH\

cc: c/a—DDK Construction, Inc.

Engineer (file)

OMB Bid file



BOARD OF COUNTY COMMISSIONERS

WARREN COUNTY, OHIO

406 Justice Drive, Lebanon, Ohio 45036

www.co.warren.oh.us

commissioners@co.warren.oh.us

Telephone (513) 695-1250

Facsimile (513) 695-2054

TOM GROSSMANN

SHANNON JONES

DAVID G. YOUNG

APPROVE NOTICE OF INTENT TO AWARD BID TO DDK CONSTRUCTION INC. FOR THE SOCIALVILLE-FOSTER ROAD BRIDGE #32-5.14 REHABILITATION AND RETAINING WALL REPLACEMENT PROJECT

WHEREAS, bids were closed at 9:00 a.m., May 21, 2019, and the bids received were opened and read aloud for the Socialville-Fosters Road Bridge #32-5.14 Rehabilitation And Retaining Wall Replacement Project and the results are on file in the Commissioners' Office; and

WHEREAS, upon review of such bids by Neil F. Tunison, Warren County Engineer, DDK Construction Inc., has been determined to be the lowest and best bidder;

NOW THEREFORE BE IT RESOLVED, upon recommendation of Neil F. Tunison, that it is the intent of this Board to award the bid to DDK Construction Inc., 7259 Dog Trot Road, Cincinnati, Ohio, for a total bid price of \$683,515.60; and

BE IT FURTHER RESOLVED, that the President of the Board is hereby authorized to execute a "Notice of Intent to Award."

Mr. Grossmann moved for adoption of the foregoing resolution being seconded by Mrs. Jones. Upon call of the roll, the following vote resulted:

Mr. Young – absent

Mrs. Jones – yea

Mr. Grossmann – yea

Resolution adopted this 28th day of May 2019.

BOARD OF COUNTY COMMISSIONERS

Tina Osborne, Clerk

KH\

cc: Engineer (file)
OMB Bid file



BOARD OF COUNTY COMMISSIONERS

WARREN COUNTY, OHIO

406 Justice Drive, Lebanon, Ohio 45036

www.co.warren.oh.us

commissioners@co.warren.oh.us

Telephone (513) 695-1250

Facsimile (513) 695-2054

TOM GROSSMANN

SHANNON JONES

DAVID G. YOUNG

BID OPENING

May 21, 2019

BID OPENING – SOCIALVILLE-FOSTER ROAD BRIDGE #32-5.14 REHABILITATION AND RETAINING WALL REPLACEMENT PROJECT

Bids were closed at 9:00 a.m. this 21st day of May and the following bids were received, opened and read aloud for the Socialville-Foster Road Bridge #32-5.14 Rehabilitation And Retaining Wall Replacement Project for the Warren County Engineer's Office:

Prus Construction Co.	\$ 700,462.85
Sunesis Construction	\$ 737,610.02
Ford Development Corp.	\$ 786,676.27
DDK Construction Inc.	\$ 683,515.60

Roy Henson, Warren County Bridge Engineer will review bids for a recommendation at a later date.

cc: Bid File

OMB

Engineers (file)

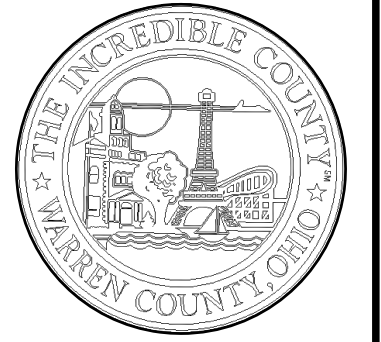
PLAN HOLDERS LIST

Socialville-Fosters Road Bridge #32-5.14 Rehabilitation and Retaining Wall Replacement Project

Individuals or companies can be added to the plan holders list by contacting Kiana Hawk at kiana.hawk@co.warren.oh.us

Name	Company	Phone Number	E-mail Address
Ann Kramer	Sunesis Construction	513.326.6000	akramer@sunesiscc.com
Tim Martin	National Gunite	317.749.6007	tmartin@nationalgunite.com
Andy Shaffer	R. B. Jergens Contractors Inc.	937.669.9799	Andy.shaffer@rbjergens.com
Lois Wittekind	Allied Construction Industries	513.221.8020	lwittekind@aci- construction.org
Roger Cadle	Prus Construction Co.	513.321.7774	rcadle@prus.us
Tom Scheidt	DDK Construction Inc.	513.479.5768	burgerscheidt@aol.com

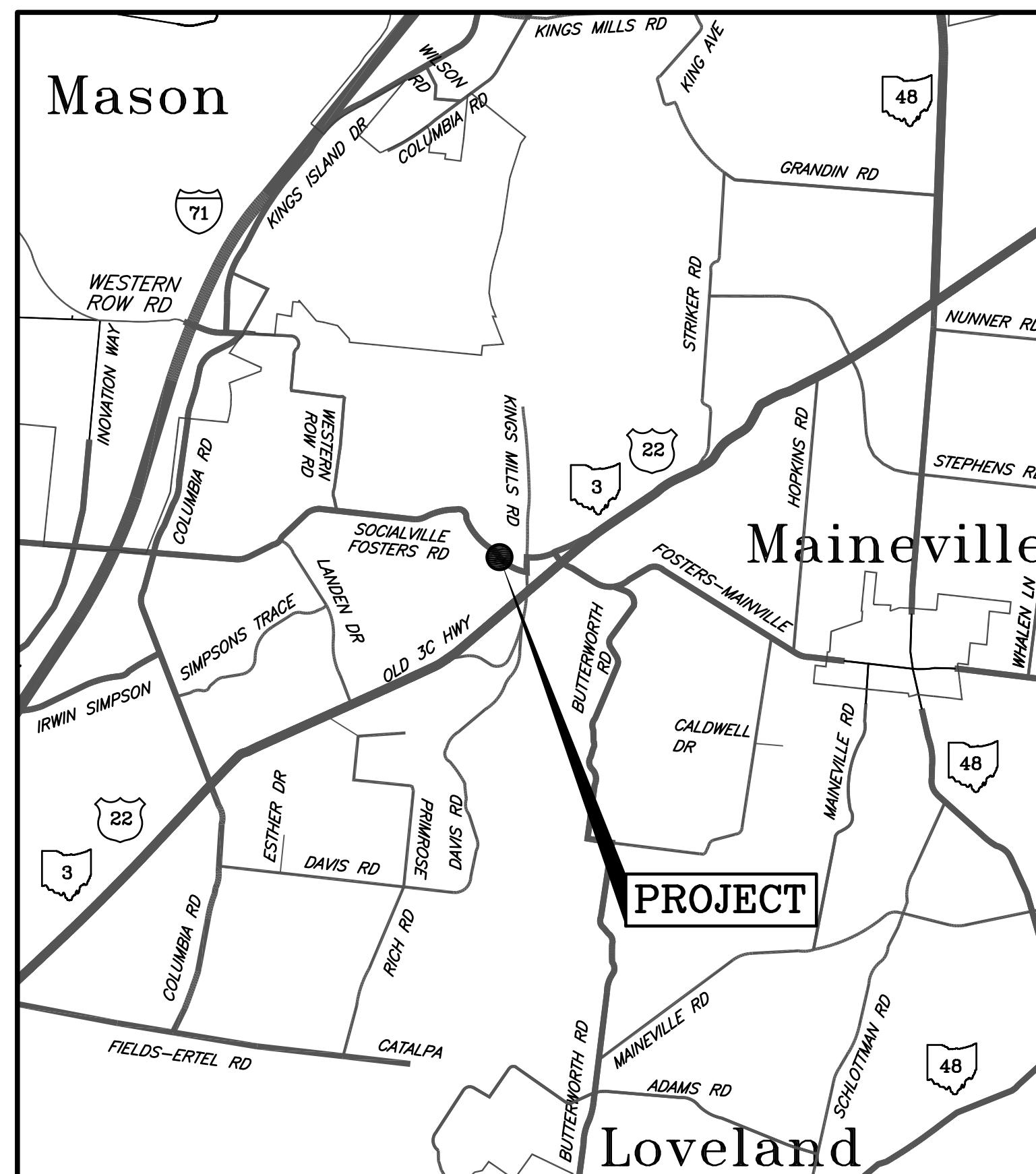
RETAINING WALL PROJECT SOCIALVILLE-FOSTERS ROAD



**Warren
County
Engineer's
Office**

Neil F. Junison, P.E., P.S.
Warren County Engineer
210 W Main Street
Lebanon, Ohio 45036
513 695 3301 Phone
513 695 7714 Fax

DEERFIELD TOWNSHIP
WARREN COUNTY, OHIO



VICINITY MAP
NOT TO SCALE

CONVENTIONAL SIGNS

- PK NAIL (SET)
- HUB & TACK (SET)
- EX. POLE
- EX. TREE
- EX. DITCH/FLOWLINE
- EXISTING GUARDRAIL
- EXISTING AERIAL UTILITIES

SHEET NUMBER

TITLE SHEET
RETAINING WALL PLAN SHEETS
GENERAL NOTES

1
2-4
5

UNDERGROUND UTILITIES
2 WORKING DAYS
BEFORE YOU DIG
CALL TOLL FREE 800-362-2764
OHIO UTILITIES PROTECTION SERVICE
NON-MEMBERS MUST BE
CALLED DIRECTLY

APPROVED: _____
DATE: _____ WARREN COUNTY ENGINEER

APPROVED: _____
DATE: _____ WARREN COUNTY COMMISSIONER

APPROVED: _____
DATE: _____ WARREN COUNTY COMMISSIONER

APPROVED: _____
DATE: _____ WARREN COUNTY COMMISSIONER

PLANS PREPARED BY:
THE WARREN COUNTY ENGINEERING DEPARTMENT
210 W MAIN STREET
LEBANON, OHIO 45036

TITLE SHEET
SOCIALVILLE-FOSTERS ROAD
RETAINING WALL PROJECT
DEERFIELD TOWNSHIP

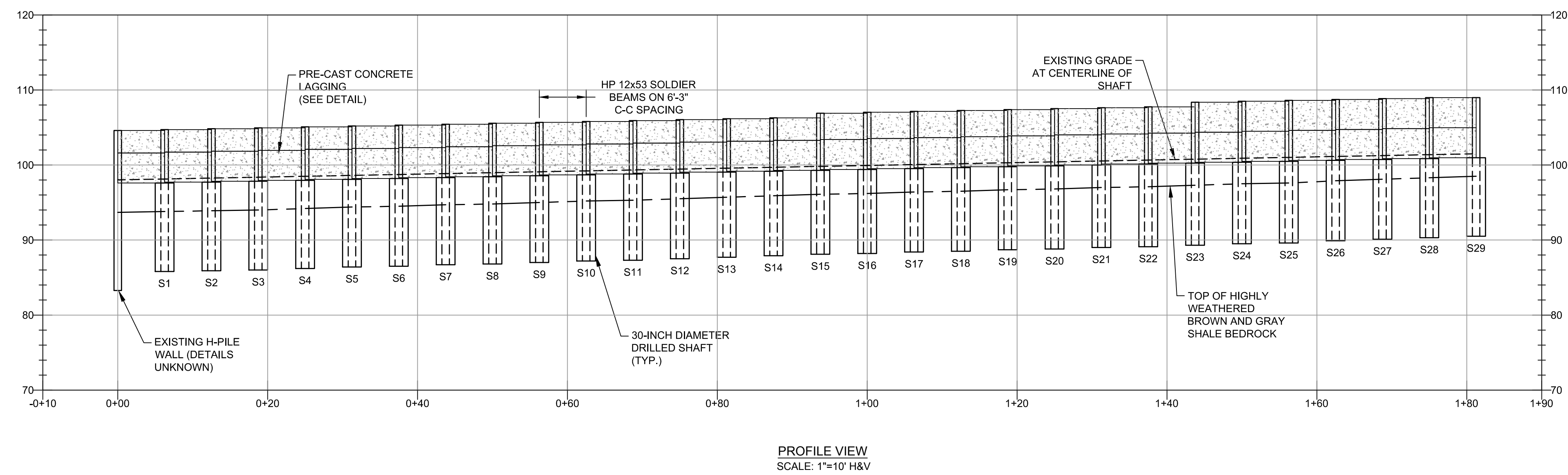
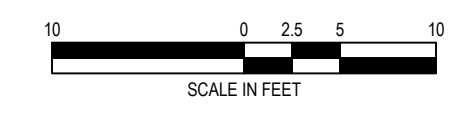
NO.	DATE	BY	DESCRIPTION

SCALE NONE	DATE 10/05/18
DRAWN BY RCH	CHECKED BY DWB
PROJECT NO. CR 22	FILE CR 22 Retaining Wall

DRAWING NO.
SHEET 1 OF 5



NOTE:
BASE MAP PROVIDED BY ROY HENSON
(WARREN COUNTY ENGINEER) ON 10/5/2018.

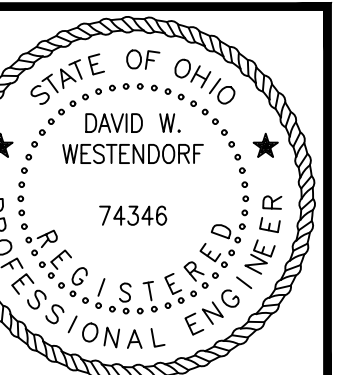


REV.	DATE	BY	DESCRIPTION

PLAN AND PROFILE VIEWS
SOCIALVILLE-FOSTER ROAD RETAINING WALL
WARREN COUNTY ENGINEER'S OFFICE
SOCIALVILLE-FOSTER ROAD
DEERFIELD TOWNSHIP, OHIO

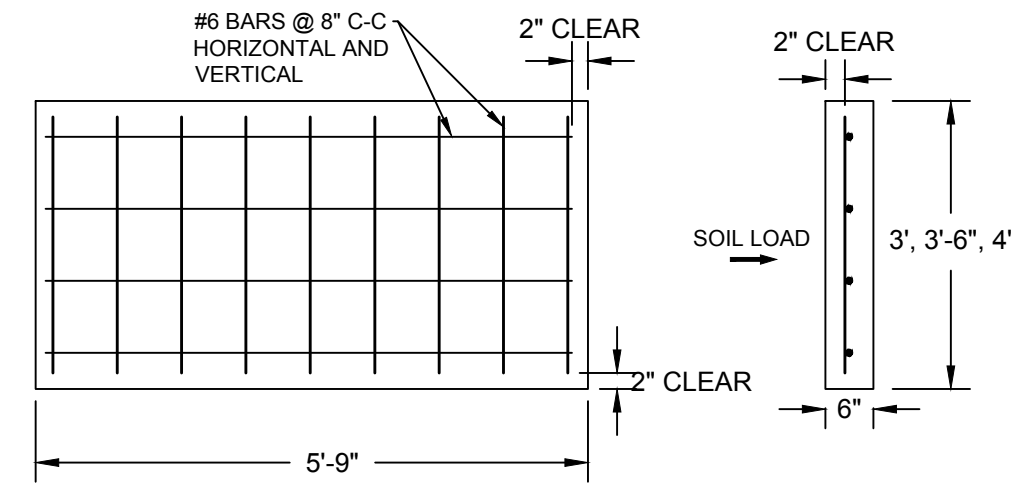
Terracon
Consulting Engineers and Scientists

611 LUNKEN PARK DRIVE
CINCINNATI, OHIO 45226
PH: (513) 321-5816
FAX: (513) 321-4540



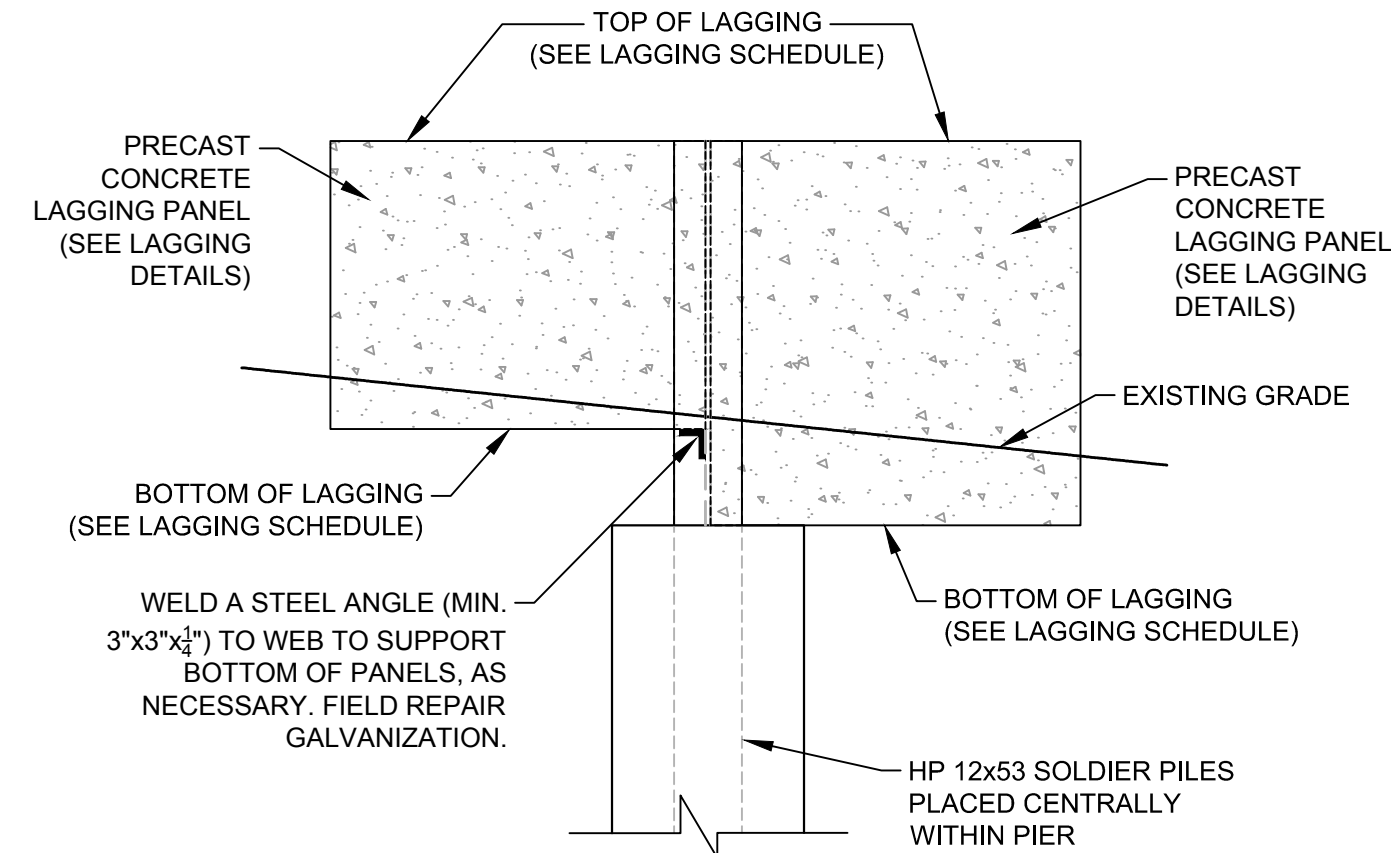
SHEET 2

DESIGNED BY:	ASK
DRAWN BY:	KM
APPVD BY:	DWW
SCALE:	AS SHOWN
DATE:	11/29/2018
JOB NO.:	N1185074
ACAD NO.:	RW.DWG
SHEET NO.:	2

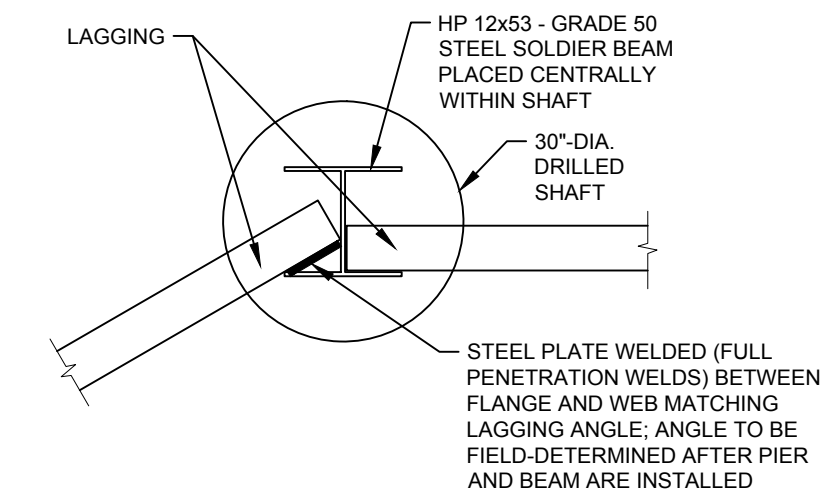


PRECAST CONCRETE PANELS TYPE (2, 3', 4' HIGH) DETAIL
SCALE: 1"=2'

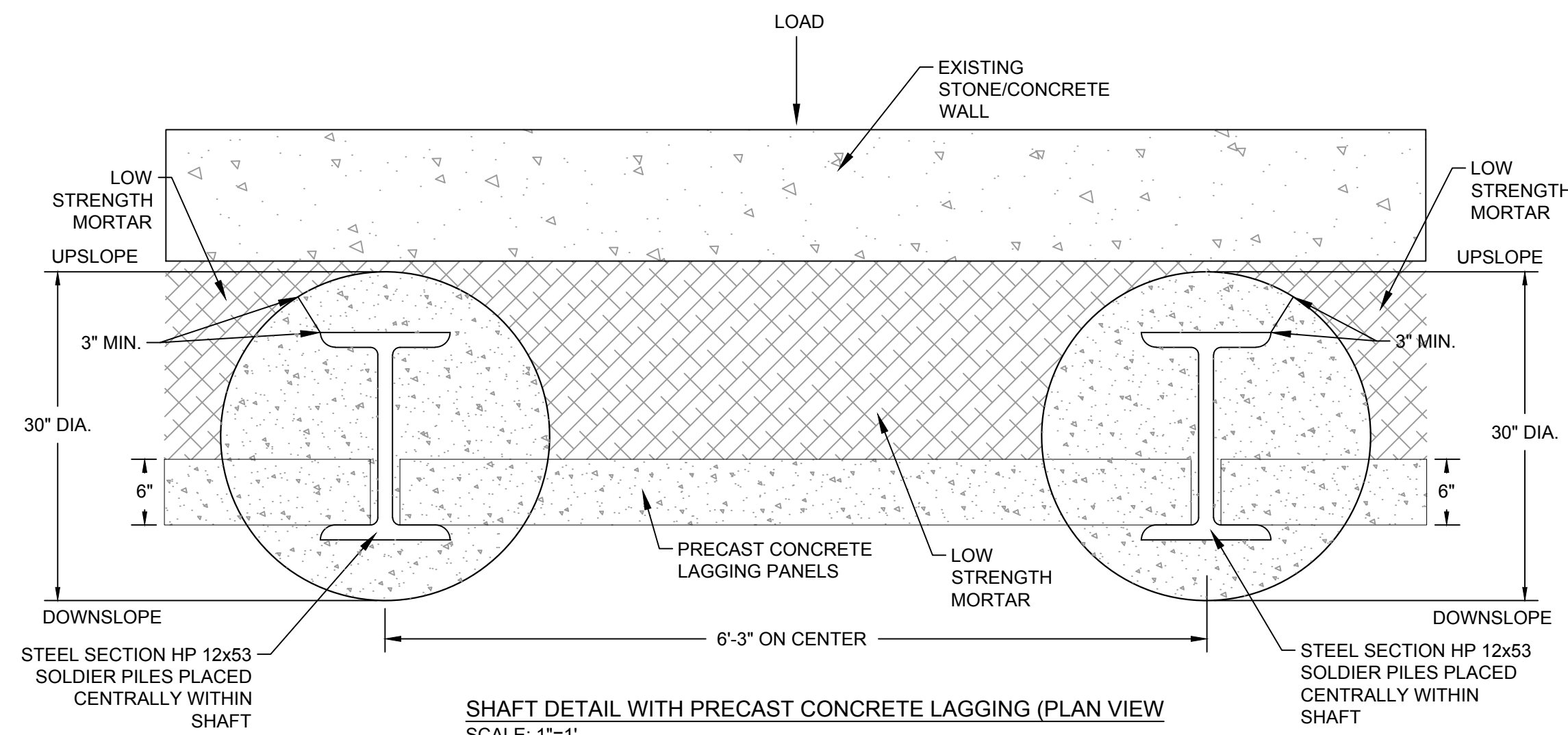
NOTE:
ALL REINFORCEMENT SHOULD BE EPOXY-COATED



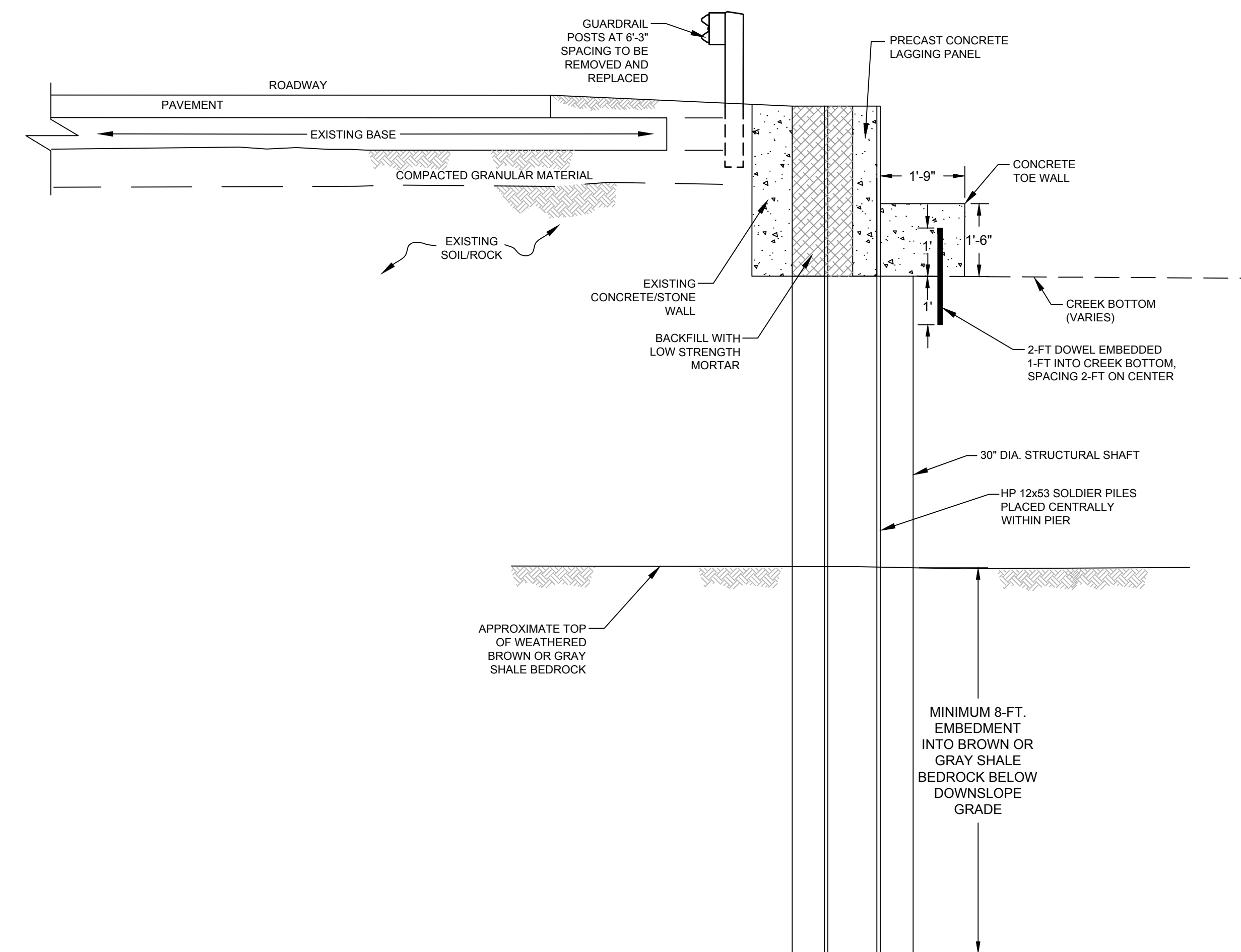
DETAIL AT VERTICAL STEP IN BOTTOM OF LAGGING
SCALE: 1"=2'



ANGLED LAGGING CONNECTION DETAIL
SCALE: NOT TO SCALE



SHAFT DETAIL WITH PRECAST CONCRETE LAGGING (PLAN VIEW)
SCALE: 1"=1'



TYPICAL SECTION
SCALE: 1"=2'

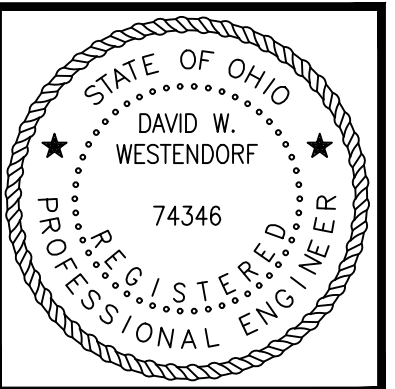
NOTE:
SEE PLAN FOR
APPROXIMATE
GUARDRAIL LOCATION.

REV. DATE BY DESCRIPTION

DETAILS
SOCIALVILLE-FOSTER ROAD RETAINING WALL
WARREN COUNTY ENGINEER'S OFFICE
SOCIALVILLE-FOSTER ROAD
DEERFIELD TOWNSHIP, OHIO

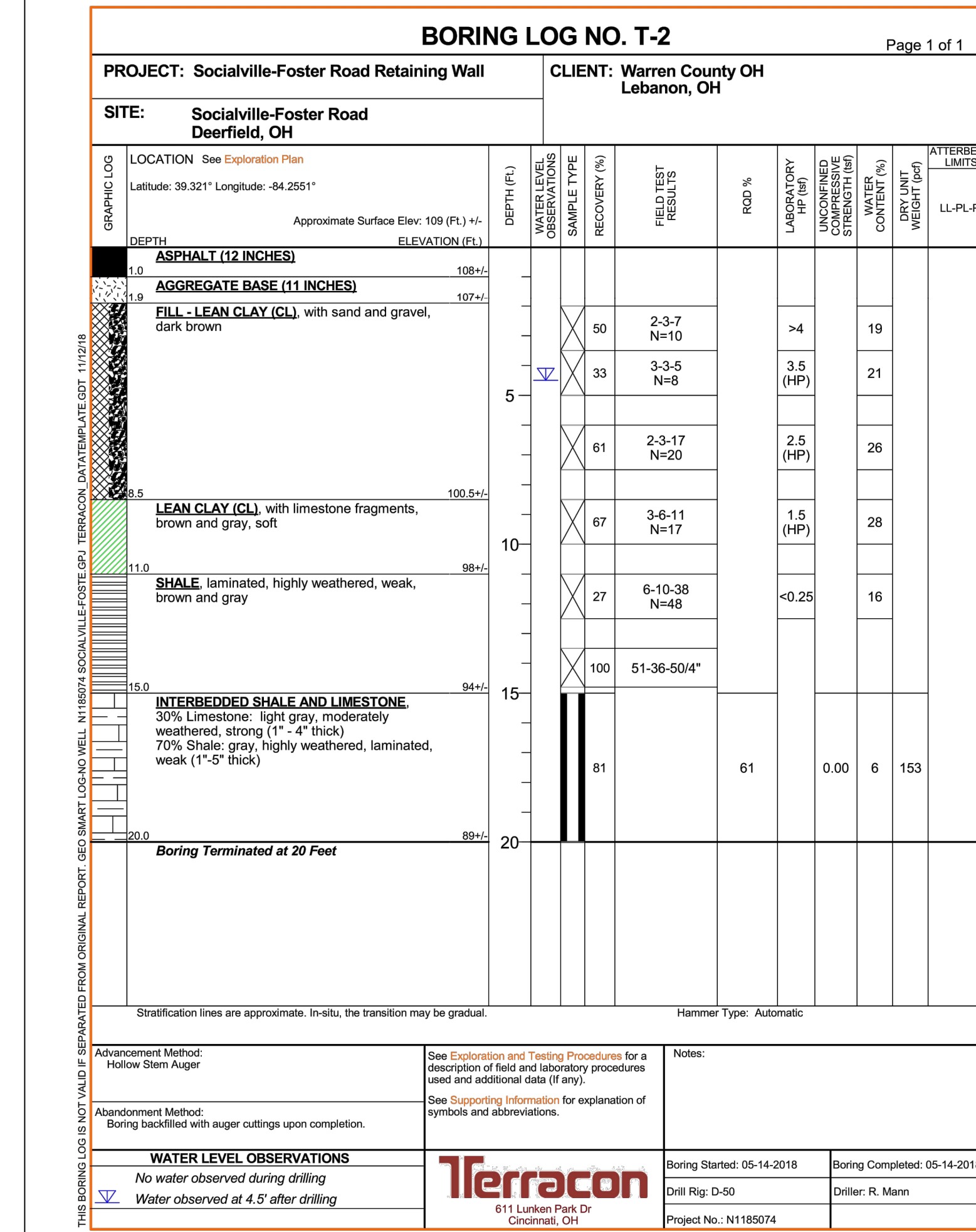
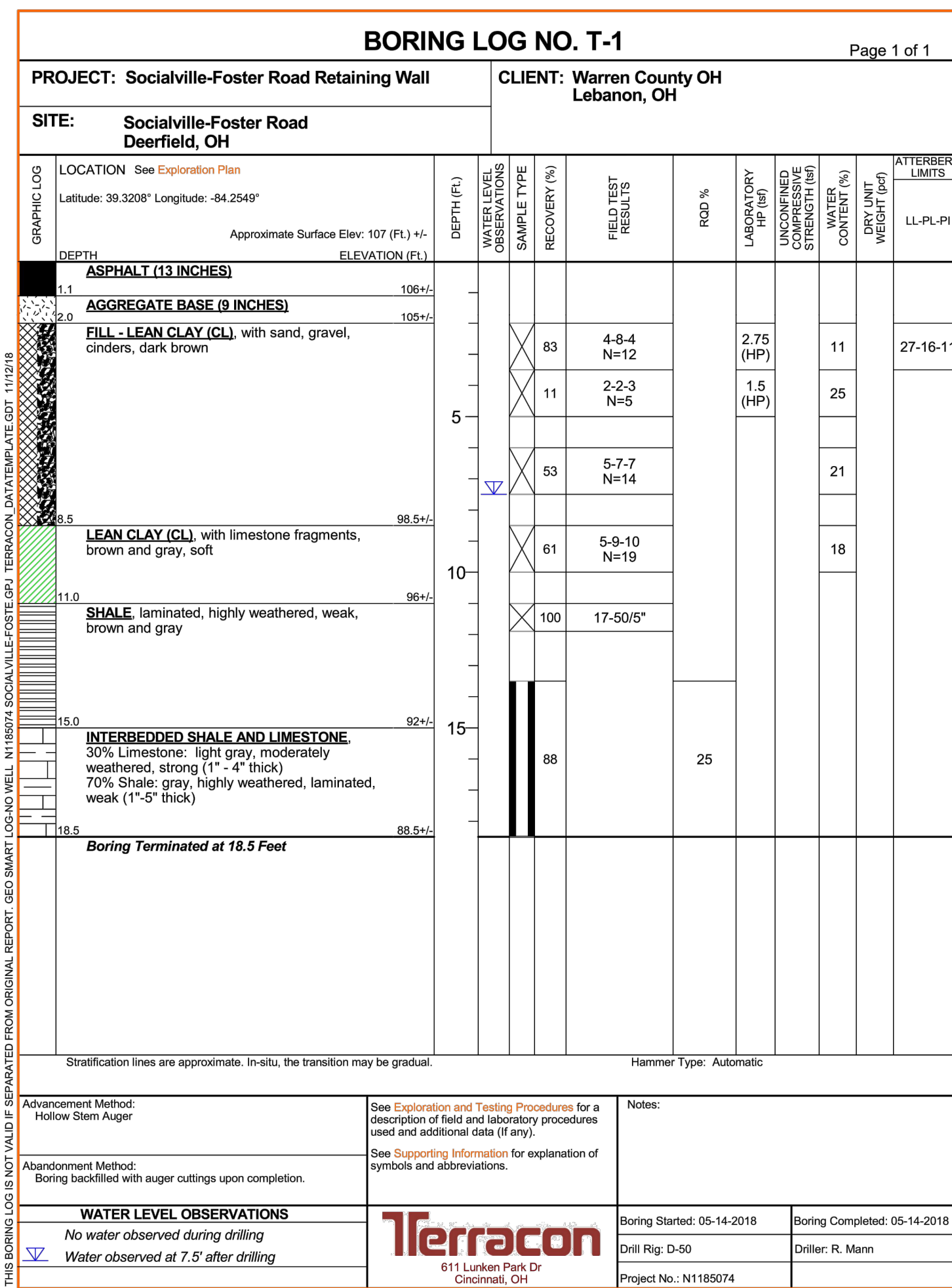
Terracon
Consulting Engineers and Scientists

611 LUNKEN PARK DRIVE
CINCINNATI, OHIO 45226
PH: (513) 521-5816
FAX: (513) 321-4540



SHEET 3

DESIGNED BY:	ASK
DRAWN BY:	KM
APPVD BY:	DWW
SCALE:	AS SHOWN
DATE:	11/29/2018
JOB NO.:	N1185074
ACAD NO.:	RW.DWG
SHEET NO.:	3



CONSTRUCTION NOTES - SOCIALVILLE-FOSTER ROAD - DEERFIELD, OHIO

- DRILLED SHAFT INSTALLATION**
- THE PURPOSE OF THIS WORK IS TO PROVIDE A GRADE SEPARATION WALL THAT IS SOCKETED IN SHALE BEDROCK TO PROVIDE SUPPORT OF THE EXISTING ROADWAY.
 - THE CONTRACTOR IS TO CONSTRUCT THE DRILLED SHAFT RETAINING WALL AS SHOWN AND DESCRIBED ON THESE PLANS. CONTRACTOR IS RESPONSIBLE FOR CLEARING OVERHEAD AND UNDERGROUND UTILITIES AND PROVIDING ACCESS FOR EQUIPMENT. THE DRILLED SHAFT EXCAVATION SHOULD BE UNCLASSIFIED.
 - THE REINFORCED CONCRETE DRILLED SHAFT RETAINING WALL WILL CONSIST OF 30" DIAMETER STRUCTURAL DRILLED SHAFTS SPACED APPROXIMATELY 6.25' ON CENTER, AS SHOWN ON THE PLAN AND PROFILE. APPROXIMATE STRUCTURAL SHAFT LENGTHS ARE SHOWN ON THE STRUCTURAL SHAFT SCHEDULE (SHEET 3); EACH SHAFT SHOULD BE SOCKETED A MINIMUM OF 8 FEET INTO BEDROCK CONSISTING OF BROWN OR GRAY SHALE.
 - THE SHAFTS SHOULD BE LOCATED AS SHOWN ON PLAN WITHIN 6" OF PLAN LOCATION. THE SHAFTS SHOULD MAINTAIN A PLUMBNESS DEVIATION OF A MAXIMUM OF 1" IN 10 FT. VERTICAL HEIGHT. A MINIMUM 3" CONCRETE COVER BETWEEN THE SOLDIER BEAM AND THE EXTERIOR OF THE DRILLED SHAFT SHOULD BE PROVIDED.
 - REINFORCEMENT FOR THE STRUCTURAL SHAFTS SHOULD CONSIST OF ROLLED STEEL SECTIONS HAVING A YIELD STRENGTH OF 50 KSI. ROLLED STEEL SECTIONS SHOULD CONSIST OF HP12X53.
 - THE PRE-DRILLED SHAFT SHOULD BE BACKFILLED WITH STRUCTURAL CONCRETE TO THE TOP OF CONCRETE ELEVATION. STRUCTURAL SHAFT EXCAVATIONS SHOULD NOT EXCEED 2 INCHES PRIOR TO PLACING CONCRETE. IF THE WATER CANNOT BE PUMPED DOWN, TREMIE PLACEMENT METHODS WILL BE REQUIRED.
 - TEMPORARY STEEL CASING SHOULD BE ON SITE AND USED WHEREVER REQUIRED TO STABILIZE LOOSE OR CAVING MATERIALS, OR TO SEAL OFF WATER BEARING ZONES ENCOUNTERED DURING CONSTRUCTION.
 - THE WALL DESIGN IS BASED ON MINIMUM SOCKET LENGTH OF 8 FEET INTO BEDROCK CONSISTING OF BROWN OR GRAY SHALE. IF BEDROCK IS DEEPER THAN INDICATED IN THESE PLANS, TERRACON SHOULD BE NOTIFIED IMMEDIATELY TO REVIEW AND PROVIDE ADDITIONAL RECOMMENDATIONS. SEE TEST BORINGS T-1 AND T-2 FOR ENCOUNTERED SOIL AND BEDROCK CONDITIONS ALONG RETAINING WALL ALIGNMENT.
 - IT IS ANTICIPATED THAT WATER MAY ENTER SOME OF THE SHAFT EXCAVATIONS. THE DEPTH OF PONDED WATER AT THE BOTTOM OF THE SHAFT EXCAVATIONS SHOULD NOT EXCEED 2 INCHES PRIOR TO PLACING CONCRETE. IF THE WATER CANNOT BE PUMPED DOWN, TREMIE PLACEMENT METHODS WILL BE REQUIRED.
 - DRILLED SHAFT EXCAVATIONS SHOULD BE INSPECTED BY A TERRACON REPRESENTATIVE TO CONFIRM THAT THE DRILLED SHAFTS ARE EXCAVATED AND CONSTRUCTED ACCORDING TO THE DESIGN AND SPECIFICATIONS.
 - DRILLED SHAFT SPOILS ARE TO BE REMOVED FROM THE SITE. THE USE OF DRILLED SHAFT SPOILS AS ENGINEERED FILL SHOULD BE DETERMINED IN THE FIELD AT THE TIME OF CONSTRUCTION.
- PRE-CAST CONCRETE LAGGING**
- PRECAST CONCRETE LAGGING WILL BE USED, AS SHOWN IN THE DRAWINGS. CONCRETE LAGGING SHOULD CONSIST OF 6-INCH-DEEP, 6% (2%+/-) AIR ENTRAINMENT 4000 PSI PRECAST CONCRETE PANELS. PANELS SHOULD BE CONSTRUCTED WITH A MINIMUM OF TWO RECESSED LIFTING POINTS ALONG THE TOP EDGE. LIFTING POINTS SHOULD HAVE A MINIMUM RATED WORKING LOAD OF 1 TON AND BE INSTALLED PER THE MANUFACTURER SPECIFICATIONS.
 - PRECAST LAGGING SHOULD BE PROVIDED FROM A STATE-QUALIFIED PRECAST MANUFACTURER. LAGGING SHOULD BE SET FLAT BETWEEN THE FLANGES OF THE HP BEAM AGAINST THE INSIDE OF THE DOWNSLOPE FLANGE.
 - THE CONCRETE USED IN THE PRE-CAST PANELS SHOULD HAVE A MINIMUM STRENGTH OF 4,000 PSI AND AIR ENTRAINMENT BETWEEN FOUR AND SEVEN PERCENT (4% TO 7%).
 - EACH PANEL SHOULD BE PERMANENTLY MARKED TO INDICATE WHICH FACE WILL BE PLACED DOWNSLOPE.
 - PRECAST LAGGING SHOULD EXTEND FROM THE TOP OF THE STRUCTURAL SHAFT CONCRETE TO THE TOP OF THE FINAL SOLDIER BEAM ELEVATION.
 - BACKFILL FOR AREA BETWEEN LAGGING AND EXISTING CONCRETE WALL SHOULD CONSIST OF LOW STRENGTH MORTAR BACKFILL (LSM).

FIELD QUALITY CONTROL

- WARREN COUNTY WILL COORDINATE FIELD CONSTRUCTION INSPECTION AND REPORTING THROUGH IN-HOUSE PERSONNEL OR OTHERS.
- DOCUMENTATION OF EACH SHAFT CONSTRUCTED SHOULD INCLUDE THE FOLLOWING:
 - GROUND SURFACE ELEVATION
 - AS-BUILT TOP AND BOTTOM SHAFT ELEVATIONS
 - DESCRIPTION OF ENCOUNTERED SOIL AND BEDROCK MATERIALS
 - DESCRIPTION, LOCATION, AND DIMENSIONS OF ANY OBSTRUCTIONS ENCOUNTERED
 - DEPTH TO BROWN OR GRAY SHALE BEDROCK
 - FINAL TOP CENTERLINE LOCATION AND DEVIATIONS FROM REQUIREMENTS
 - VARIATION OF SHAFT FROM PLUMBS
 - PROVIDE DESCRIPTION OF DRILLED SHAFT EXCAVATION EQUIPMENT, TOOLS AND METHODS
 - LEVELNESS OF SHAFT BOTTOM AND ADEQUACY OF CLEANOUT
 - GROUNDWATER CONDITIONS AND WATER INFILTRATION RATE, DEPTH, AND PUMPING
 - DESCRIPTION, DIAMETER, AND TOP AND BOTTOM ELEVATIONS OF TEMPORARY OR PERMANENT CASINGS
 - DATE AND TIME OF STARTING AND COMPLETING DRILLING SHAFT EXCAVATION
 - POSITION AND SIZE OF REINFORCEMENT (SOLDIER BEAM)
 - CONCRETE PLACEMENT METHOD, INCLUDING DELAYS
 - ELEVATION OF CONCRETE DURING REMOVAL OF CASING
 - LOCATIONS OF CONSTRUCTION JOINTS, IF ANY
 - REMARKS, UNUSUAL CONDITIONS ENCOUNTERED, AND DEVIATIONS FROM SPECIFICATIONS
 - CONCRETE TESTING RESULTS

Drilled Shaft Schedule Table										
Shaft Number	Shaft Station	Drilled Shaft Diameter (Inches)	Pile Size (Grade 50)	Approximate Existing Edge of Pavement Elevation ¹ (feet) ¹	Approximate Top of Bedrock Elevation ¹ (feet)	Minimum Rock Socket Length (feet)	Approximate Drilled Shaft Bottom Elevation ¹ (feet)	Top Structural Concrete Elevation ¹ (feet)	Top of Soldier Pile Elevation (feet) ¹	Approximate Pile Length (feet)
Existing	0+00	-	-	104.7	-	-	-	-	104.5	-
S1	0+6.25	30	HP12x53	104.8	93.8	8	85.8	97.6	104.6	18.9
S2	0+12.5	30	HP12x53	104.9	93.9	8	85.9	97.7	104.7	18.8
S3	0+18.75	30	HP12x53	105.0	94.0	8	86.0	97.8	104.8	18.8
S4	0+25	30	HP12x53	105.2	94.2	8	86.2	97.9	104.9	18.7
S5	0+31.25	30	HP12x53	105.4	94.4	8	86.4	98.1	105.1	18.8
S6	0+37.5	30	HP12x53	105.5	94.5	8	86.5	98.2	105.2	18.7
S7	0+43.75	30	HP12x53	105.7	94.7	8	86.7	98.3	105.3	18.7
S8	0+50	30	HP12x53	105.8	94.8	8	86.8	98.4	105.4	18.6
S9	0+56.25	30	HP12x53	106.0	95.0	8	87.0	98.6	105.6	18.7
S10	0+62.5	30	HP12x53	106.2	95.2	8	87.2	98.7	105.7	18.6
S11	0+68.75	30	HP12x53	106.3	95.3	8	87.3	98.8	105.8	18.5
S12	0+75	30	HP12x53	106.5	95.5	8	87.5	98.9	105.9	18.4
S13	0+81.25	30	HP12x53	106.7	95.7	8	87.7	99.0	106.0	18.4
S14	0+87.5	30	HP12x53	106.9	95.9	8	87.9	99.2	106.3	18.5
S15	0+93.75	30	HP12x53	107.1	96.1	8	88.1	99.3	106.9	18.9
S16	1+00	30	HP12x53	107.2	96.2	8	88.2	99.4	107.0	18.8
S17	1+6.25	30	HP12x53	107.4	96.4	8	88.4	99.5	107.2	18.9
S18	1+12.5	30	HP12x53	107.5	96.5	8	88.5	99.7	107.3	18.8
S19	1+18.75	30	HP12x53	107.7	96.7	8	88.7	99.8	107.4	18.8
S20	1+25	30	HP12x53	107.8	96.8	8	88.8	99.9	107.5	18.7
S21	1+31.25	30	HP12x53	108.0	97.0	8	89.0	100.0	107.6	18.7
S22	1+37.5	30	HP12x53	108.1	97.1	8	89.1	100.1	107.8	18.7
S23	1+43.75	30	HP12x53	108.3	97.3	8	89.3	100.3	108.4	19.1
S24	1+50	30	HP12x53	108.5	97.5	8	89.5	100.4	108.5	19.1
S25	1+56.25	30	HP12x53	108.6	97.6	8	89.6	100.5	108.6	19.0
S26	1+62.5	30	HP12x53	108.9	97.9	8	89.9	100.6	108.7	18.9
S27	1+68.75	30	HP12x53	109.1	98.1	8	90.1	100.7	108.9	18.9
S28	1+75	30	HP12x53	109.3	98.3	8	90.3	100.9	109.0	18.8
S29	1+81.25	30	HP12x53	109.5	98.5	8	90.5	101.0	109.0	18.5

1. ELEVATIONS BASED ON LOCAL REFERENCE SYSTEM SHOWN IN SITE PLANS PROVIDED BY WARREN COUNTY.

Lagging Table			
Shafts	Top of Lagging Elevation (feet) ¹	Bottom of Lagging Elevation (feet) ¹	Total Lagging Height ² (feet)
Existing	-	1	104.5
1	-	2	104.6
2	-	3	104.7
3	-	4	104.8
4	-	5	104.9
5	-	6	105.1
6	-	7	105.2
7	-	8	105.3
8	-	9	105.4
9	-	10	105.6
10	-	11	105.7
11	-	12	105.8
12	-	13	105.9
13	-	14	106.0
14	-	15	106.3
15	-	16	106.9
16	-	17	107.0
17	-	18	107.2
18	-	19	107.3
19	-	20	107.4
20	-	21	107.5
21	-	22	107.6
22	-	23	107.8
23	-	24	108.4
24	-	25	108.5
25	-	26	108.6
26	-	27	108.7
27	-	28	108.9
28	-	29	109.0

1. ELEVATIONS BASED ON LOCAL REFERENCE SYSTEM SHOWN IN SITE PLANS PROVIDED BY WARREN COUNTY.
2. SEE PROFILE FOR TYPE AND HEIGHT OF PANELS.

REVISIONS

REV.	DATE	BY	DESCRIPTION

BORING LOGS, SCHEDULES, AND CONSTRUCTION NOTES

SOCIALVILLE-FOSTER ROAD RETAINING WALL
WARREN COUNTY ENGINEER'S OFFICE
 SOCIALVILLE-FOSTER ROAD
 DEERFIELD TOWNSHIP, OHIO

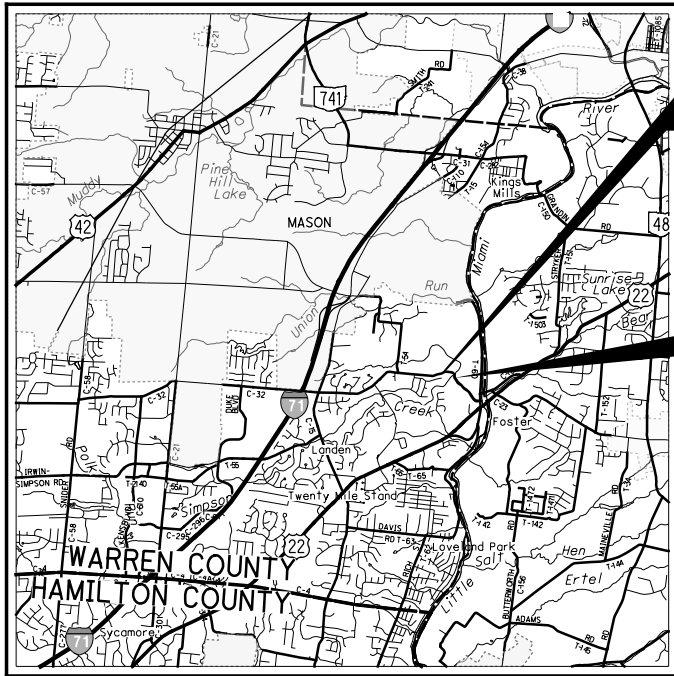
Terracon
 Consulting Engineers and Scientists
 611 LUNKEN PARK DRIVE
 CINCINNATI, OHIO 45226
 PH: (513) 321-5816 FAX: (513) 321-4540



SHEET 4

DESIGNED BY:	ASK
DRAWN BY:	KM
APP'D BY:	DWW
SCALE:	AS SHOWN
DATE:	11/29/2018
JOB NO.:	N1185074
ACAD NO.:	RW.DWG
SHEET NO.:	4

O:\DOT\WAR\Socialville-Fosters Road_Bridge_CR32-5.14_GTO01.dgn Sheet 11/26/2018 9:40:58 AM scott-w



LOCATION MAP

LATITUDE: 39°19'27" LONGITUDE: 84°15'51"



PORTION TO BE IMPROVED	=====
INTERSTATE HIGHWAY	=====
FEDERAL ROUTES	=====
STATE ROUTES	=====
COUNTY & TOWNSHIP ROADS	=====
OTHER ROADS	=====

DESIGN DESIGNATION

CURRENT ADT (2019)	7,100
DESIGN YEAR ADT (2039)	8,500
DESIGN HOURLY VOLUME (2039)	850
DIRECTIONAL DISTRIBUTION	0.60
TRUCKS (24 HOUR B&C)	0.03
DESIGN SPEED	40 MPH
LEGAL SPEED	40 MPH
DESIGN FUNCTIONAL CLASSIFICATION:	
URBAN LOCAL ROAD	
NHS PROJECT	NO

DESIGN EXCEPTIONS

NONE REQUIRED

UNDERGROUND UTILITIES
CONTACT BOTH SERVICES TWO WORKING DAYS BEFORE YOU DIG.

Call Before You Dig
1-800-362-2764

(Non-members must be called directly)

OIL & GAS PRODUCERS UNDERGROUND PROTECTION SERVICE
1-800-925-0988

PLAN PREPARED BY:

PALMER ENGINEERING
8350 EAST KEMPER ROAD - SUITE B
CINCINNATI, OH 45249
WINCHESTER • NASHVILLE • LOUISVILLE
CINCINNATI • AKRON • TALLAHASSEE • ORLANDO

ENGINEERS SEAL:

SIGNED: *[Signature]*
DATE: 11/19/18

ENGINEERS SEAL:

SIGNED: *[Signature]*
DATE: 11/19/18

WAR-CR32-5.14

SOCIALVILLE-FOSTERS ROAD

DEERFIELD TOWNSHIP

WARREN COUNTY

INDEX OF SHEETS:

TITLE SHEET	1
TYPICAL SECTIONS	2
GENERAL NOTES	3
MAINTENANCE OF TRAFFIC	4 - 5
GENERAL SUMMARY	6
ESTIMATED QUANTITIES	7
PLAN AND PROFILE	8 - 9
CROSS SECTIONS	10 - 15
GUARDRAIL DETAILS	16
GUARDRAIL PLAN INSERT SHEETS	17 - 24
TRAFFIC CONTROL	25 - 26
STRUCTURES 20' AND OVER	27 - 37
BRIDGE NO. WAR-32-0514	

STANDARD CONSTRUCTION DRAWINGS				SUPPLEMENTAL SPECIFICATIONS	SPECIAL PROVISIONS
BP-3.1	7/18/14	MT-101.60	1/20/17	800-2016 10/19/18	
BP-5.1	7/20/18	MT-105.10	7/19/13	832 10/19/18	
DM-4.3	1/15/16	TC-41.20	10/18/13		
DM-4.4	1/15/16	TC-42.20	10/18/13		
		TC-61.30	1/20/17		
DBR-2-73	7/19/02				
DS-1-92	7/18/03				
PSBD-2-07	7/20/18				

PROJECT DESCRIPTION

SUPERSTRUCTURE REPLACEMENT OF BRIDGE WAR-CR32-0514 OVER SIMPSON CREEK. PROJECT INCLUDES MINIMAL APPROACH WORK, GUARDRAIL REPLACEMENT, SIGNING AND STRIPING. NO WORK WILL OCCUR IN-STREAM.

EARTH DISTURBED AREAS

PROJECT EARTH DISTURBED AREA: 0.1 ACRES
 ESTIMATED CONTRACTOR EARTH DISTURBED AREA: 0.2 ACRES
 NOTICE OF INTENT EARTH DISTURBED AREA: N/A ACRES (ROUTINE MAINTENANCE)

2016 SPECIFICATIONS

THE STANDARD SPECIFICATIONS OF THE STATE OF OHIO, DEPARTMENT OF TRANSPORTATION, INCLUDING SUPPLEMENTAL SPECIFICATIONS LISTED IN THE PLANS AND CHANGES LISTED IN THE PROPOSAL SHALL GOVERN THIS IMPROVEMENT.

I HEREBY APPROVE THESE PLANS AND DECLARE THAT THE MAKING OF THIS IMPROVEMENT WILL REQUIRE THE CLOSING TO TRAFFIC OF THE HIGHWAY AND THAT DE-TOURS WILL BE PROVIDED AS INDICATED ON SHEET 5.

APPROVED _____
DATE _____ WARREN COUNTY COMMISSIONER

APPROVED _____
DATE _____ WARREN COUNTY COMMISSIONER

APPROVED _____
DATE _____ WARREN COUNTY COMMISSIONER

APPROVED _____
DATE _____ WARREN COUNTY ENGINEER

FEDERAL PROJECT NO. _____

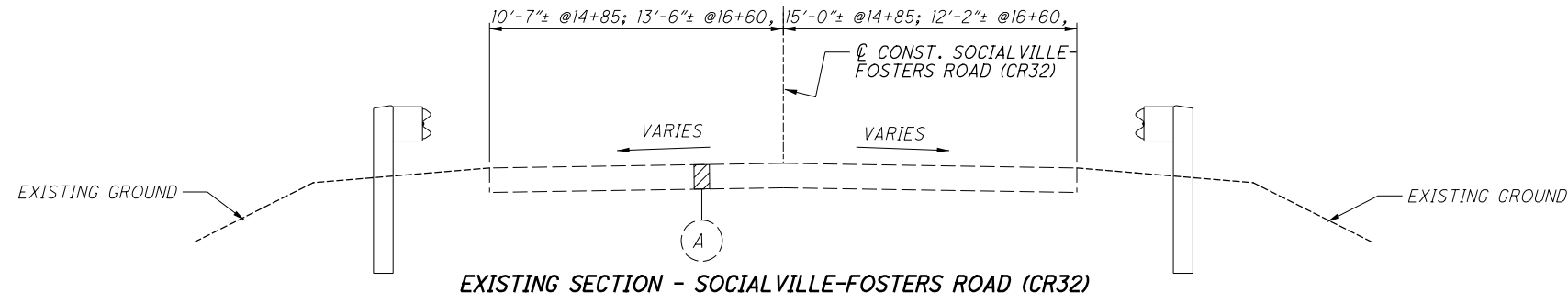
CONSTRUCTION PROJECT NO. _____

RAILROAD INVOLVEMENT **NONE**

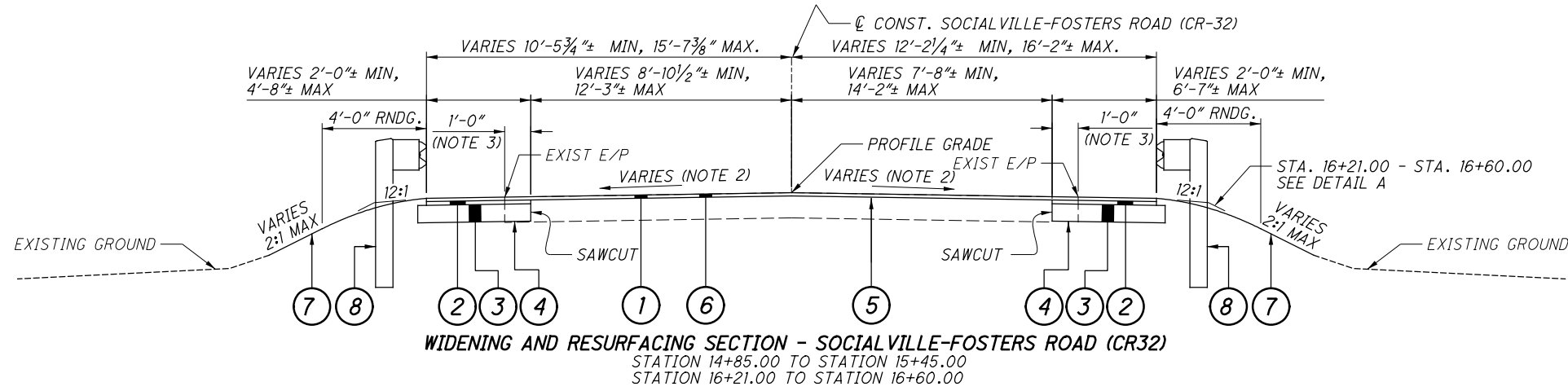
WAR-CR32-5.14

1/37

O:\DDOT\WAR\Socialville-Fosters Road_Bridge_CR32_5.14\Design\Roadway\Sheets\CR32_5.14_GY001.dgn Sheet 11/16/2018 2:24:11PM chris-s

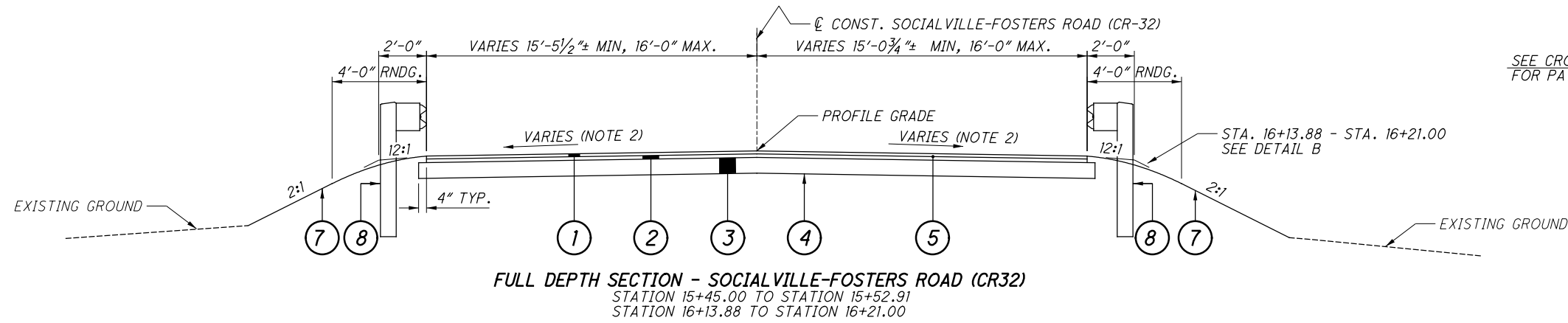


EXISTING SECTION - SOCIALVILLE-FOSTERS ROAD (CR32)



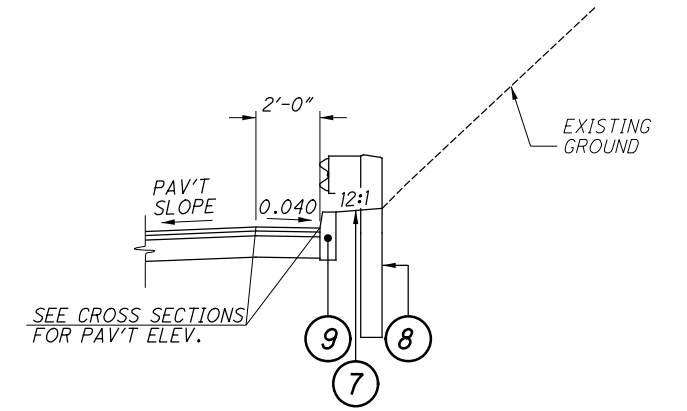
WIDENING AND RESURFACING SECTION - SOCIALVILLE-FOSTERS ROAD (CR32)

STATION 14+85.00 TO STATION 15+45.00
STATION 16+21.00 TO STATION 16+60.00

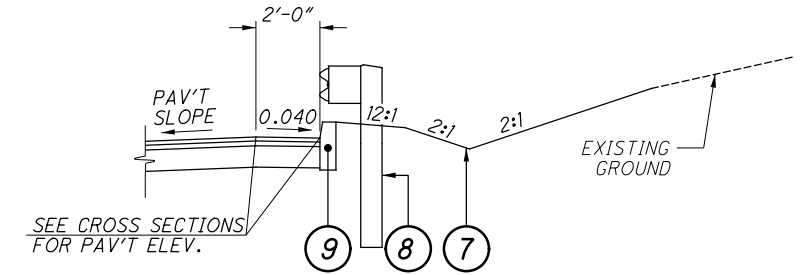


FULL DEPTH SECTION - SOCIALVILLE-FOSTERS ROAD (CR32)

STATION 15+45.00 TO STATION 15+52.91
STATION 16+13.88 TO STATION 16+21.00



DETAIL A
STATION 16+21.00 TO STATION 16+60.00 - RIGHT



DETAIL B
STATION 16+13.88 TO STATION 16+21.00 - RIGHT

NOTES

- 1) EDGES OF PAVEMENT NOT PARALLEL TO CENTERLINE, FOR DETAILS SEE SHEET 16 .
- 2) SLOPE VARIES TO MEET EXISTING SLOPE
- 3) 1'-0" MINIMUM OR UNTIL SOUND PAVEMENT IS REACHED

PROPOSED ITEM LEGEND

- | | |
|--|--|
| ① ITEM 441 - 1/2" ASPHALT CONCRETE SURFACE COURSE, TYPE 1, (448), PG 64-22 | ⑤ ITEM 407 - TACK COAT |
| ② ITEM 441 - 1/2" ASPHALT CONCRETE INTERMEDIATE COURSE, TYPE 1, (448) | ⑥ ITEM 254 - PAVEMENT PLANING, ASPHALT CONCRETE (1 1/2") |
| ③ ITEM 301 - 9" ASPHALT CONCRETE BASE, PG 64-22 | ⑦ ITEM 659 - SEEDING AND MULCHING |
| ④ ITEM 204 - SUBGRADE COMPACTION | ⑧ ITEM 606 - GUARDRAIL, TYPE 5, WITH 9 FOOT POSTS |

EXISTING LEGEND

- Ⓐ ASPHALT CONCRETE, THICKNESS UNKNOWN

TYPICAL SECTIONS

WAR-CR32-5.14

ROUNDING

THE ROUNDING AT SLOPE BREAKPOINTS SHOWN ON THE TYPICAL SECTIONS APPLIES TO ALL CROSS-SECTIONS EVEN THOUGH OTHERWISE SHOWN.

UTILITIES

LISTED BELOW ARE ALL UTILITIES LOCATED WITHIN THE PROJECT CONSTRUCTION LIMITS TOGETHER WITH THEIR RESPECTIVE OWNERS:

ELECTRIC:
DUKE ENERGY
2010 DANA AVENUE, ROOM EF324
CINCINNATI, OH 45207
TROY DITTMER: 513-458-3844; 513-504-0082 (MOBILE)
Troy.Dittmer@Duke-Energy.com

TELECOMMUNICATIONS:
CINCINNATI BELL
221 E. 4th STREET, 121-900
CINCINNATI, OH 45202
MIKE WILLIAMS: 513-565-6024; 513-484-5073 (MOBILE)
Mike.Williams@cinbell.com

CABLE T.V.:
CHARTER SPECTRUM
11254 CORNELL PARK DRIVE, SUITE 430B
CINCINNATI, OH 45242
JIM O'REILLY: 513-386-5483; 513-233-5685 (MOBILE)
jim.oreilly@charter.com

THERE ARE NO KNOWN UNDERGROUND UTILITIES ON THIS PROJECT.

WORK LIMITS

THE WORK LIMITS SHOWN ON THESE PLANS ARE FOR PHYSICAL CONSTRUCTION ONLY. PROVIDE THE INSTALLATION AND OPERATION OF ALL WORK ZONE TRAFFIC CONTROL AND WORK ZONE TRAFFIC CONTROL DEVICES REQUIRED BY THESE PLANS WHETHER INSIDE OR OUTSIDE THESE WORK LIMITS.

CLEARING AND GRUBBING

REMOVE ALL TREES AND STUMPS SPECIFICALLY MARKED FOR REMOVAL WITHIN THE CONSTRUCTION LIMITS UNDER THE LUMP SUM BID FOR ITEM 201, CLEARING AND GRUBBING. THE FOLLOWING IS AN APPROXIMATE ESTIMATE OF THE NUMBER OF TREES AND STUMPS TO BE REMOVED.

SIZES	NO. TREES	NO. STUMPS	TOTAL
18"	2	0	2

SEEDING AND MULCHING

QUANTITIES ARE PROVIDED ON THE GENERAL SUMMARY TO PROMOTE GROWTH AND CARE OF PERMANENT SEEDED AREAS:

SEEDING AND MULCHING SHALL BE APPLIED TO ALL AREAS OF EXPOSED SOIL BETWEEN THE RIGHT-OF-WAY LINES, AND WITHIN THE CONSTRUCTION LIMITS FOR AREAS OUTSIDE THE RIGHT-OF-WAY LINES COVERED BY WORK AGREEMENT OR SLOPE EASEMENT. QUANTITY CALCULATIONS FOR SEEDING AND MULCHING ARE BASED ON THESE LIMITS.

SURVEYING PARAMETERS

PRIMARY PROJECT CONTROL MONUMENTS GOVERN ALL POSITIONING ON THIS PROJECT. SEE THIS SHEET FOR A TABLE CONTAINING PROJECT CONTROL INFORMATION.

USE THE FOLLOWING PROJECT CONTROL, VERTICAL POSITIONING, AND HORIZONTAL POSITIONING PARAMETERS FOR ALL SURVEYING:

PROJECT CONTROL

POSITIONING METHOD: ODOT VRS
MONUMENT TYPE: TYPE B

VERTICAL POSITIONING

ORTHOMETRIC HEIGHT DATUM: NAVD88
GEOID: GEOID12A

HORIZONTAL POSITIONING

REFERENCE FRAME: NAD83
ELLIPSOID: GRS80
MAP PROJECTION: LAMBERT CONFORMAL CONIC
COORDINATE SYSTEM: OHIO STATE PLANE SOUTH ZONE
COMBINED SCALE FACTOR: 0.99991049
ORIGIN OF COORDINATE SYSTEM: 0,0

USE THE POSITIONING METHODS AND MONUMENT TYPE USED IN THE ORIGINAL SURVEY TO RESTORE ALL MONUMENTS RELATED TO PRIMARY PROJECT CONTROL THAT ARE DAMAGED OR DESTROYED BY CONSTRUCTION ACTIVITIES. RESTORE THE DAMAGED OR DESTROYED MONUMENTS IN ACCORDANCE WITH CMS 623.

UNITS ARE IN U.S. SURVEY FEET.

CONNECTION BETWEEN EXISTING AND PROPOSED GUARDRAIL

WHEN IT IS NECESSARY TO SPLICE PROPOSED GUARDRAIL TO EXISTING GUARDRAIL, ONLY THE EXISTING GUARDRAIL SHALL BE CUT, DRILLED, OR PUNCHED. THE CONNECTION SHALL BE MADE USING A W-BEAM, BEAM SPLICE AS SHOWN IN AASHTO M 180-12, EXCEPT THE BEAM WASHERS ARE NOT TO BE USED. PAYMENT SHALL BE INCLUDED IN THE CONTRACT PRICE FOR THE RESPECTIVE GUARDRAIL ITEMS.

ITEM 606 - BRIDGE TERMINAL ASSEMBLY, TYPE 4, AS PER PLAN

THIS ITEM SHALL CONSIST OF THE CONSTRUCTION OF A CURVED BRIDGE TERMINAL ASSEMBLY, TYPE 4, AS PER THE DETAILS ON SHEET 16 AND PER PIS GR-3.4

PAYMENT FOR THE WORK SHALL BE MADE AT THE UNIT PRICE BID, PER EACH, FOR ITEM 606 - BRIDGE TERMINAL ASSEMBLY, TYPE 4, AS PER PLAN AND SHALL INCLUDE ALL MATERIALS NECESSARY TO CONSTRUCT THE ASSEMBLY.

HORIZONTAL CONTROL POINTS

POINT NUMBER	GRID COORDINATES (U.S. SURVEY FOOT)		GROUND COORDINATES (U.S. SURVEY FOOT)		STATION	OFFSET	ELEVATION	DESCRIPTION
	NORTHING	EASTING	NORTHING	EASTING				
CP#1	487,239.108	1,470,275.942	487,282.724	1,470,407.557	N/A	N/A	717.052	TYPE B - SET IRON PIN WITH AL CAP
CP#2	487,333.265	1,470,600.137	487,376.890	1,470,731.781	10+23.080	8.12 LT	692.231	TYPE B - SET IRON PIN WITH AL CAP

O:\ODOT\WAR\Socialville-Fosters Road Bridge_CR32-5.14\Design\Roadway\Sheets\CR32-5.14_GN001.dgn Sheet 1/16/2018 2:24:42 PM chr1s-s

CALCULATED
DPF
CHECKED
BJF

GENERAL NOTES

WAR - CR32 - 5.14

O:\DDOT\WAR\Socialville-Fosters Road Bridge_CR32-5.14\Design\MOT\Sheets\CR32-5.14_MN001.dgn Sheet 11/16/2018 2:24:13 PM chris-s

ITEM 614, MAINTAINING TRAFFIC

BEFORE THE WORK BEGINS, THE CONTRACTOR SHALL SUBMIT TO THE ENGINEER THE NAMES AND TELEPHONE NUMBERS OF THE PERSON OR PERSONS WHO CAN BE CONTACTED (24) HOURS PER DAY BY THE WARREN COUNTY ENGINEER AND ALL INTERESTED POLICE AGENCIES. THIS PERSON OR PERSONS SHALL BE RESPONSIBLE FOR PLACING OR REPLACING NECESSARY TRAFFIC CONTROL DEVICES IN ACCORDANCE WITH THE OHIO MANUAL OF UNIFORM TRAFFIC CONTROL DEVICES.

THE CONTRACTOR SHALL MAINTAIN THE INGRESS AND EGRESS TO THE DRIVES WITHIN OR NEAR THE PROJECT WORK LIMITS AT ALL TIMES BY THE USE OF THE EXISTING AND PROPOSED PAVEMENT AND DRIVES.

TWO NOTICE OF CLOSURE SIGNS (W20-H14-60), SHALL BE ERECTED BY THE CONTRACTOR PRIOR TO THE SCHEDULED ROAD OR RAMP CLOSURE IN ACCORDANCE WITH THE NOTICE OF CLOSURE TIME TABLE BELOW. THESE SIGNS SHALL STATE THE FOLLOWING:

SOCIALVILLE-FOSTERS ROAD WILL BE CLOSED FOR 12 WEEKS STARTING <EXACT CLOSURE DATE>

THE SIGNS SHALL BE ERECTED ON THE RIGHT-HAND SIDE OF THE ROAD/RAMP FACING TRAFFIC. THEY SHALL BE PLACED SO AS NOT TO INTERFERE WITH THE VISIBILITY OF ANY OTHER TRAFFIC CONTROL SIGNS. ON ROADWAYS, THEY SHOULD BE ERECTED AT OR NEAR THE POINT OF CLOSURE. THE SIGNS MAY BE ERECTED ANYWHERE ON RAMP AS LONG AS THEY ARE VISIBLE TO THE MOTORISTS USING THE RAMP. ON ENTRANCE RAMP, THE SIGN SHALL BE ERECTED WELL IN ADVANCE OF THE MERGE AREA TO AVOID DISTRACTING MOTORISTS.

NOTICE OF CLOSURE SIGN TIME TABLE

ITEM	DURATION OF CLOSURE	SIGN DISPLAYED TO PUBLIC
RAMP & ROAD CLOSURE	> 2 WEEKS	14 CALENDAR DAY
	> 12 HOURS & < 2 WEEKS	7 CALENDAR DAYS
	< 12 HOURS	2 BUSINESS DAYS

THE CONTRACTOR SHALL PROVIDE, ERECT AND MAINTAIN STANDARD 48 X 30 INCH ROAD CLOSED SIGNS, SIGN SUPPORTS, BARRICADES AND LIGHTS, AS DETAILED IN SCD MT-101.60 AT THE FOLLOWING LOCATIONS DURING PERIODS IN WHICH THE AFFECTED ROADS ARE CLOSED TO TRAFFIC.

SEE SHEET 5 FOR LOCATIONS

ALL WORK AND TRAFFIC CONTROL DEVICES SHALL BE IN ACCORDANCE WITH C&MS 614 AND OTHER APPLICABLE PORTIONS OF THE SPECIFICATIONS, AS WELL AS THE OHIO MANUAL OF UNIFORM TRAFFIC CONTROL DEVICES. PAYMENT FOR ALL LABOR, EQUIPMENT AND MATERIALS SHALL BE INCLUDED IN THE LUMP SUM CONTRACT PRICE FOR ITEM 614, MAINTAINING TRAFFIC, UNLESS SEPARATELY ITEMIZED IN THE PLAN.

DETOUR SIGNING

THE CONTRACTOR SHALL ERECT, MAINTAIN AND REMOVE THE DETOUR SIGNING AS SHOWN ON SHEET 5. THE PAYMENT FOR ALL THE MATERIAL, LABOR AND EQUIPMENT TO PERFORM THIS WORK SHALL BE INCLUDED IN THE LUMP SUM BID FOR ITEM 614 - MAINTAINING TRAFFIC

NOTIFICATION

THE CONTRACTOR SHALL NOTIFY THE WARREN COUNTY ENGINEER TWO (2) WEEKS PRIOR TO BEGINNING WORK.

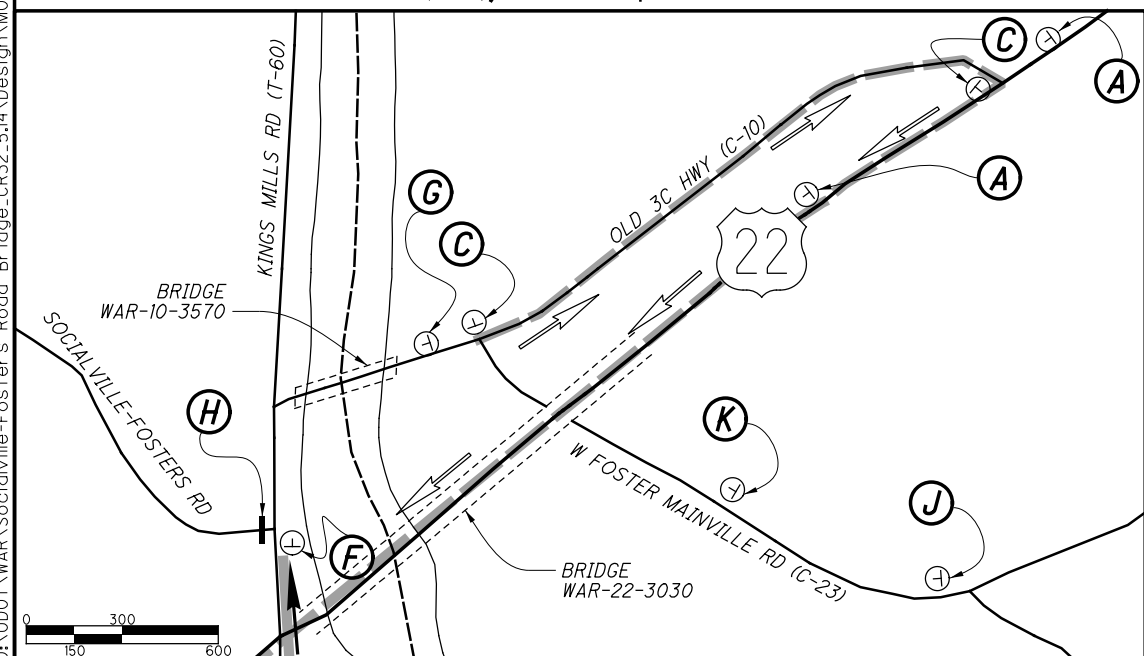
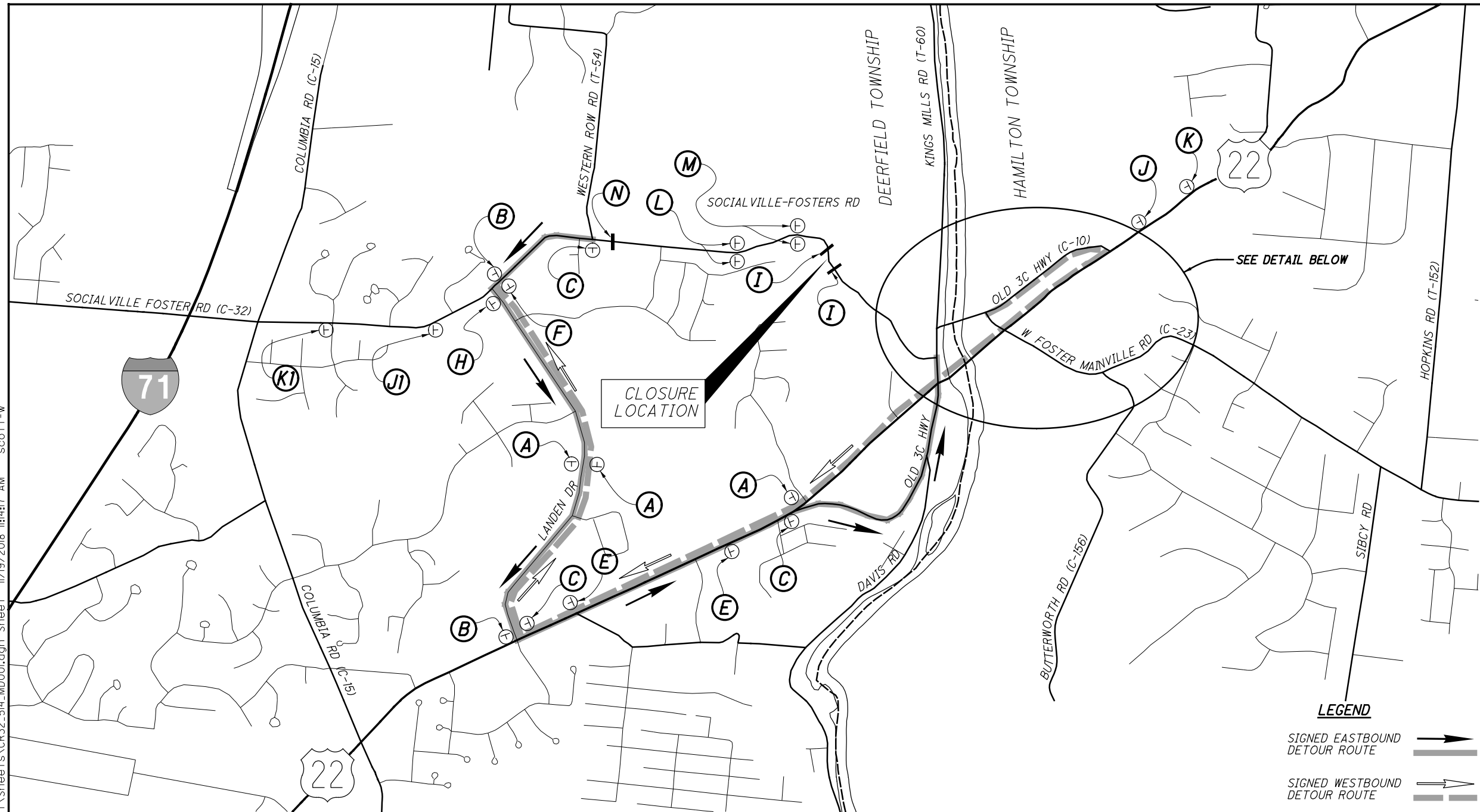
ALL LOCAL SCHOOLS AND EMERGENCY SERVICES WHICH ARE LIKELY TO UTILIZE THIS SEGMENT OF CR 32 (SOCIALVILLE-FOSTERS ROAD) ARE TO BE NOTIFIED OF THE DETOUR NOT LESS THAN TWO (2) WEEKS PRIOR TO THE ROAD CLOSURE.

CALCULATED
DPF
CHECKED
BJF

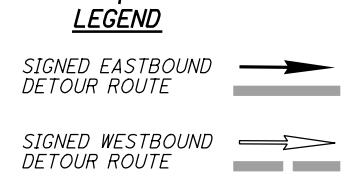
MAINTENANCE OF TRAFFIC GENERAL NOTES

WAR-CR32-5.14

O:\DOT\WAR\Socialville-Fosters Road_Bridge_CR32-5.14\Design\MOT\Sheets\CR32-5.14_MD001.dgn Sheet 11/9/2018 11:47 AM scott-w



<p>A</p> <p>DETOUR SOCIALVILLE-FOSTERS RD</p> <p>↑</p> <p>M4-8-24 D3-2 M6-3-21</p>	<p>B</p> <p>DETOUR SOCIALVILLE-FOSTERS RD</p> <p>←</p> <p>M4-8-24 D3-2 M6-1-L-21</p>	<p>C</p> <p>DETOUR SOCIALVILLE-FOSTERS RD</p> <p>→</p> <p>M4-8-24 D3-2 M6-1-R-21</p>	<p>D</p> <p>DETOUR SOCIALVILLE-FOSTERS RD</p> <p>↙</p> <p>M4-8-24 D3-2 M5-1-L-21</p>
<p>E</p> <p>DETOUR SOCIALVILLE-FOSTERS RD</p> <p>↘</p> <p>M4-8-24 D3-2 M5-1-R-21</p>	<p>F</p> <p>END DETOUR SOCIALVILLE-FOSTERS RD</p> <p>M4-8A-24 D3-2</p>	<p>G</p> <p>SOCIALVILLE-FOSTERS RD CLOSED AHEAD</p> <p>TYPE 3 BARRICADE W/LIGHTS</p>	<p>H</p> <p>DETOUR ROAD CLOSED TO THRU TRAFFIC OPEN TO ADDRESS</p> <p>TYPE 3 BARRICADE W/LIGHTS</p> <p>M4-10R-48 R11-4-48 TYPE 3 BARRICADE W/LIGHTS</p>



<p>I</p> <p>ROAD CLOSED</p> <p>R11-2-48 TYPE 3 BARRICADE PER MT 101.60</p>
<p>J</p> <p>DETOUR AHEAD</p> <p>SOCIALVILLE-FOSTERS RD</p> <p>W20-2-36 D3-2</p>
<p>J1 - NO D3-2 SIGN</p> <p>K</p> <p>ROAD CLOSED AHEAD</p> <p>SOCIALVILLE-FOSTERS RD</p> <p>W20-3-36 D3-2</p>
<p>K1 - NO D3-2 SIGN</p> <p>L</p> <p>ROAD CLOSED AHEAD</p> <p>1000 FT</p> <p>W20-3-36 D3-2</p>
<p>M</p> <p>ROAD CLOSED AHEAD</p> <p>500 FT</p> <p>W20-3-36 D3-2</p>
<p>N</p> <p>OPEN TO ADDRESS</p> <p>ROAD CLOSED MILES AHEAD LOCAL TRAFFIC ONLY</p> <p>TYPE 3 BARRICADE W/LIGHTS</p>

ROADWAY SUBSUMMARY

REF. NO.	SHEET NO.	STATION		SIDE	LENGTH	202	601	606		609	
		FROM	TO			GUARDRAIL REMOVED	ROCK CHANNEL PROTECTION, TYPE D WITH FILTER	GUARDRAIL, TYPE 5, USING 9 FOOT POSTS	BTA, TYPE 4, AS PER PLAN	ANCHOR ASSEMBLY, TYPE T	CURB, TYPE 6
		FT				FT	EACH	EACH	FT		
R1	8	14+56.63	16+63.05	LT	206.4	206					
R2	8	14+88.24	16+27.20	RT	139.0	139					
EC1	8	16+60.45	16+66.45	RT	6.0		1				
GR1	8	14+58.05	15+54.30	LT	112.5			100.0	1	1	
GR2	8	14+88.24	15+46.99	RT	50.0			50.0	1		
GR3	8	16+12.49	16+71.24	RT	62.5			50.0	1	1	
GR4	8	16+19.80	16+63.05	LT	50.0			50.0	1		
C1	8	16+12.04	16+60.46	RT	48.4					49	
TOTALS CARRIED TO GENERAL SUMMARY						345	1	250.0	4	2	49

CROSS SECTION SUBSUMMARY

SHEET NO.	STATION		203		659
			EXCAVATION	EMBANKMENT	SEEDING AND MULCHING
	FROM	TO	CY	CY	SY
11	14+75.00	15+00.00	3	0	21
12	15+25.00	15+52.91	25	17	92
13	16+13.88	16+25.00	13	2	18
14	16+50.00	16+60.00	10	2	31
15	16+75.00	17+00.00	1	0	3
COLUMN TOTALS			52	21	165
TOTALS CARRIED TO GENERAL SUMMARY					
203 - EXCAVATION			52		CY
203 - EMBANKMENT			21		CY
659 - SEEDING AND MULCHING			165		SY
659 - REPAIR SEEDING AND MULCHING			8		SY
659 - TOPSOIL			18		CY
659 - COMMERCIAL FERTILIZER			0.02		TON
659 - WATER			1		MGAL

ESTIMATED QUANTITIES

WAR - CR32 - 5.14

CALCULATED
CCS
CHECKED
DPF

O:\DDOT\WAR\Socialville-Fosters Road Bridge_CR32-5.14\Design\Roadway\Sheets\CR32-5.14_GP001.dgn Sheet 11/16/2018 2:24:17 PM chris-s

APN# 16-16-400-003
WM. L. & AUDREY B. BAILEY
2204 SOCIALVILLE-FOSTERS RD.

APN# 16-16-164-011
COUNTRYWOOD

APN# 16-16-164-010
DEERFIELD TOWNSHIP
BOARD OF TRUSTEES
2104 SOCIALVILLE-FOSTER RD.

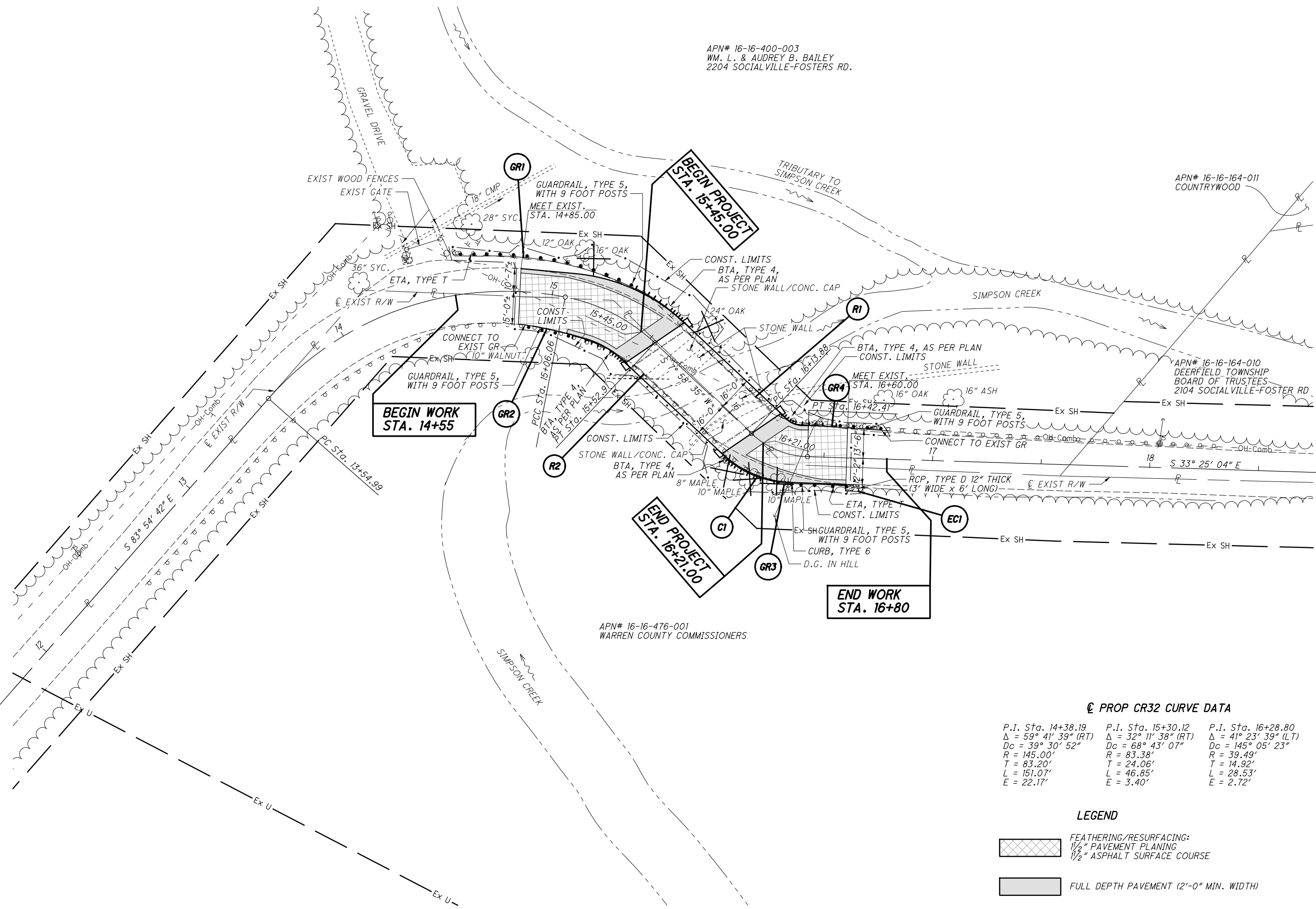
APN# 16-16-476-001
WARREN COUNTY COMMISSIONERS



CALCULATED
DPF
CHECKED
BJF

PLAN - SOCIALVILLE FOSTERS ROAD
STA 12+00 TO STA 18+50

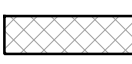

WAR-CR32-5.14



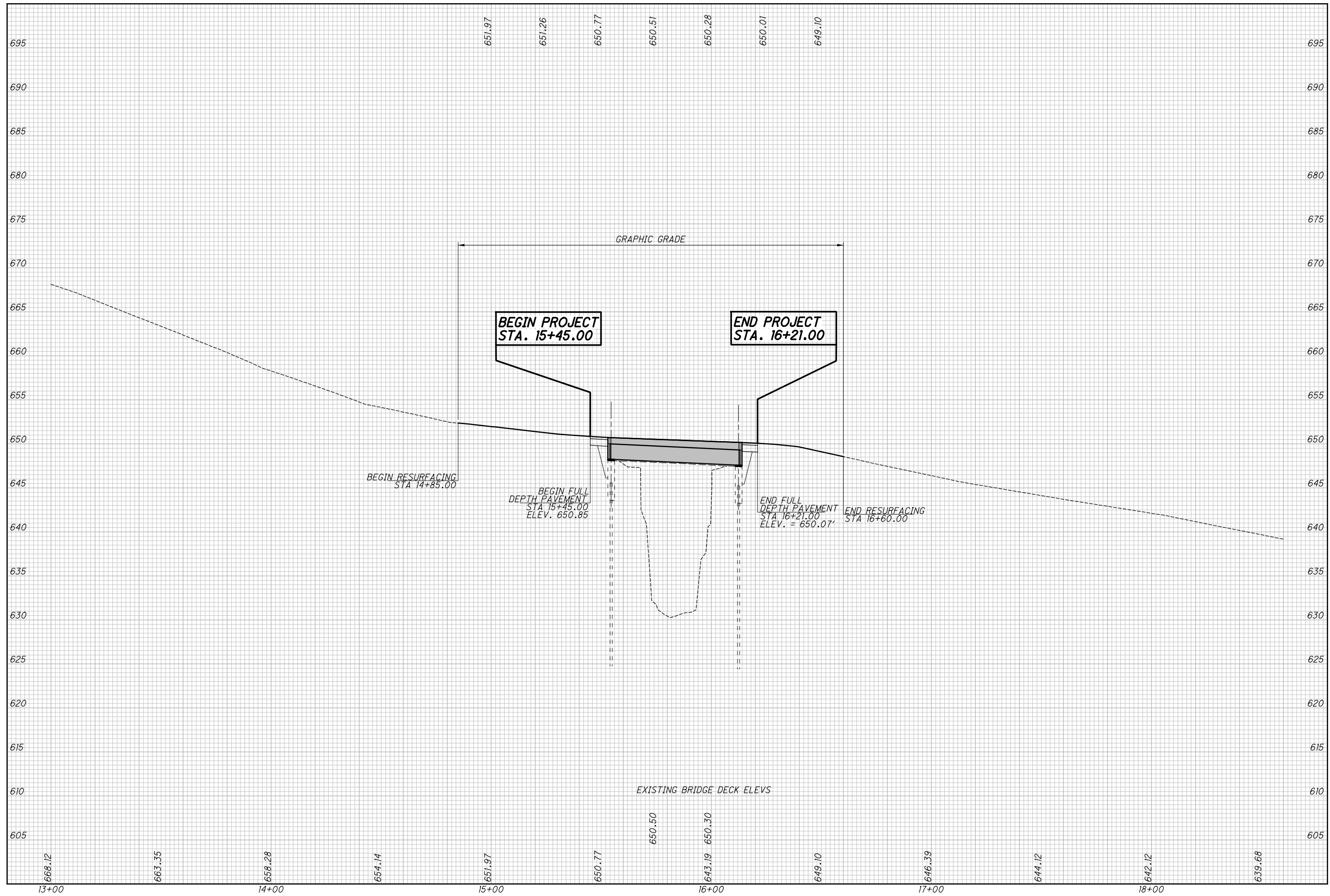
PROP CR32 CURVE DATA

P.I. Sta.	P.I. Sta.	P.I. Sta.
14+38.19	15+30.12	16+28.80
$\Delta = 59^\circ 41' 39''$ (RT)	$\Delta = 32^\circ 11' 38''$ (RT)	$\Delta = 41^\circ 23' 39''$ (LT)
$Dc = 39^\circ 30' 52''$	$Dc = 68^\circ 43' 07''$	$Dc = 145^\circ 05' 23''$
$R = 145.00'$	$R = 83.38'$	$R = 39.49'$
$T = 83.20'$	$T = 24.06'$	$T = 14.92'$
$L = 151.07'$	$L = 46.85'$	$L = 28.53'$
$E = 22.17'$	$E = 3.40'$	$E = 2.72'$

LEGEND

-  FEATHERING/RESURFACING:
1 1/2" PAVEMENT PLANING
1 1/2" ASPHALT SURFACE COURSE
-  FULL DEPTH PAVEMENT (2'-0" MIN. WIDTH)

0:\0001\WAR\Socialville-Fosters Road Bridge_CR32_5.14\Design\Roadway\Sheets\CR32_5.14_GF001.dgn Sheet 11/16/2018 2:24:18 PM chr1's-s

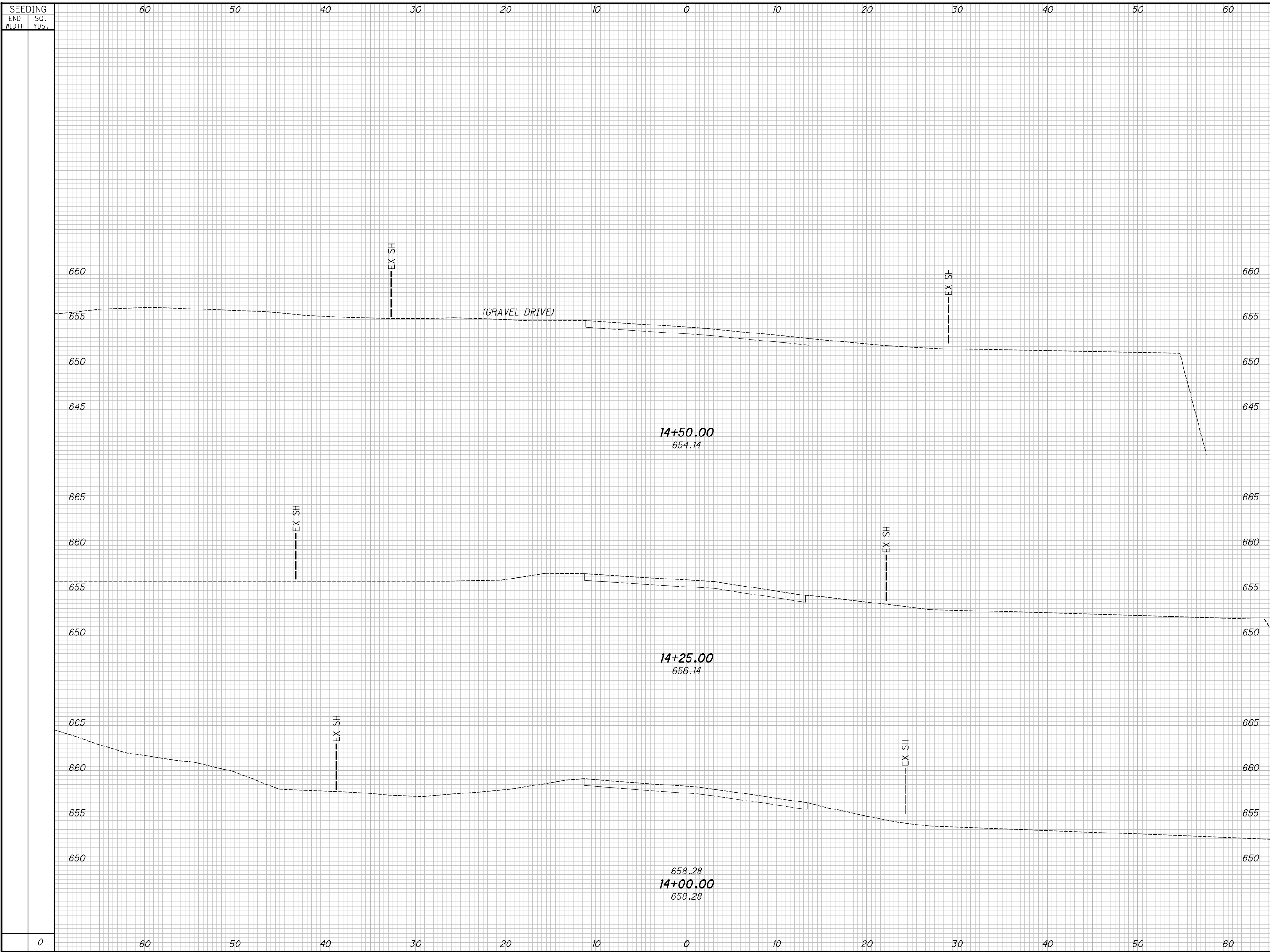


CALCULATED
DPF
CHECKED
BJF

PROFILE

WAR - CR32 - 5.14

O:\000T\WAR\Socialville-Fosters Road_Bridge_CR32_5.14\Design\Roadway\Sheets\CR32_5.14_X500.dgn Sheet 11/16/2018 2:24:19 PM chr1s-s



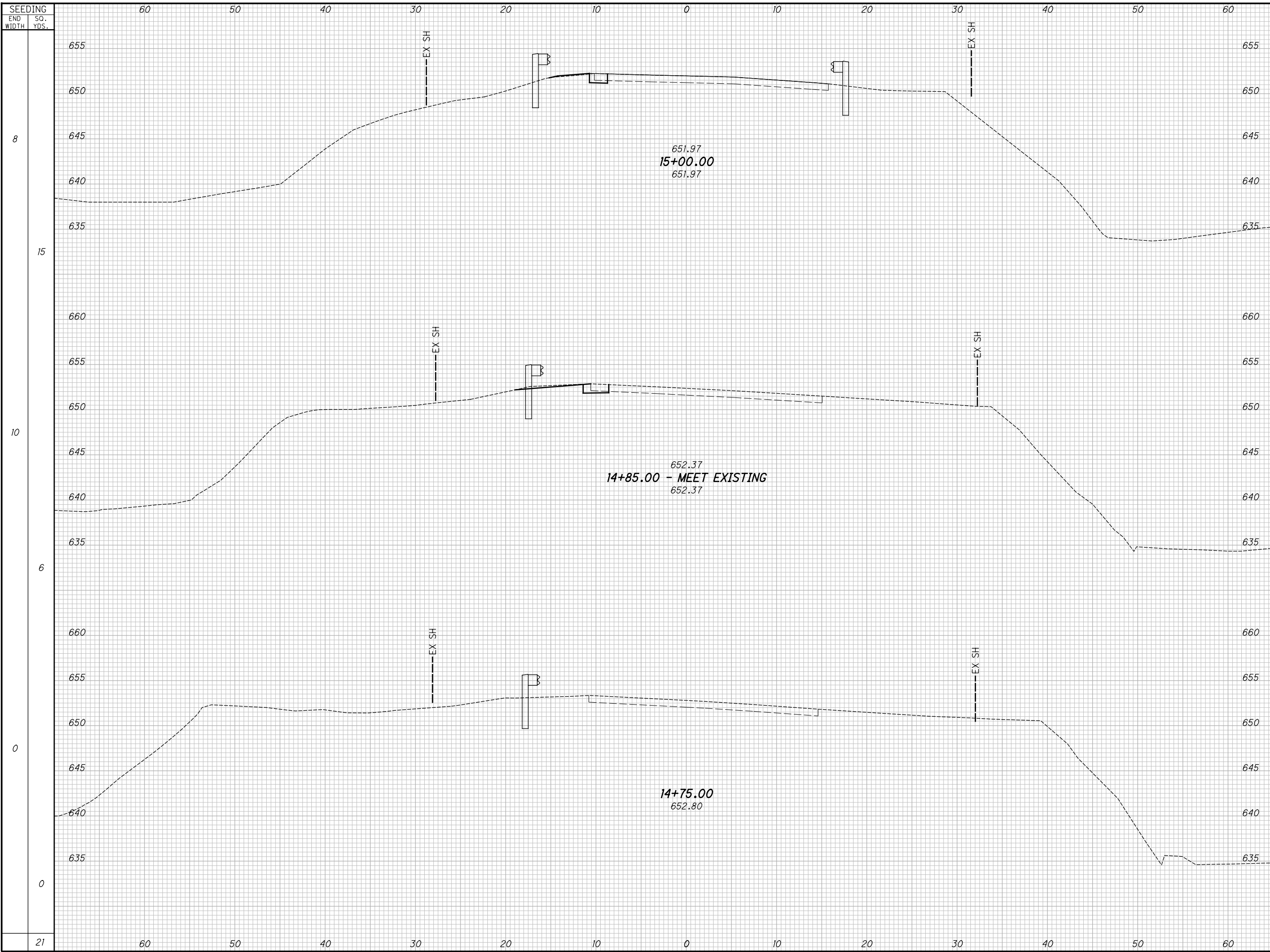
SEEDING		END AREA		VOLUME		CALCULATED	
END WIDTH	SO. YDS.	CUT	FILL	CUT	FILL	DPF	CHECKED
0				0	0		BJF

CROSS SECTIONS CR 32 (SOCIALVILLE-FOSTERS RD)
STA. 14+00.00 TO STA. 14+50.00

WAR-CR32-5.14

10
37

O:\000T\WAR\Socialville-Fosters Road_Bridge_CR32_5.14\Design\Roadway\Sheets\CR32_5.14_X500.dgn Sheet 11/16/2018 2:24:20 PM chrjs-s

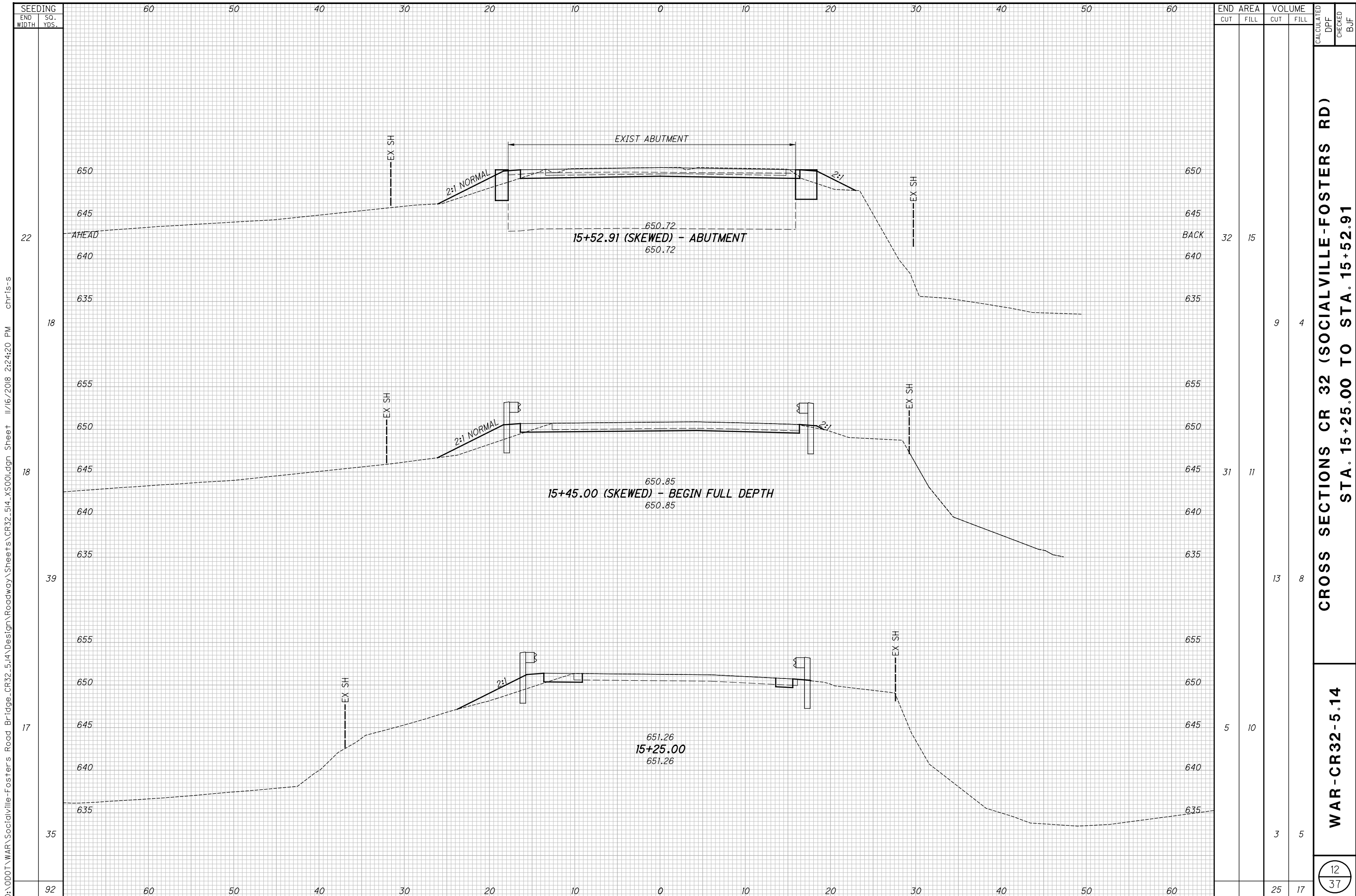


SEEDING		END AREA		VOLUME		CALCULATED	
END WIDTH	SO. YDS.	CUT	FILL	CUT	FILL	DPF	CHECKED
8		2	0				
15				2	0		
10		4	0				
6				1	0		
0		0	0				
0				0	0		
21				3	0		

**CROSS SECTIONS CR 32 (SOCIALVILLE-FOSTERS RD)
STA. 14+75.00 TO STA. 15+00.00**

WAR-CR32-5.14

11
37



SEEDING
END SO.
WIDTH YDS.

22
18
18
39
17
35

60 50 40 30 20 10 0 10 20 30 40 50 60

650
645
640
635

650
645
640
635

655
650
645
640
635

655
650
645
640
635

655
650
645
640
635

60 50 40 30 20 10 0 10 20 30 40 50 60

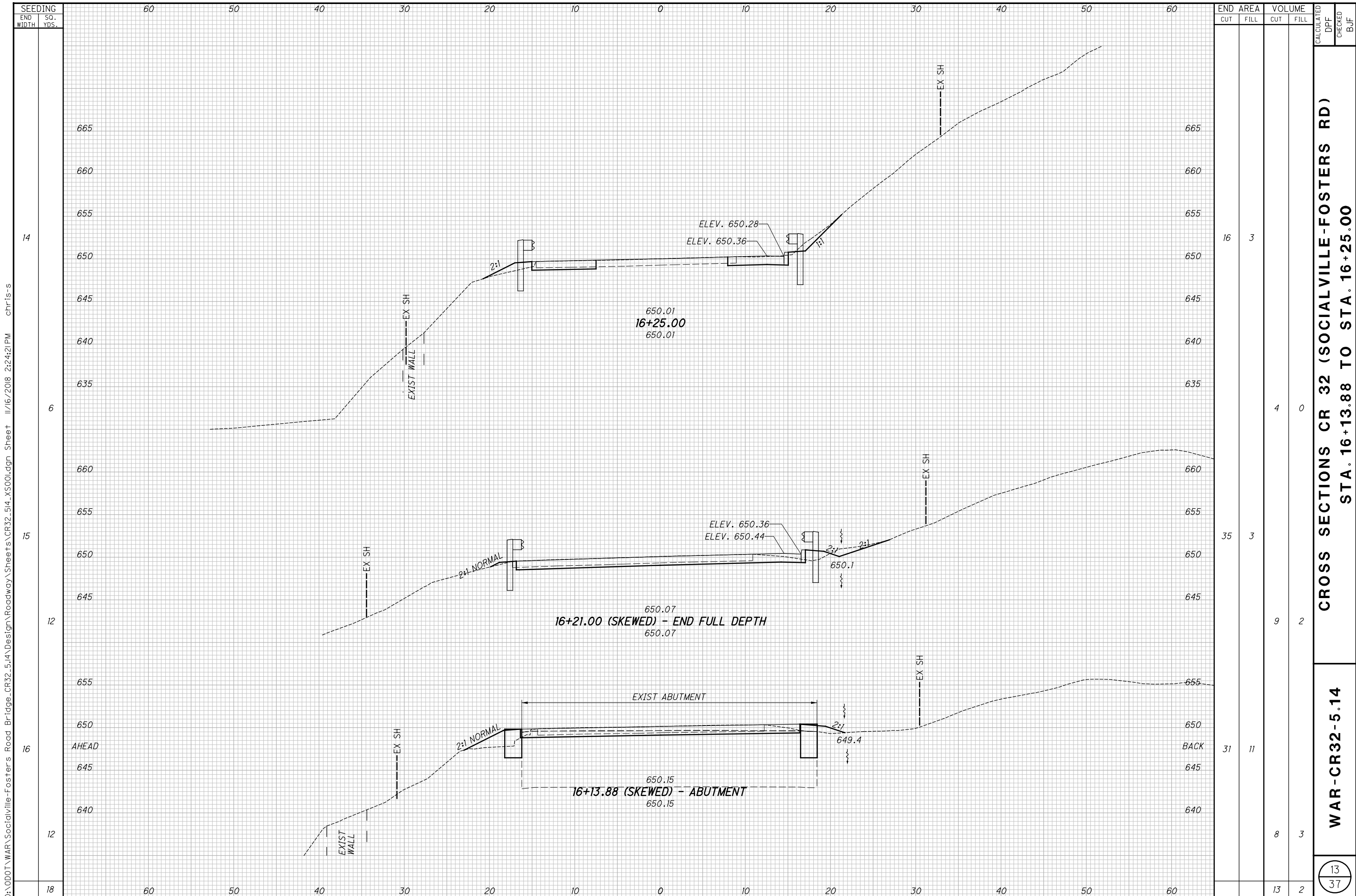
END AREA	VOLUME	CALCULATED	CHECKED		
				CUT	FILL
32	15				
31	11				
5	10				
		3	5		
		25	17		

CROSS SECTIONS CR 32 (SOCIALVILLE-FOSTERS RD)
STA. 15+25.00 TO STA. 15+52.91

WAR-CR32-5.14

12
37

O:\ODOT\WAR\Socialville-Fosters Road_Bridge_CR32_5.14\Design\Roadway\Sheets\CR32_5.14_X500.dgn Sheet 11/16/2018 2:24:20 PM chr1s-s



SEEDING
END SO.
WIDTH YDS.

60 50 40 30 20 10 0 10 20 30 40 50 60

14
6
15
12
16
12

665
660
655
650
645
640
635
660
655
650
645
640
655
650
645
640
655
650
645
640

60 50 40 30 20 10 0 10 20 30 40 50 60

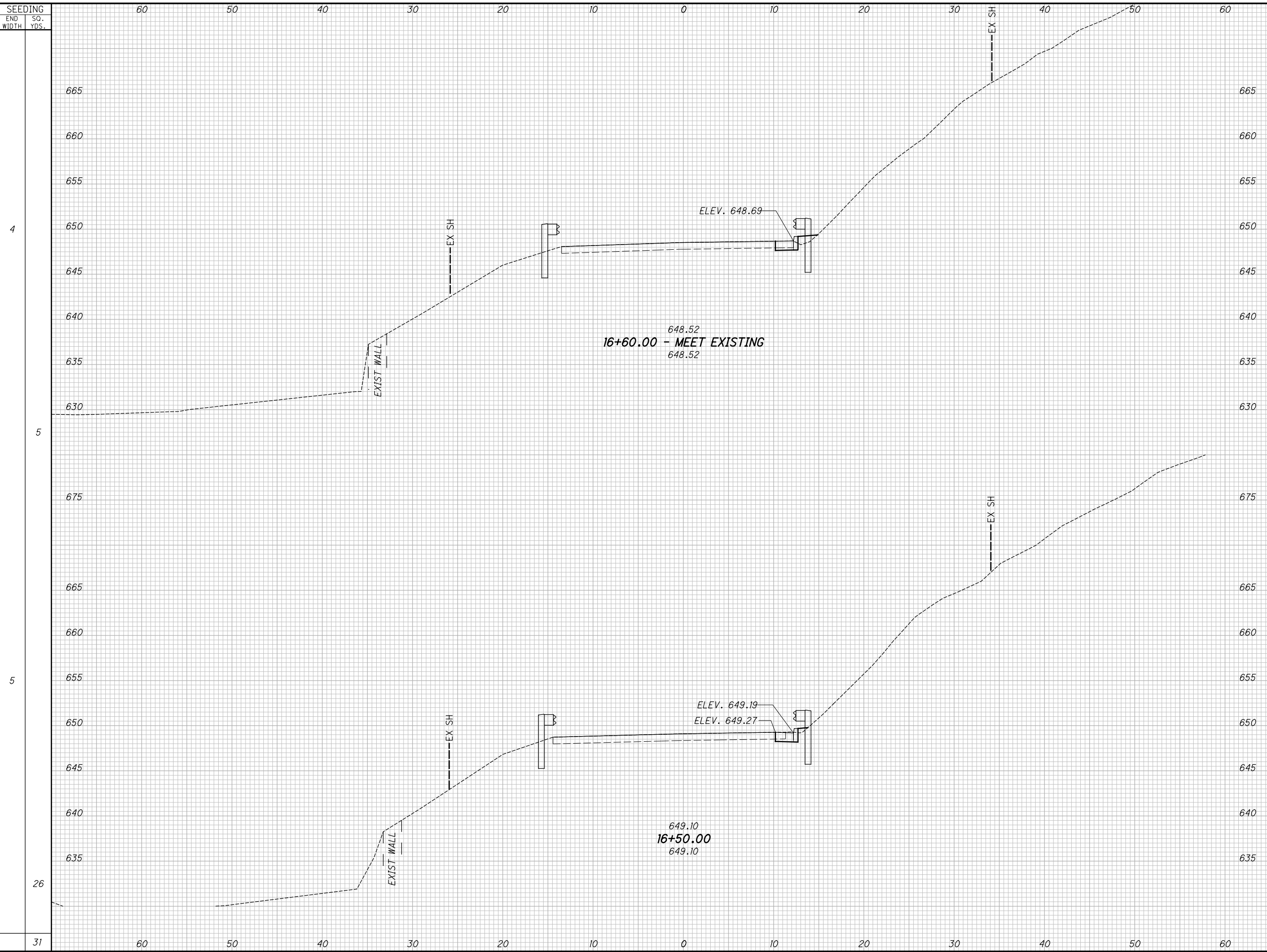
END AREA	VOLUME	CALCULATED		CHECKED	BJF
		CUT	FILL		
16	3				
35	3				
31	11				
13	2				

CROSS SECTIONS CR 32 (SOCIALVILLE-FOSTERS RD)
STA. 16+13.88 TO STA. 16+25.00

WAR-CR32-5.14

O:\000T\WAR\Socialville-Fosters Road Bridge_CR32_5.14\Design\Roadway\Sheets\CR32_5.14_XS001.dgn Sheet 11/16/2018 2:24:21PM chr1s-s

O:\000T\WAR\Socialville-Fosters Road Bridge_CR32_5.14\Design\Roadway\Sheets\CR32_5.14_X500.dgn Sheet 11/16/2018 2:24:22 PM chr1s-s

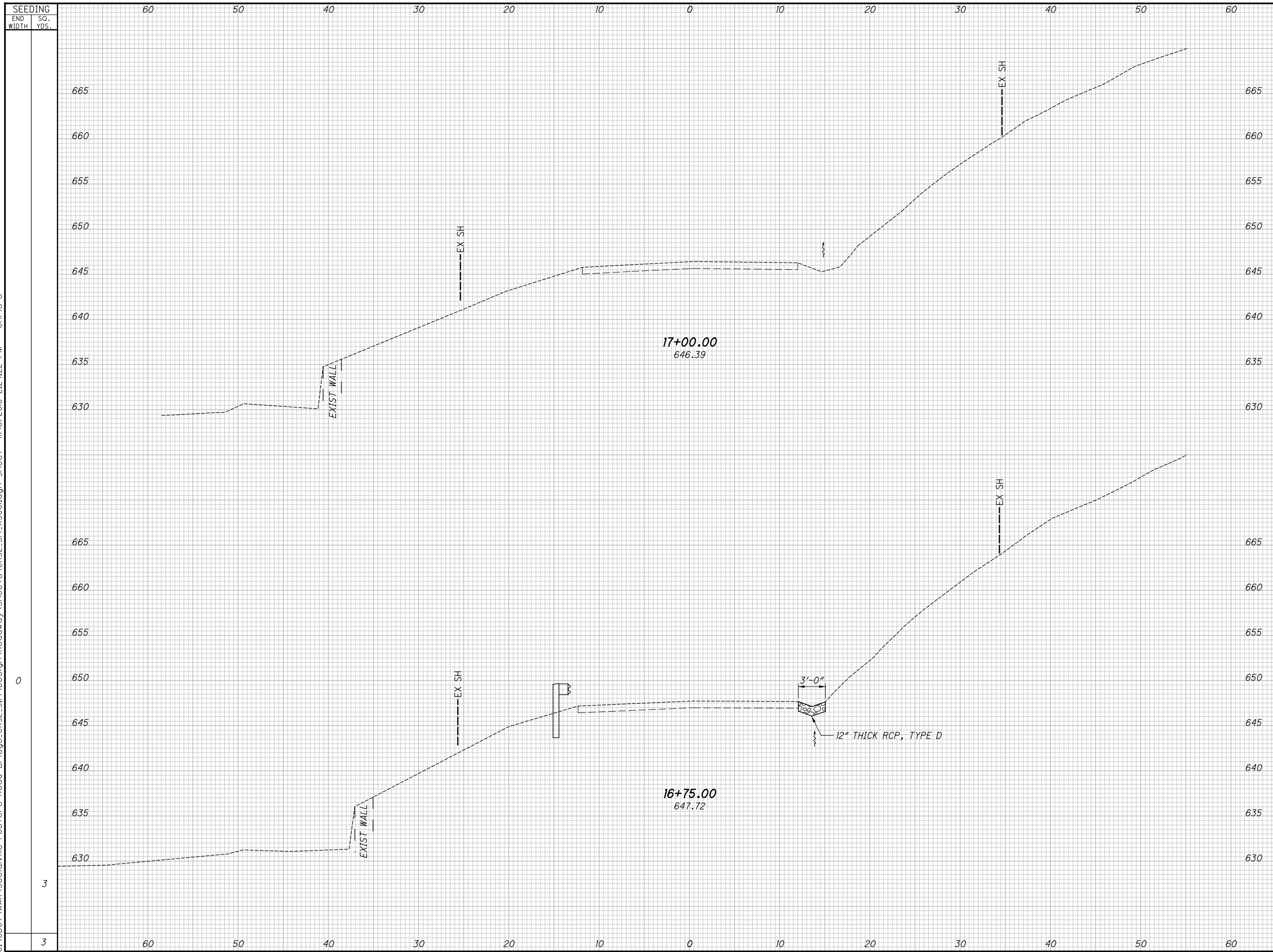


SEEDING	END AREA		VOLUME		CALCULATED DPF	CHECKED BJF
	CUT	FILL	CUT	FILL		
4	2	1				
5			1	0		
5	3	1				
26			9	2		
31			10	2		

CROSS SECTIONS CR 32 (SOCIALVILLE-FOSTERS RD)
STA. 16+50.00 TO STA. 16+60.46

WAR-CR32-5.14

O:\000T\WAR\Socialville-Fosters Road Bridge_CR32_5.14\Design\Roadway\Sheets\CR32_5.14_X500.dgn Sheet 11/16/2018 2:24:22 PM chrIs-s



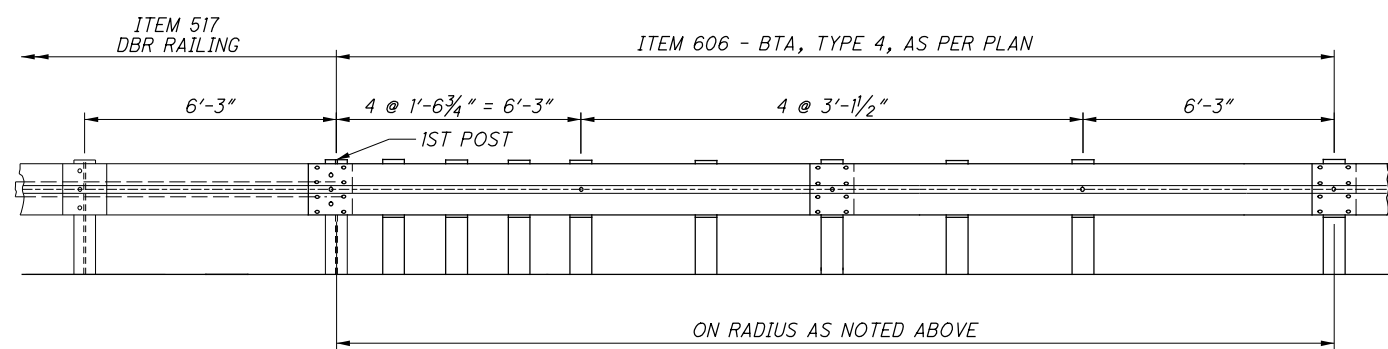
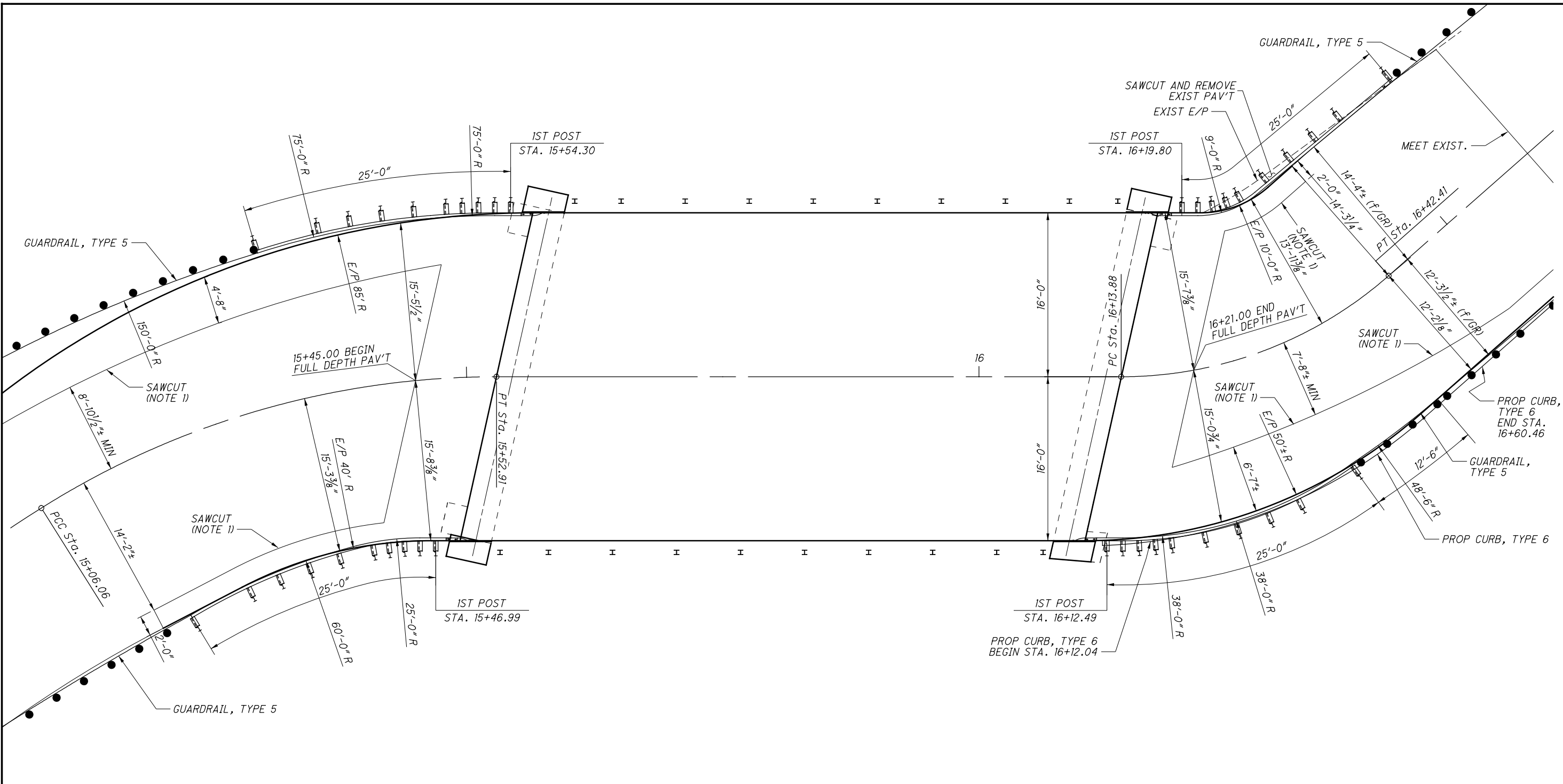
SEEDING		END AREA		VOLUME		CALCULATED	
END WIDTH	SO. YDS.	CUT	FILL	CUT	FILL	DPF	CHECKED
3		0	0	1	0		BJF
3							

CROSS SECTIONS CR 32 (SOCIALVILLE-FOSTERS RD)
STA. 16+75.00 TO STA. 17+00.00

WAR-CR32-5.14

15
37

O:\DDOT\WAR\Socialville-Fosters Road Bridge_CR32-5.14\Design\Roadway\Sheets\CR32-5.14-GR001.dgn Sheet 11/16/2018 2:24:23 PM chr1s-s



ITEM 606 - BRIDGE TERMINAL ASSEMBLY, TYPE 4, AS PER PLAN (CURVED)

NOTES
 1) 1'-0" MINIMUM OR UNTIL SOUND PAVEMENT IS REACHED

CALCULATED
 DPF
 CHECKED
 BJF

GUARDRAIL DETAILS

WAR-CR32-5.14

NOTES

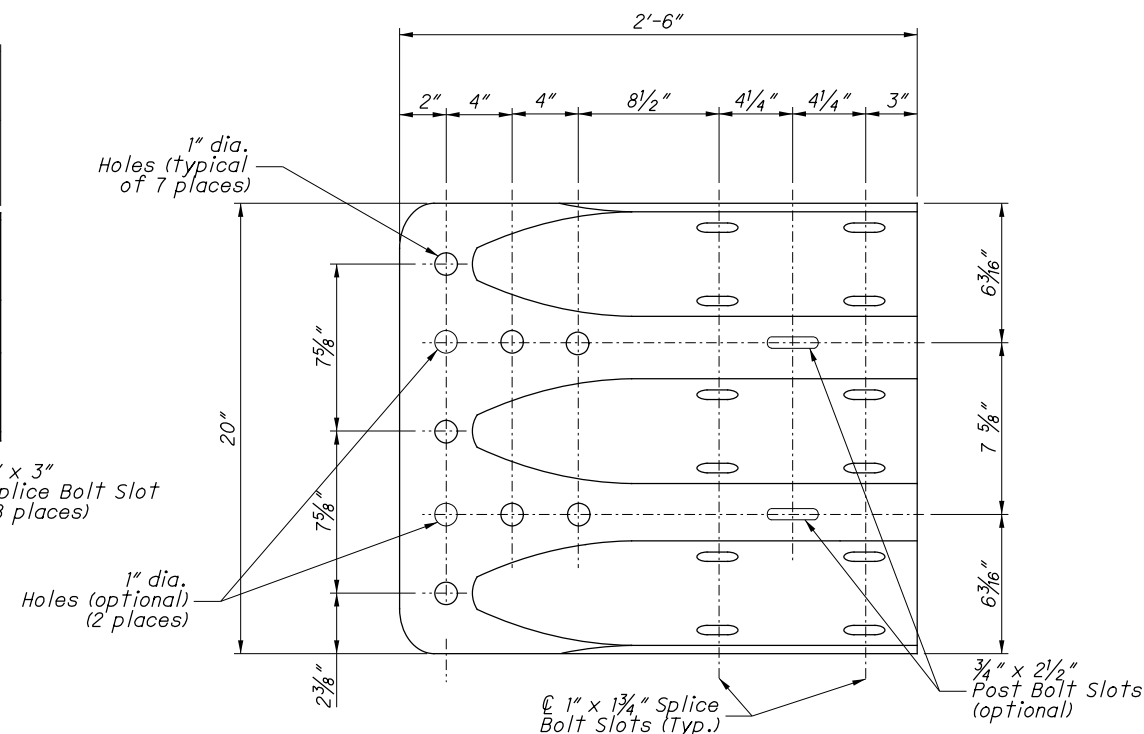
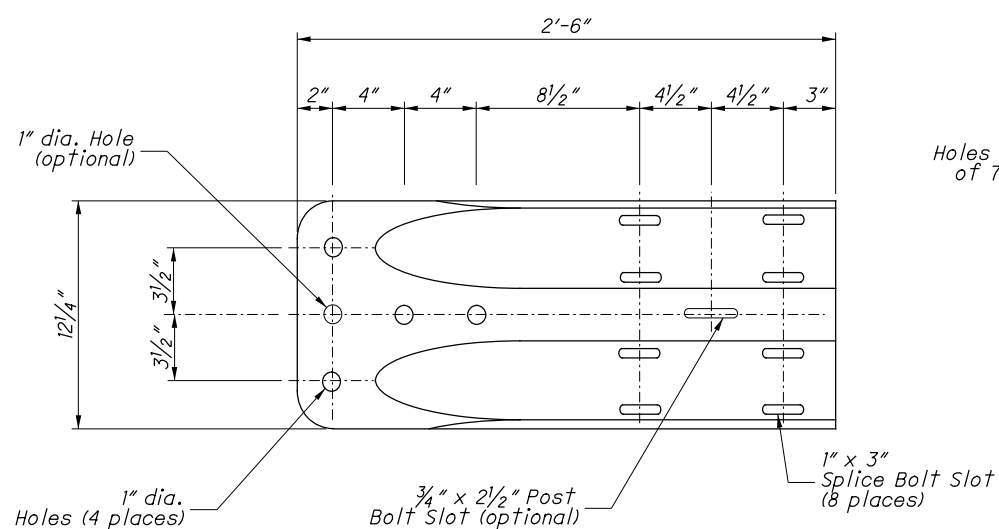
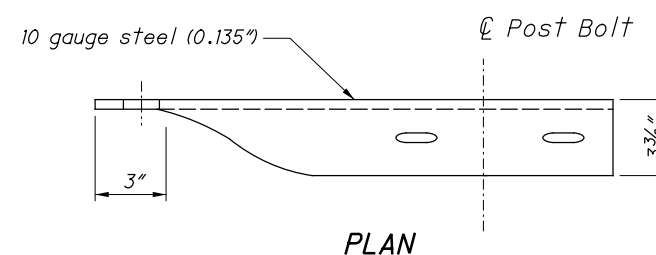
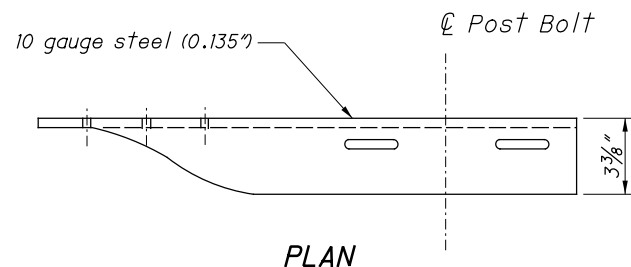
GENERAL: Components shown on this drawing are used in a variety of guardrail systems. See individual guardrail drawing for specific applications.

See CMS 606 for guardrail specifications not covered on these drawings.

Refer to AASHTO M 180 for dimensional details of W-Beam and Thrie-Beam rail elements, related buffer and end sections, beam splices, post and splice bolts, nuts, and Type 1 W-Beam to Thrie-Beam Transition sections.

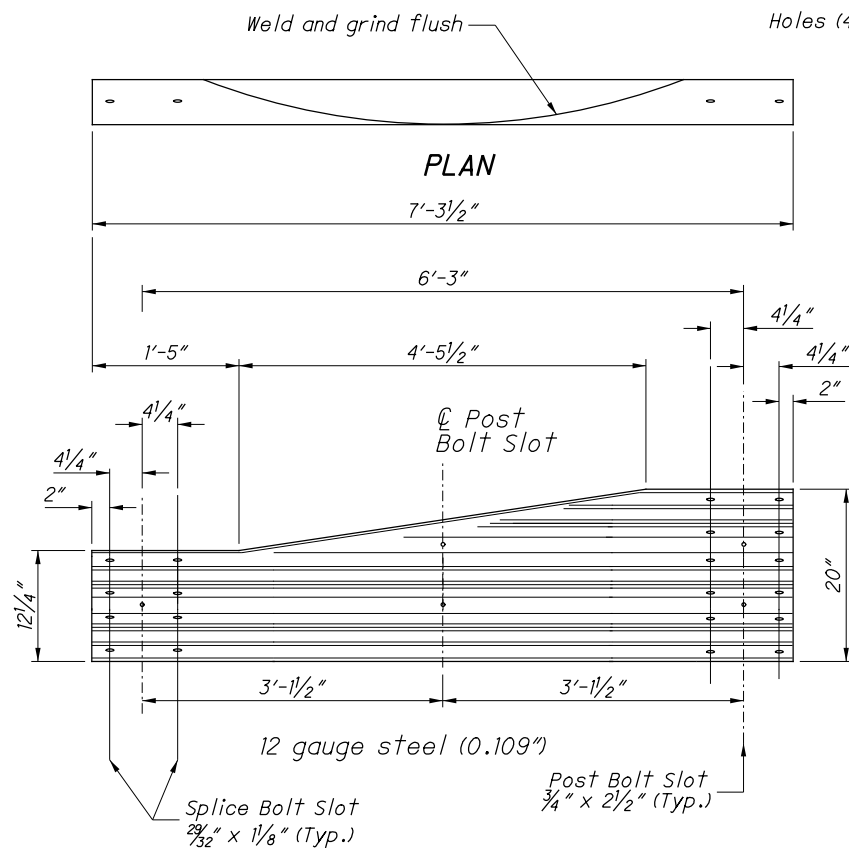
RAIL ELEMENTS: W-Beam Rail has an effective length of 12'-6" unless otherwise specified, with $\frac{3}{4}$ " x $2\frac{1}{2}$ " post bolt slots on 6'-3" centers regardless of post spacing. Field punch or drill bolt holes or slots for irregularly spaced posts as specified in CMS 606.04.

RAIL SPLICES: Lap splices between two rail elements or between a rail and terminal connector in the direction of traffic. Lap the buffer or flared end sections in the direction of traffic.



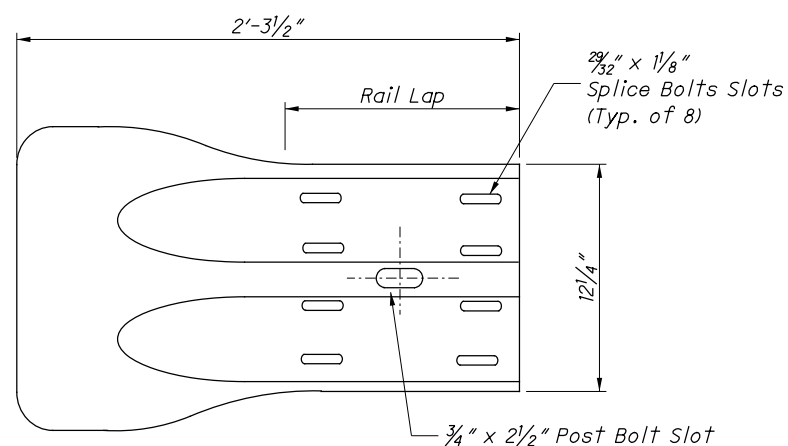
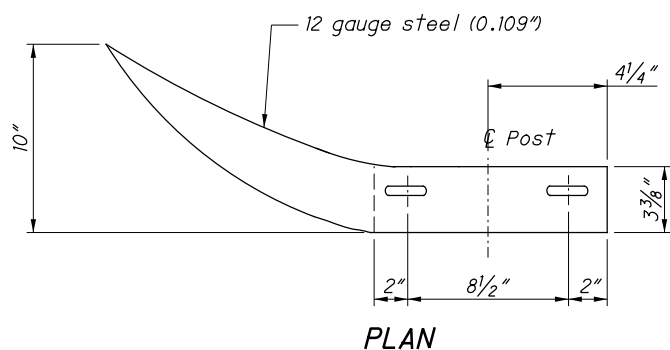
**ELEVATION
W-BEAM TERMINAL CONNECTOR**

**ELEVATION
THRIE-BEAM TERMINAL CONNECTOR**

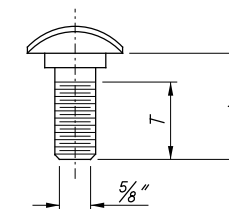


**ELEVATION
TYPE 2 TRANSITION SECTION
(Asymmetric W to Thrie-Beam)**

For details of Type 1 Transition Section (Symmetric), refer to AASHTO M 180, Figure 4.



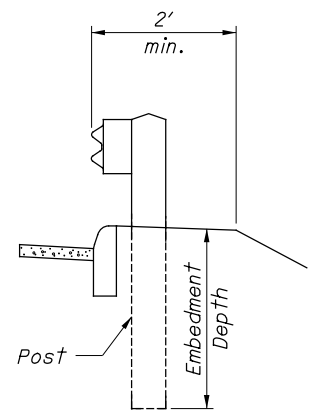
**ELEVATION
W-BEAM FLARED END SECTION**



GUARDRAIL BOLT (For Post and Splice Bolts)		
L	T min.	Bolt Use
18" (Standard Rail)	4"	Type 5: WP/WB, PB
26" (Barrier Rail)		
10"	4"	Type 5: SP/WB, PB
1 1/4"	1 1/8"	Splice Bolt

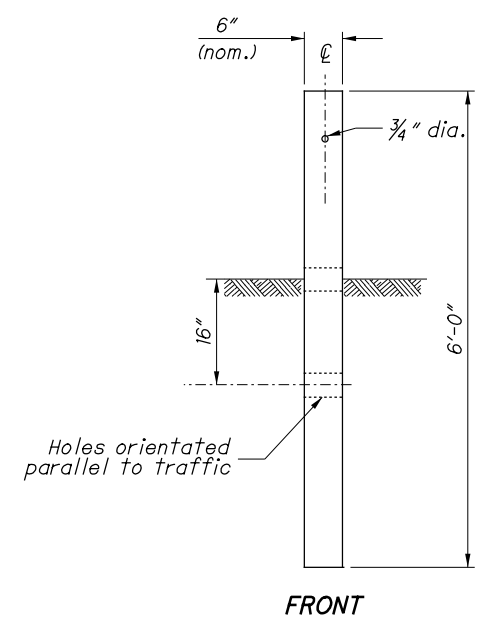
WP = Wood Post WB = Wood Blockout
SP = Steel Post PB = Plastic Blockout

Longer Bolt may be needed for round Wood Post larger than 8" dia.

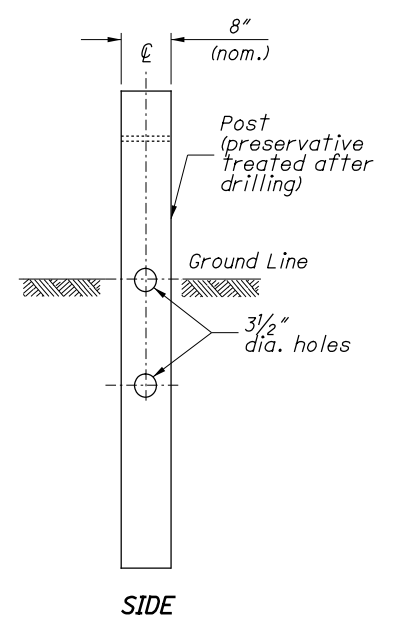


DETAIL A

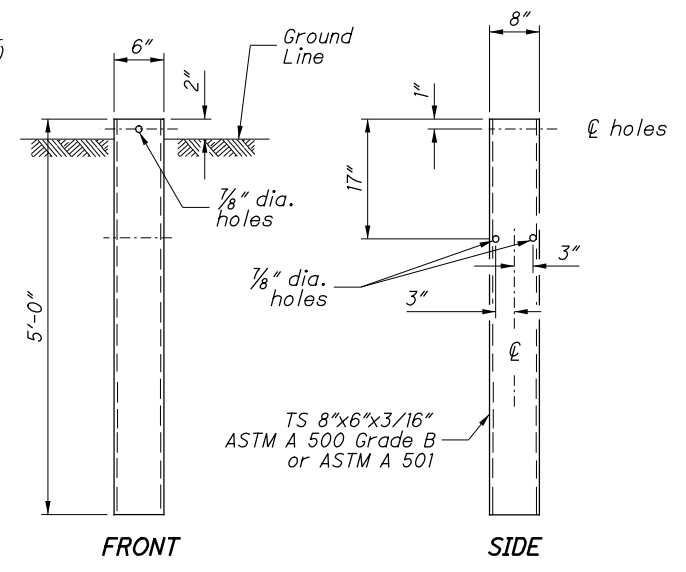
See POST EMBEDMENT DEPTH Note



TYPE 1 BREAKAWAY CRT POST



TYPE 2 BREAKAWAY CRT POST



STEEL GROUND TUBE

NOTES

GUARDRAIL HEIGHT: For initial installation, construct the guardrail within $\pm 1"$ of the standard height, h , or **29"** to the top of W-Beam rail. (See MEASURING GUARDRAIL HEIGHT Detail.)

When subsequent projects, such as resurfacings, affect the height of existing guardrail, the finished height is to be within $\pm 2.5"$ of the standard height.

POST EMBEDMENT DEPTH: Standard embedment is 3'-5" min. Where less than 2' of graded shoulder width (10:1 or flatter) exists, measured from the face of the guardrail (see DETAIL "A"), use longer posts so that a minimum of 5'-5" embedment depth is provided. Payment for the longer posts will be made at the unit price bid for **ITEM 606 - GUARDRAIL POST, 9', Each.**

SPECIAL POST MOUNTINGS: Install posts located over a drainage inlet or structure as shown in the FOOTING ANCHOR Detail, or anchor per the details shown on **SCD GR-2.2.**

Install posts located over a footing with a cover of less than 2'-6" with a footing anchor as detailed here. (A plate, as detailed on SECTION B-B of **SCD GR-2.2,** may be used as an alternative attachment method.) Where the cover is between 2'-6" and 3'-5", the footing anchor may be omitted and the post encased instead with 4" (min.) of concrete.

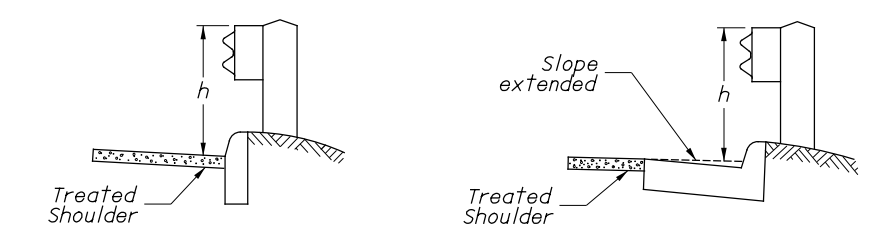
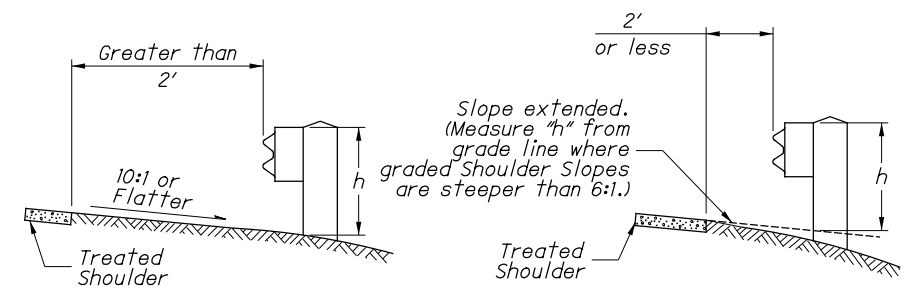
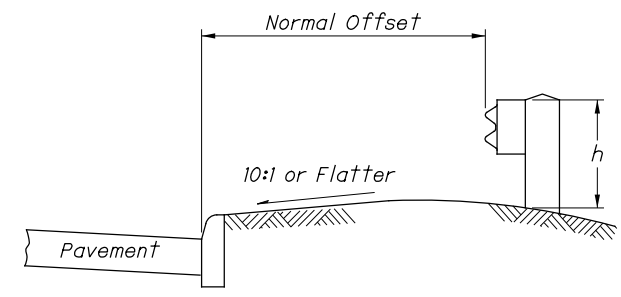
Do not drive posts located over a culvert with less than 4'-3" of cover; instead set in drilled or dug holes. Where the available post embedment depth is less than 3'-5", encase the post with a minimum of 4" concrete.

All costs associated with special post mountings are included in the unit price bid of Item 606 Guardrail of the type specified in the plans.

ANCHORS: Holes and grouting shall comply with CMS 510. Use either cement or non-shrink, nonmetallic grout.

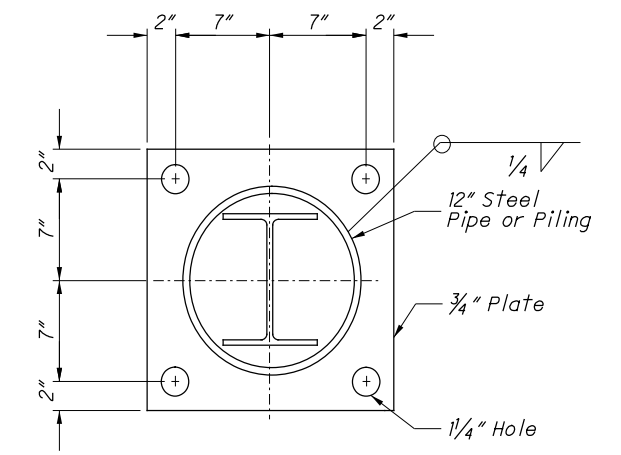
Expansion shield anchors as specified in CMS 712.01 may be substituted except where concrete deterioration has occurred, as determined by the Engineer. Where self-drilling anchors are used, drill the holes with the expansion shield (not by a drill bit) and install the shield flush with the concrete surface.

PROTECTIVE COATING: In lieu of the complying with CMS 710.06, coat expansion shields, anchors and concrete insert anchor assemblies embedded in concrete in accordance with ASTM A 153 or be of stainless steel. Any bolts screwed into these devices shall meet CMS 710.06. (See sheet 3 for Concrete Insert Anchor Assembly Detail.)



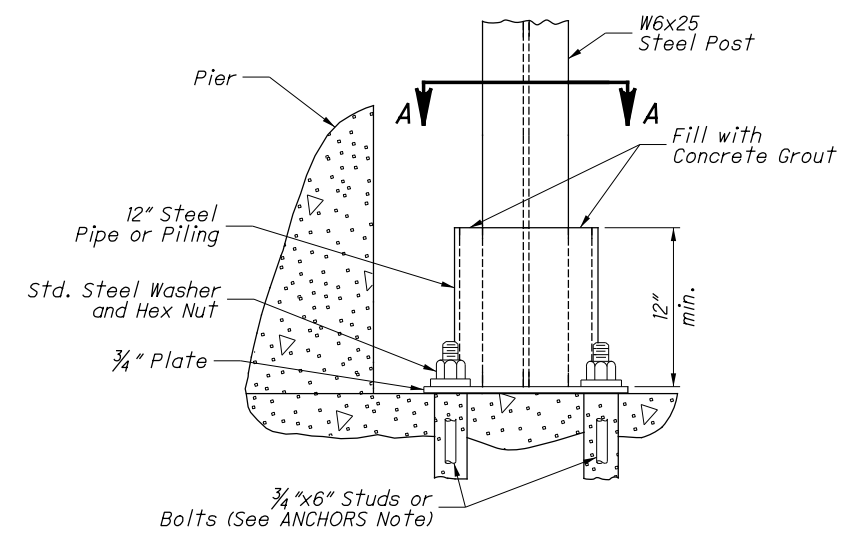
h = Standard Height (See GUARDRAIL HEIGHT Note)

MEASURING GUARDRAIL HEIGHT



Footing Anchor and hardware need not be galvanized

SECTION A-A



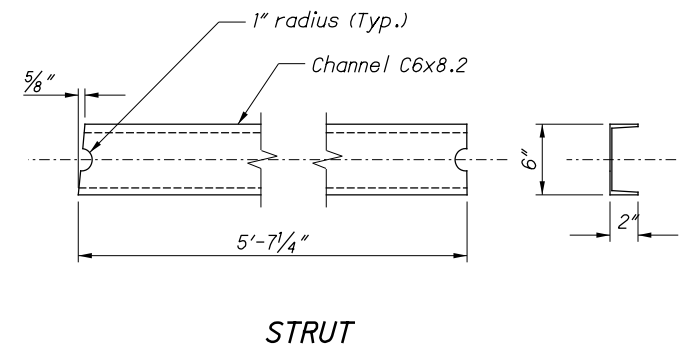
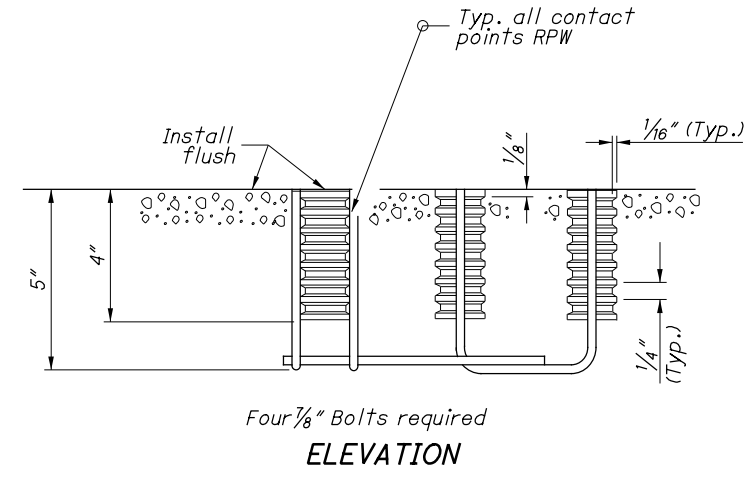
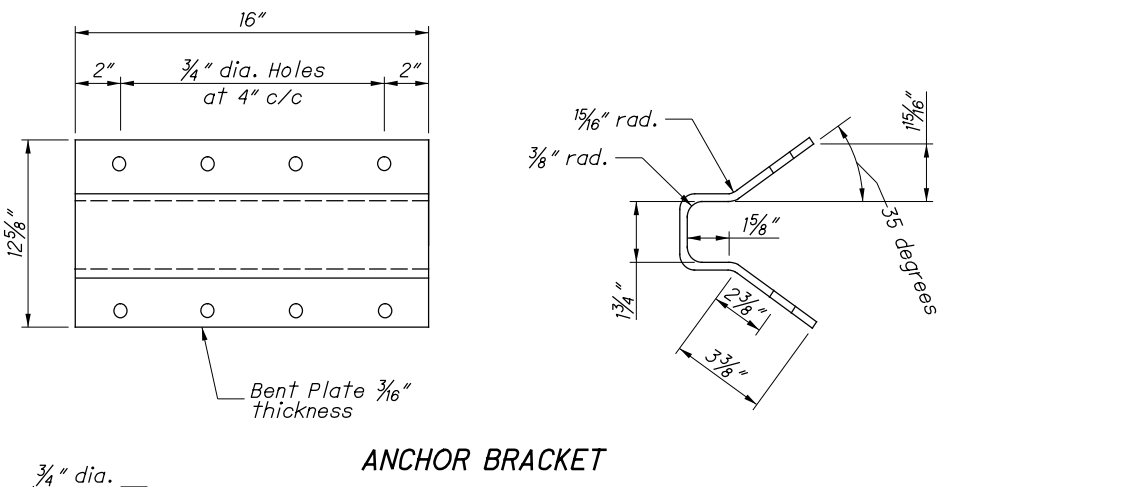
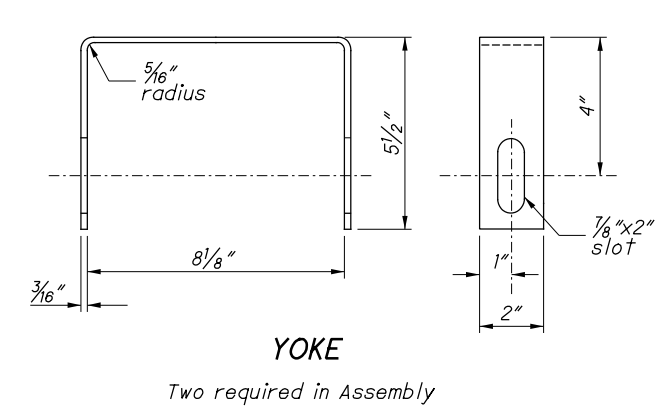
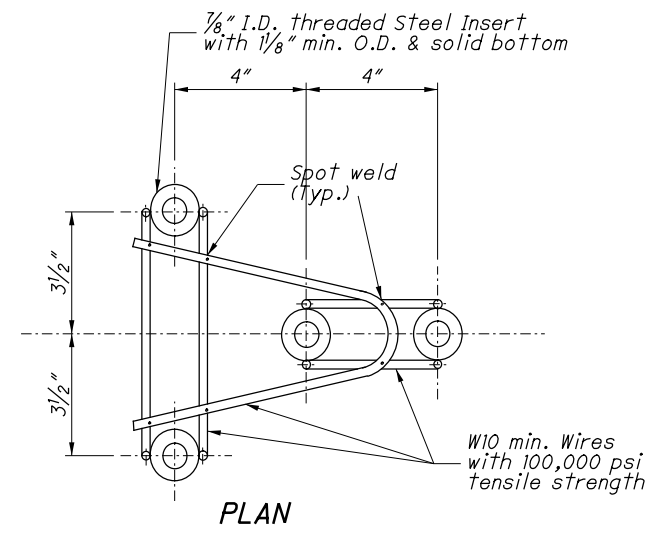
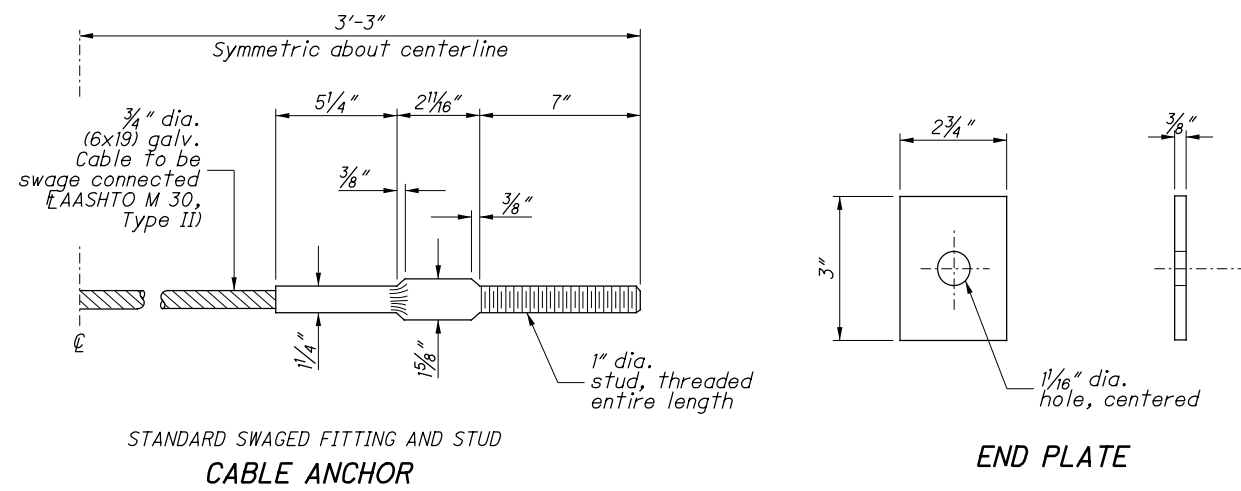
ELEVATION FOOTING ANCHOR

See SPECIAL POST MOUNTINGS Note.

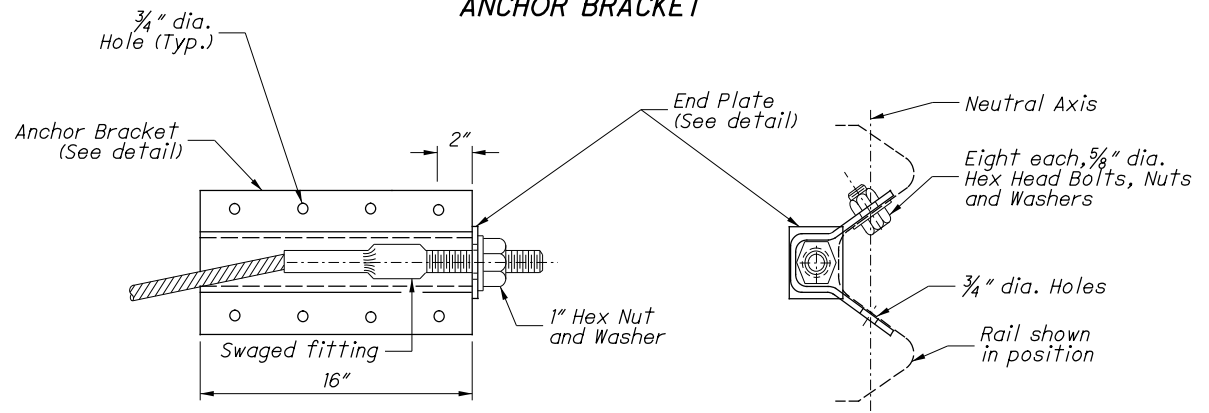
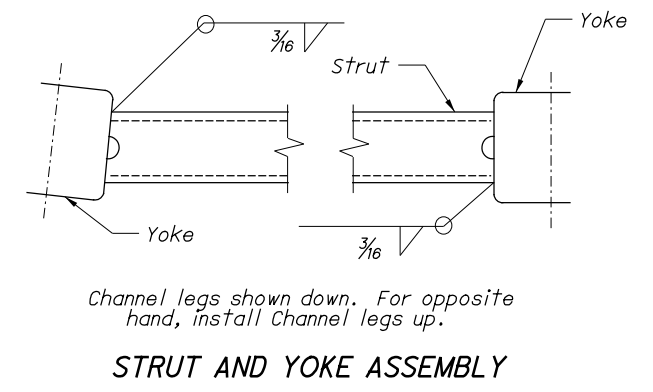
O:\ODOT\WAR\Socialville-Fosters_Road_Bridge_CR32_5.14\Design\Roadway\Sheets\PIS_GR-1.1_1-18-2013.dgn Sheet 2 11/16/2018 2:24:25 PM chris-s

DESIGNED	XXX
REVISION DATE	1/18/2013
CHECKED	XXX
CHECKED	XXX

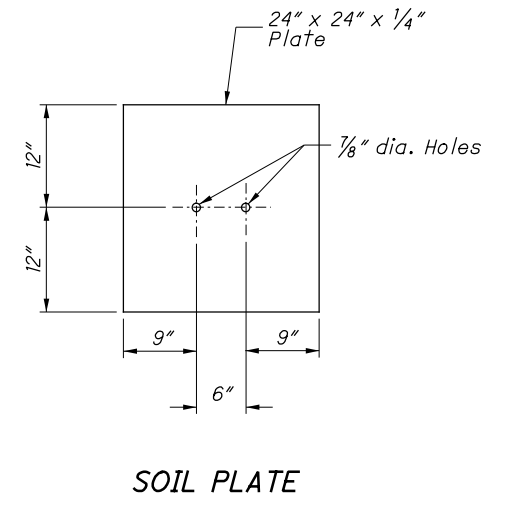
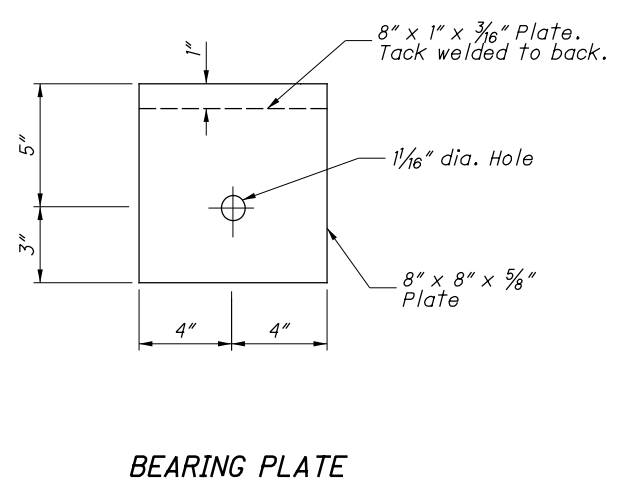
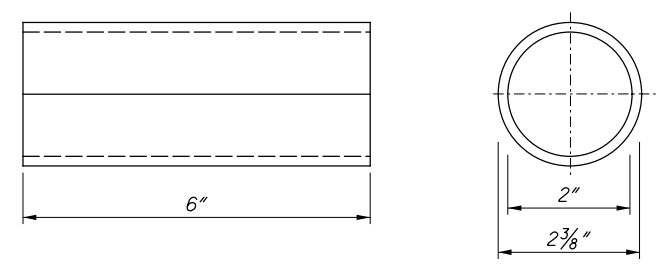
O:\ODOT\WAR\Socialville-Fosters_Road_Bridge_CR32_5.14\Design\Roadway_Sheets\PIS_GR-1.1_1-18-2013.dgn Sheet 3 11/16/2018 2:24:25 PM chris-s



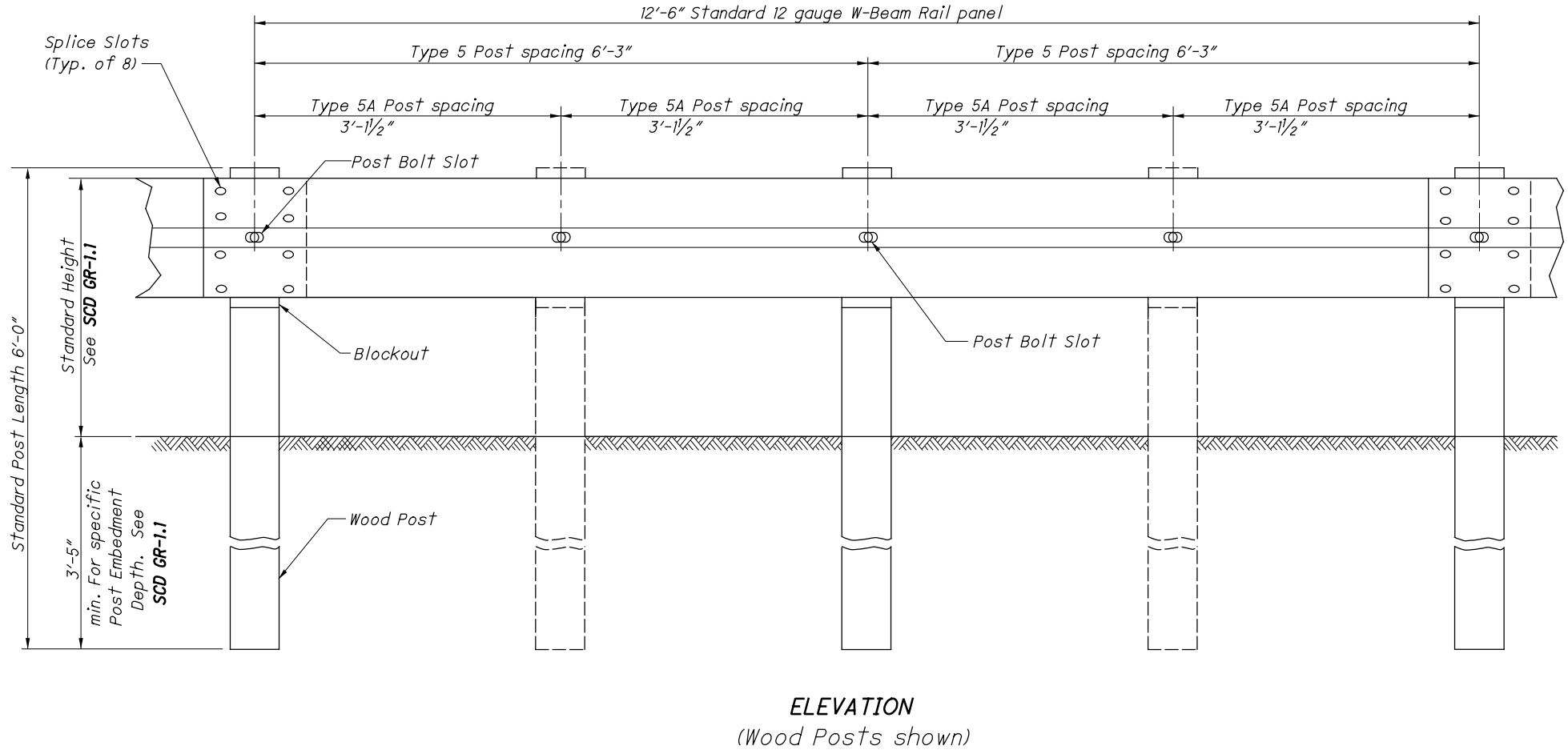
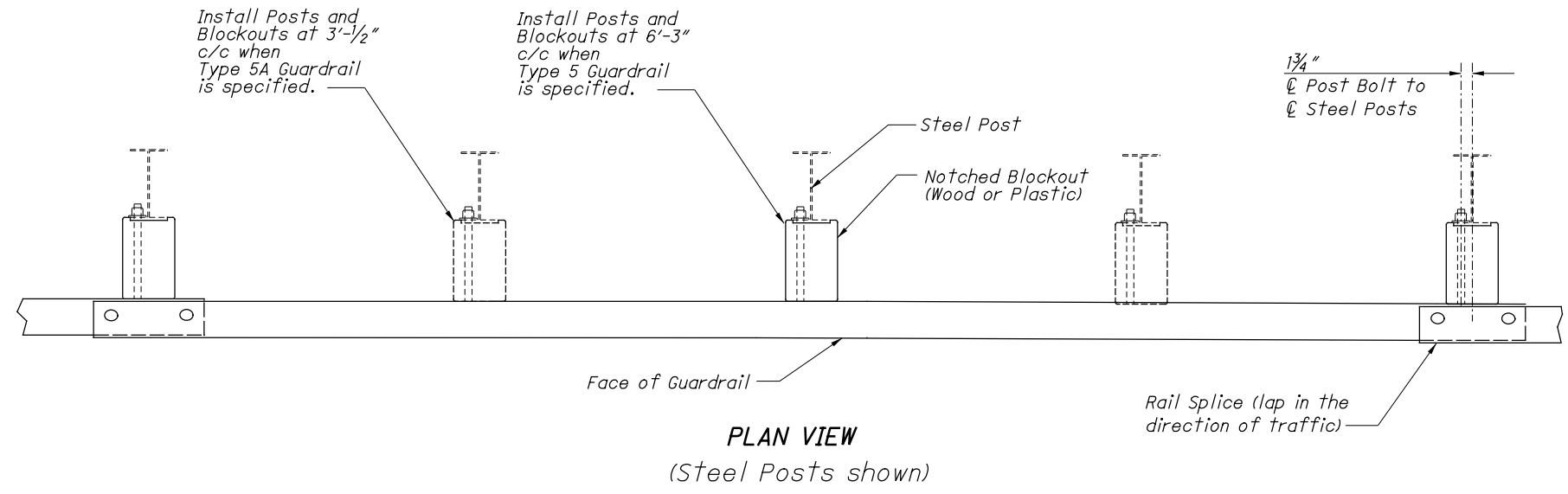
CONCRETE INSERT ANCHOR ASSEMBLY (W-BEAM ONLY)
 See ANCHORS and PROTECTIVE COATINGS Notes on Sheet 2



ANCHOR BRACKET ASSEMBLY DETAILS



O:\ODOT\WAR\Socialville-Fosters_Road_Bridge_CR32_5.14\Design\Roadway\Sheets\PIS_GR-2.1-18-2013.dgn_Sheet 1 11/16/2018 2:24:26 PM chris-s



NOTES

RAIL: Use W-Beam rail meeting AASHTO M 180 Type II Class A, as specified in CMS 606.

POSTS: Posts may be constructed of wood or steel. Wood posts may be round or 6"x8" square-sawed.

Use round wood posts on runs of single-sided rail. The round posts shall be 8"±1 in diameter at the top and not more than 3" larger at the butt with a uniform Taper.

Fabricated wood posts with square ends. Posts shall be pressure-treated as per CMS 710.14. Bore bolt holes and, if required, trim the tops of posts after the posts are set.

Steel posts are to be W6x9 or W6x8.5 galvanized steel. Use the same type of post throughout the length of the project unless otherwise specified in the plans or permitted by the Engineer.

All posts are 6'-0" long unless specified otherwise in the Contract Document. Posts may be set in drilled holes or may be driven to grade.

WELDED BEAM POSTS: Welded beam guardrail posts may be used for Item 606, Guardrail, provided the web and flange sizes are as shown here. Welding of the web to the flanges must comply with ASTM A 769, Class 1, using Grade 36 steel [250 MPa yield point] with the following exceptions:

- Sec. 7.2 Test reports of tensile properties for each lot shall accompany each shipment.
- Sec. 12 Beams that have imperfections repaired by welding shall not be accepted for use in Item 606.
- Sec. 13 Random samples shall be tested by the Department from materials delivered to the project site, or other locations designated by the Laboratory.

ALTERNATE POSTS: Engineered guardrail posts having met NCHRP 350 criteria, and listed on the **Office of Materials Management's** Approved List are permitted as an equal alternate when installed according to the Manufacturer's instructions and within the limitations shown on the Approved List.

BLOCKOUTS: Blockout dimensions are dependent on post used. Wood Blockouts are to be pressure treated as specified in CMS 710.14. Bore bolt holes. Approved alternate blockouts may be used in lieu of the wood blockouts shown. The approved list is maintained by the **Office of Roadway Engineering**.

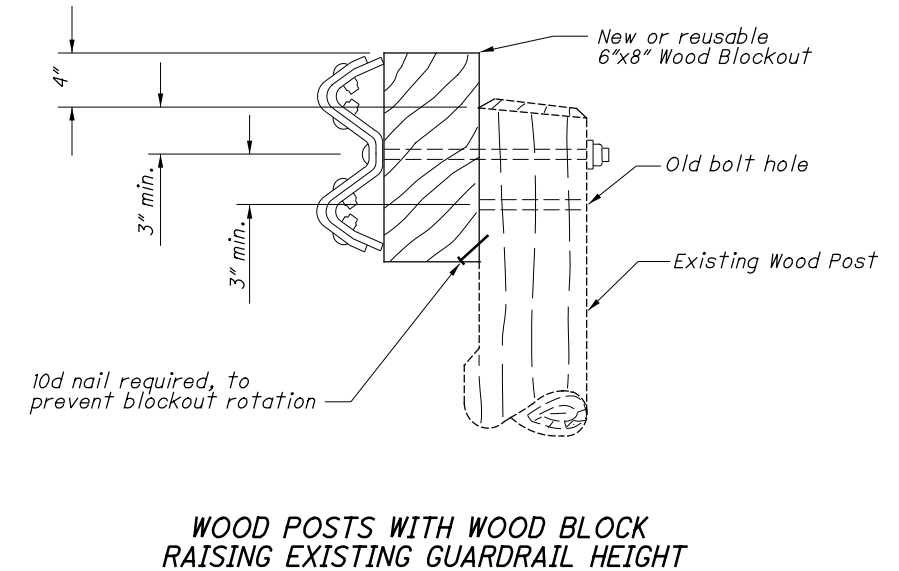
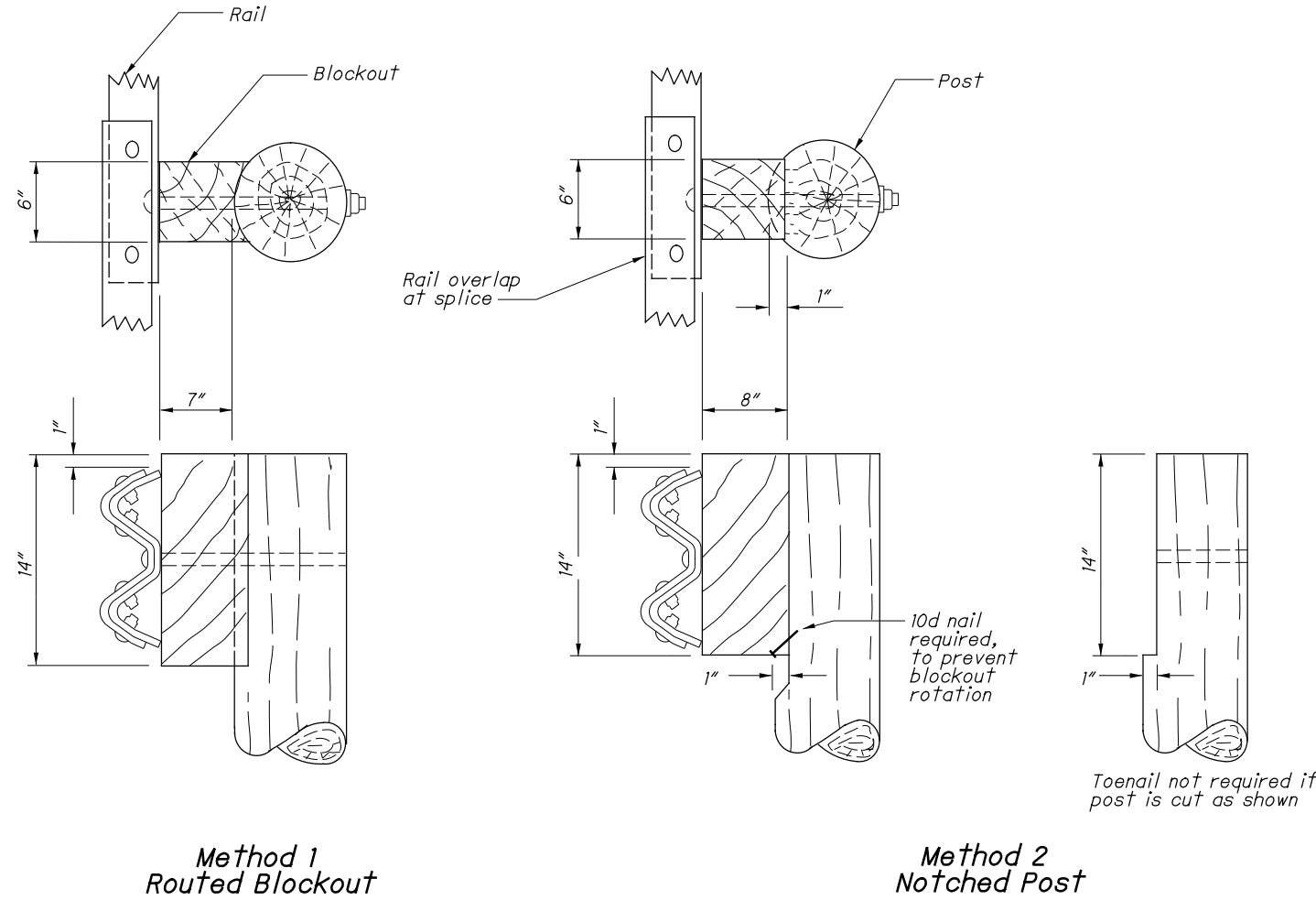
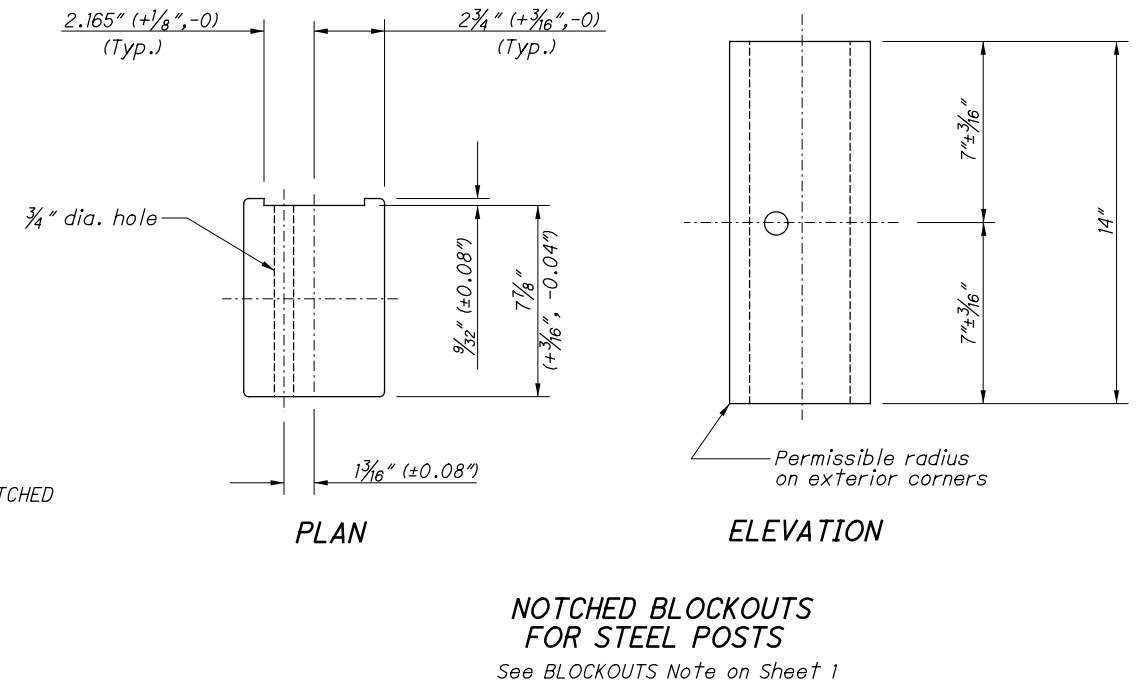
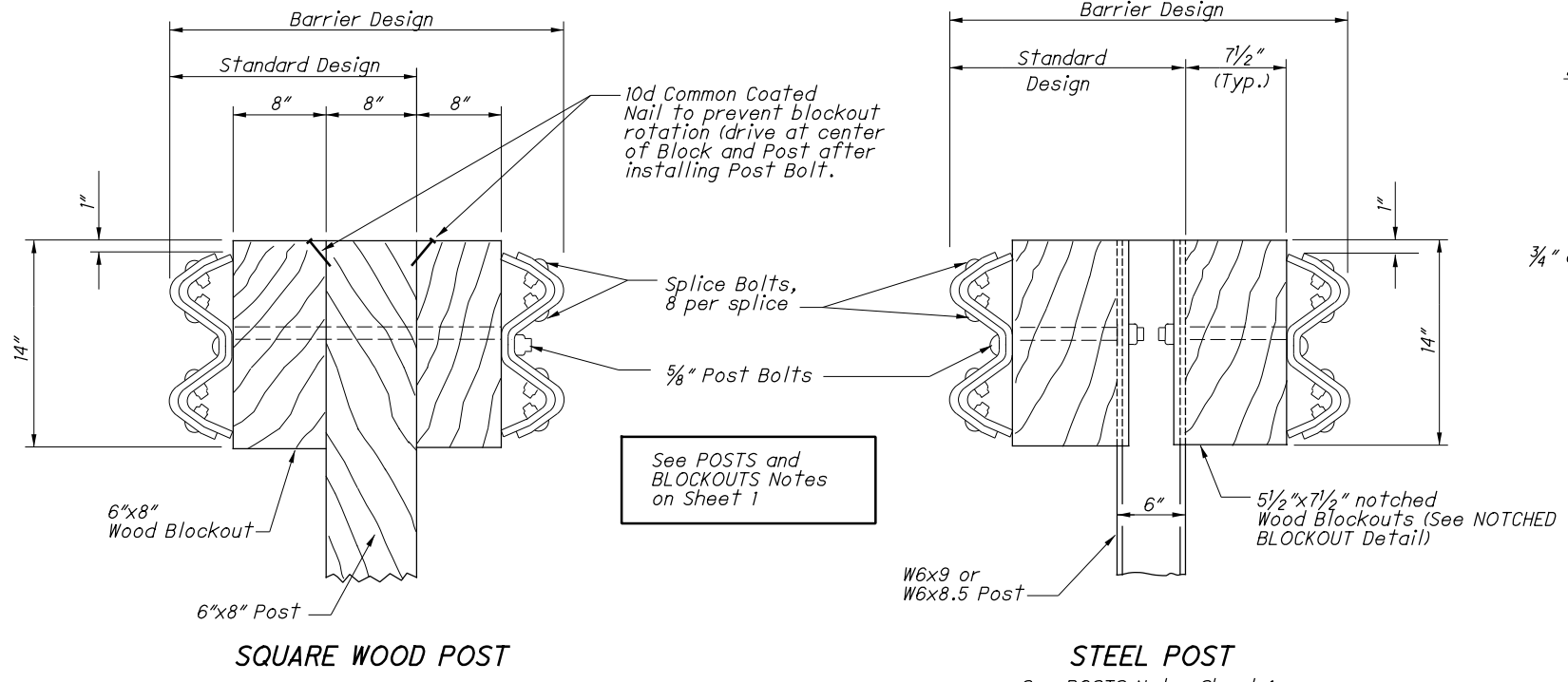
WASHERS: Install appropriate sized standard galvanized steel washers on the nut side of bolts installed on wood posts.

DELINEATION: For barrier reflectors, see CMS 626.

MISCELLANEOUS: For other guardrail details, see SCD GR-1.1.

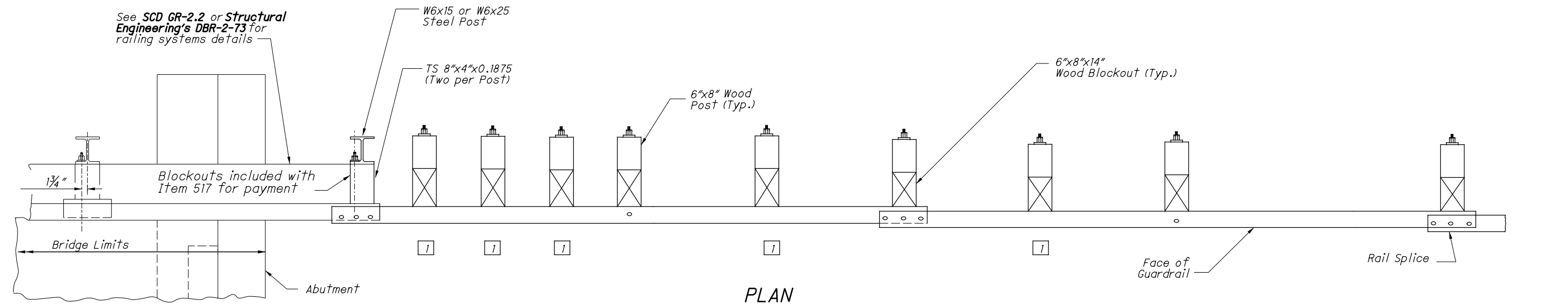
STEEL BEAM POSTS (English)				
Size	Beam depth	Flange width	Flange thickness	Web thickness
Rolled W6x8.5	5.8"	3.94"	0.193"	0.170"
Rolled W6x9	5.9"	3.94"	0.215"	0.170"
Welded 6x8.5	6.0"	3.94"	0.193"	0.170"
Welded 6x9	6.0"	3.94"	0.215"	0.170"

O:\ODOT\WAR\Socialville-Fosters_Road_Bridge_CR32_5.14\Design\Roadway\Sheets\PIS_GR-2.1_1-18-2013.dgn_Sheet_2 11/16/2018 2:24:26 PM chris-s

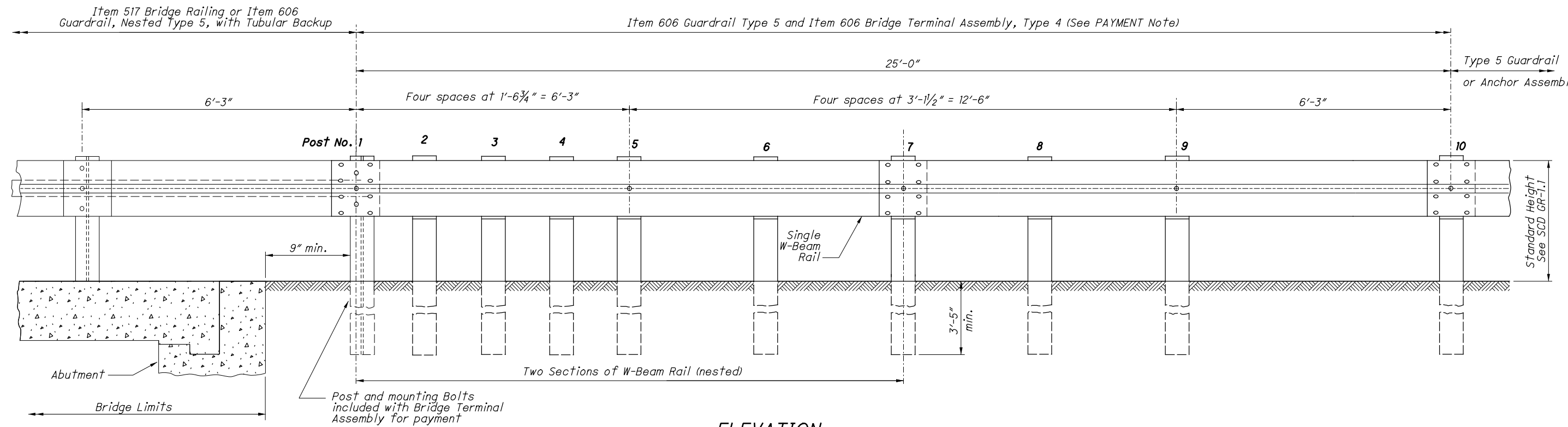


Alternate methods of placing the Blockouts on round Posts may be submitted for consideration and approved by the Engineer.

ROUND WOOD POSTS
Single Sided runs only (Standard Design)



PLAN



ELEVATION

NOTES

GENERAL: For additional details, see SCD GR-1.1.

APPLICATION: The Type 4 Bridge Terminal Assembly shall connect Type 5 Guardrail runs to Type 5 Guardrail with Tubular Backup or to Deep Beam Bridge Guardrail (as shown on Structural Engineering SCD DBR-2-73).

DETAIL INFORMATION: The first post off the bridge shall be steel (W6x15 or W6x25). All holes in the off-structure end of the approach panel rail section spanning the abutment are slotted 3/4"x2 1/2". Tighten the bolts as specified for expansion joints in Item 606.05.

POSTS: Posts may be set in drilled holes or driven to grade. See SCD GR-1.1 for additional Post embedment details. Guardrail is not attached to certain posts (see LEGEND).

WOOD POSTS - Use square sawed pressure treated wood as specified in CMS 710.14 and fabricated with square ends. Bore bolt holes and trim the tops of posts, if required after the posts are set.

STEEL POSTS - are allowed as an alternate. Use W6x9 or W6x8.5 in lieu of the 6"x8" wood post. Use same post material through-out assembly.

BLOCKOUTS: Approved alternate blockouts can be found on the Office of Roadway Engineering website. Steel blockouts are not permitted.

FLARED GUARDRAIL: Start Standard Guardrail Flares as shown on SCD GR-5.1 at or beyond Post No. 10; however, the flare may begin at Post No. 7.

PAYMENT: Item 606 - Bridge Terminal Assembly, Type 4, Each, includes the cost of extra components in excess of normal guardrail, such as additional posts and other hardware. The TS 8"x4" spacers and tubular backup rail extending to the first post off the bridge is included with Item 517 - Railing, or Item 606 - Guardrail, Nested Type 5 with Tubular Backup, for payment.

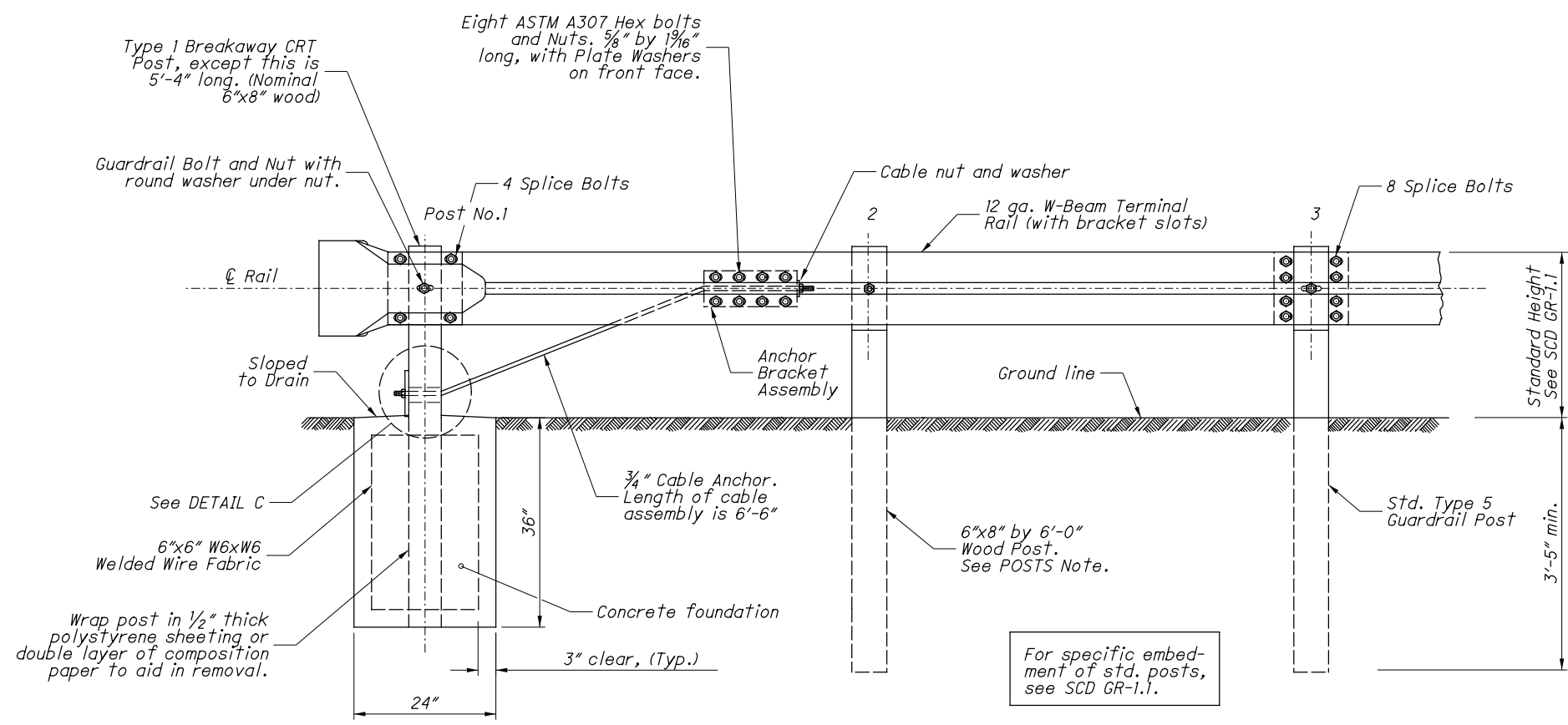
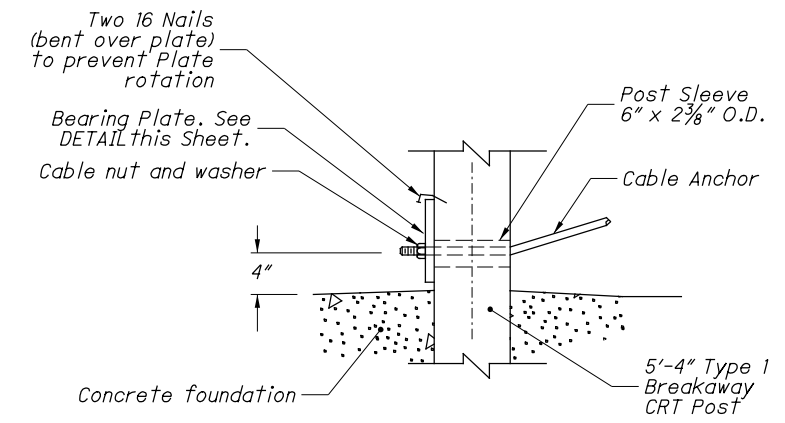
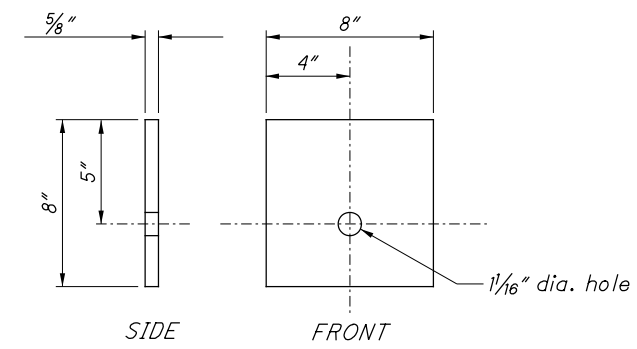
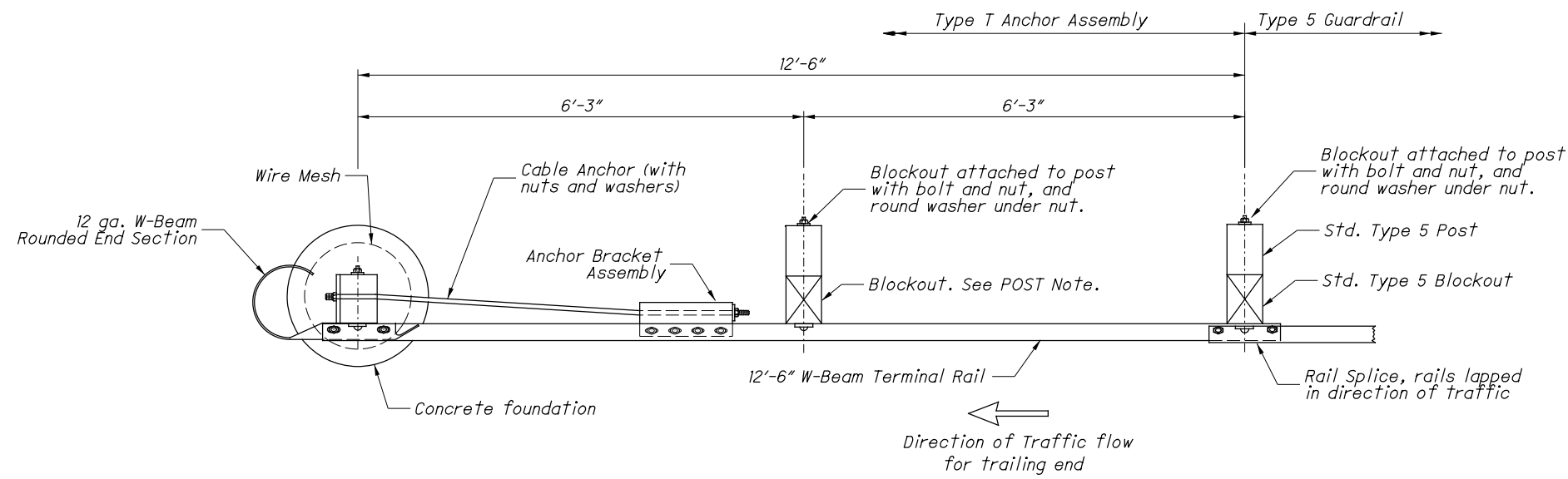
LEGEND

1 Guardrail is not attached to posts at Posts 2, 3, 4, 6, and 8. Blockout is fastened to post with standard Post Bolt.

O:\ODOT\WAR\Socialville-Fosters_Road_Bridge_CR32_5.14\Design\Roadway\Sheets\PIS_GR-3.4_7-20-2018.dgn Sheet 11/16/2018 2:24:27 PM chris-s

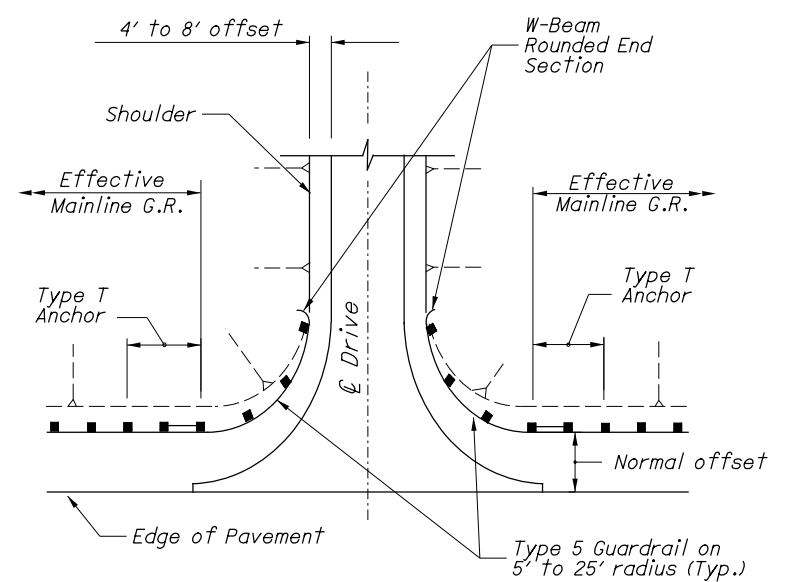
O:\ODOT\WAR\Socialville-Fosters_Road_Bridge_CR32_5.14\Design\Roadway\Sheets\PIS_GR-4.2_1-18-2013.dgn Sheet 2 11/16/2018 2:24:28 PM chris-s

DESIGNED	XXX
REVISION DATE	1/18/2013
CHECKED	XXX
REVIEWED	XXX



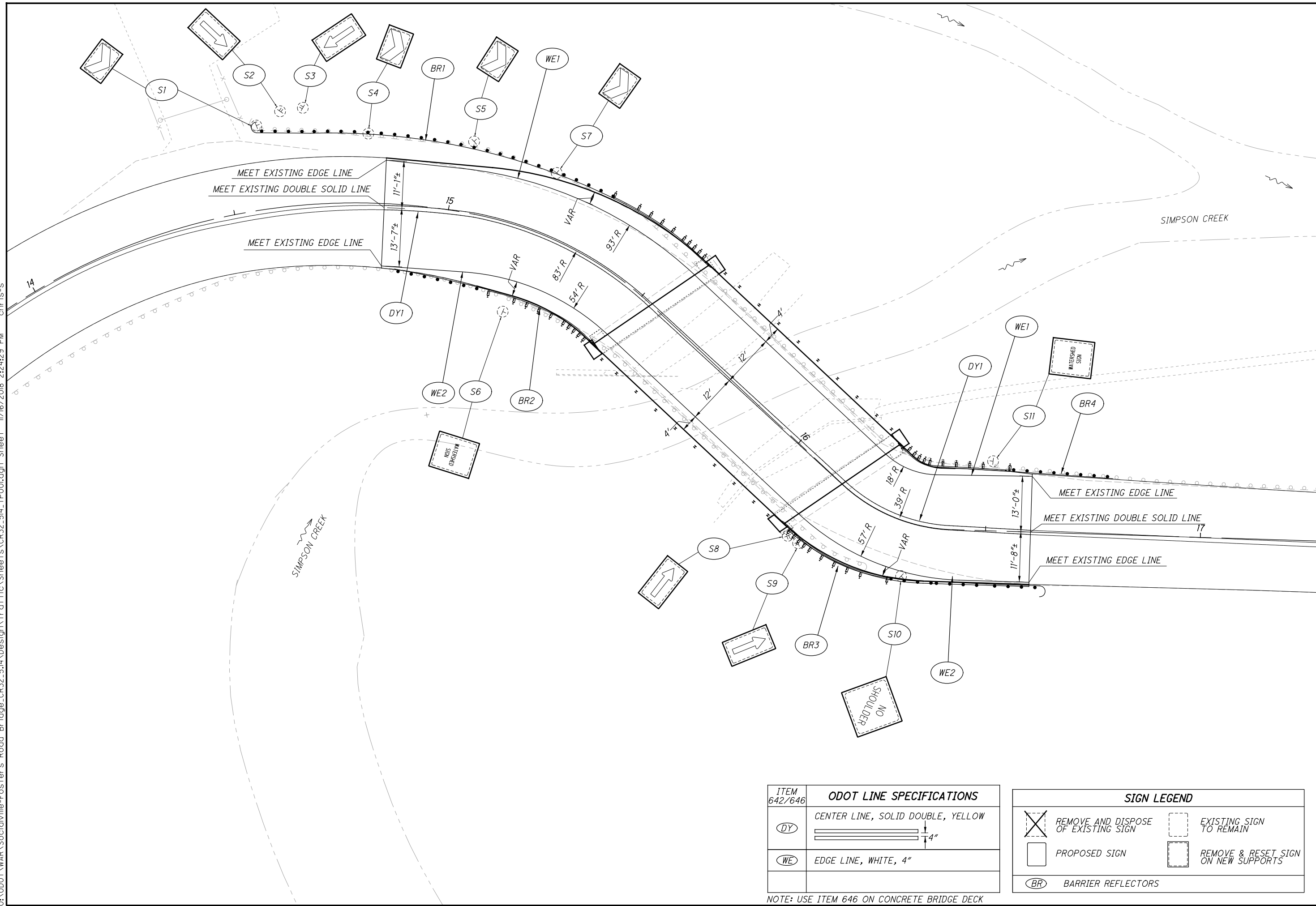
See SCD GR-1.1 for Type 1 Breakaway CRT Post, Steel Ground Tube, Post Sleeve, Cable Anchor and Bracket Assembly details.

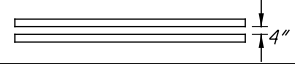
For specific embedment of std. posts, see SCD GR-1.1.



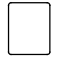



SHEET NO.	REFERENCE NO.	STATION		LOCATION/ DESCRIPTION	LENGTH	630		642		646		626
		FROM	TO			REMOVAL OF GROUND MOUNTED SIGN AND REERECTION	GROUND MOUNTED SUPPORT, NO. 3 POST	CENTER LINE, SOLID DOUBLE, 4"	EDGE LINE, WHITE, 4"	CENTER LINE, SOLID DOUBLE, 4"	EDGE LINE, WHITE, 4"	BARRIER REFLECTOR, TYPE 2, BIDIRECTIONAL
						EA	FT	MILE	MILE	MILE	MILE	EA
26	S1	14+58.00		LT		1	8.0					
26	S2	14+63.00		LT		1	12.2 12.0					
26	S3	14+68.00		LT		1	12.2 12.0					
26	S4	14+81.00		LT		1	9.3					
26	S5	15+03.00		LT		1	10.0					
26	S6	15+20.00		RT		1	10.9					
26	S7	15+21.00		LT		1	10.0					
26	S8	16+13.00		RT		1	12.9 13.5					
26	S9	16+15.00		RT		1	12.9 13.5					
26	S10	16+33.00		RT		1	12.1					
26	S11	16+51.00		LT		1	12.4					
26	DY1	14+85.00	16+60.46		175			0.02		0.01		
26	WE1	14+85.00	16+60.46	LT	175				0.02		0.01	
26	WE2	14+85.00	16+60.46	RT	175				0.02		0.01	
26	BR1	14+58.05	15+58.05	LT	100							3
26	BR2	14+88.24	15+50.74	RT	63							3
26	BR3	16+08.74	16+71.24	RT	63							3
26	BR4	16+13.05	16+60.46	LT	47							2
TOTALS CARRIED TO GENERAL SUMMARY						11	174	0.02	0.04	0.01	0.02	11

O:\ODOT\WAR\Sociaville-Fosters Road_Bridge_CR32-5.14\Design\Traffic\Sheets\CR32-5.14_TPO01.dgn Sheet 11/16/2018 2:24:29 PM chr1s-s



ITEM	ODOT LINE SPECIFICATIONS
642/646 (DY)	CENTER LINE, SOLID DOUBLE, YELLOW 
(WE)	EDGE LINE, WHITE, 4"

SIGN LEGEND	
	REMOVE AND DISPOSE OF EXISTING SIGN
	EXISTING SIGN TO REMAIN
	PROPOSED SIGN
	REMOVE & RESET SIGN ON NEW SUPPORTS
(BR)	BARRIER REFLECTORS

NOTE: USE ITEM 646 ON CONCRETE BRIDGE DECK

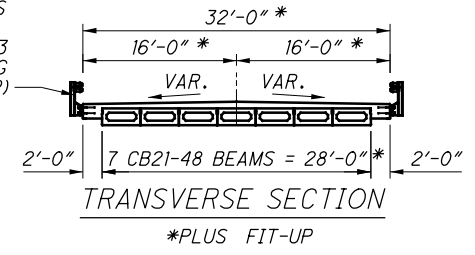
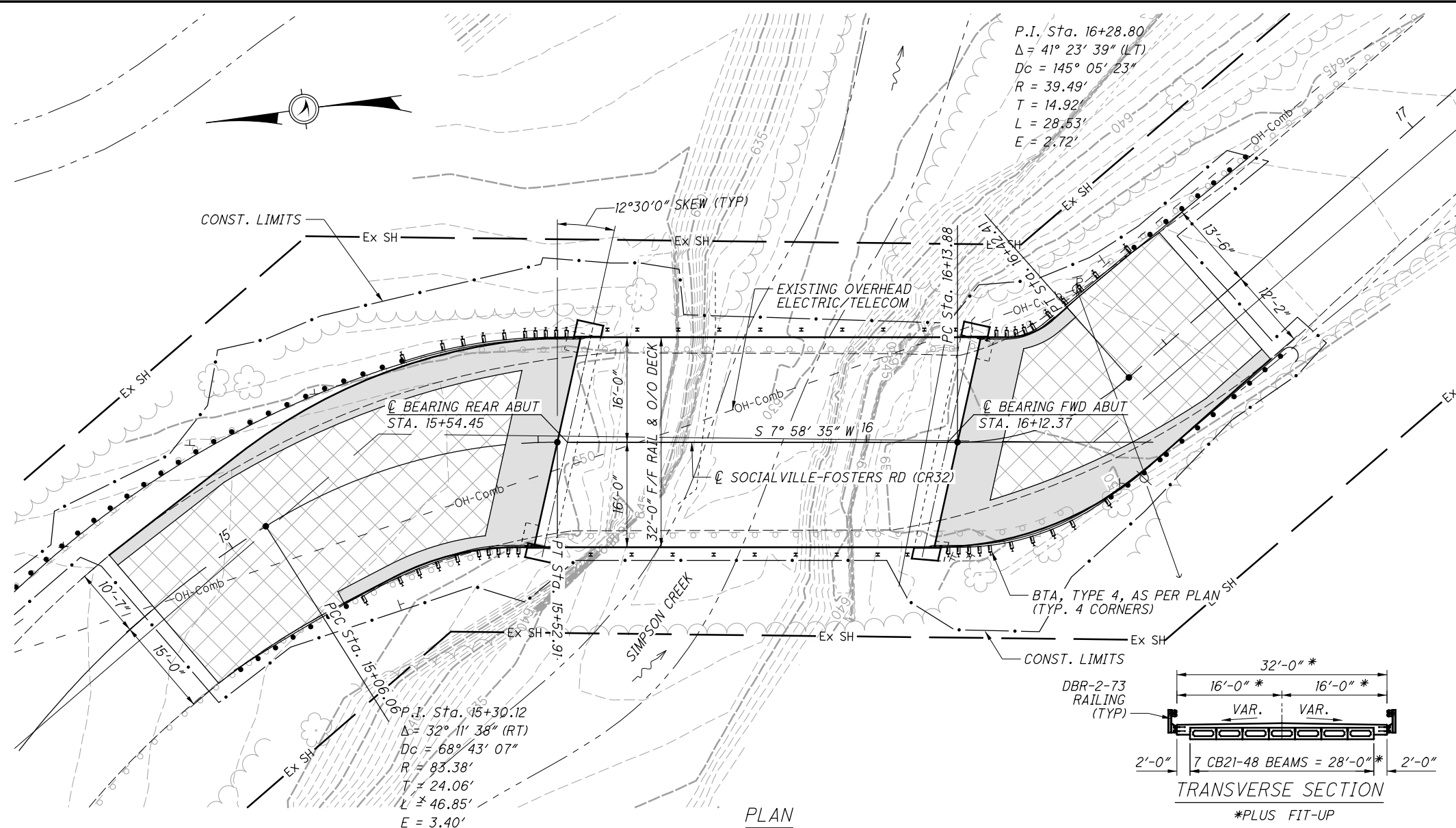
CALCULATED
CCS
CHECKED
DPF

0 5 10 20
HORIZONTAL SCALE IN FEET

TRAFFIC CONTROL PLAN
STA 14+00 TO STA 17+00

WAR-CR32-5.14

O:\000T\WAR\Socialville-Fosters Road Bridge_CR32_5.14\Design\Structures\WAR032_514C_Sheets\032_514C_SF001.dgn Sheet 11/16/2018 2:24:30 PM chr1s-s



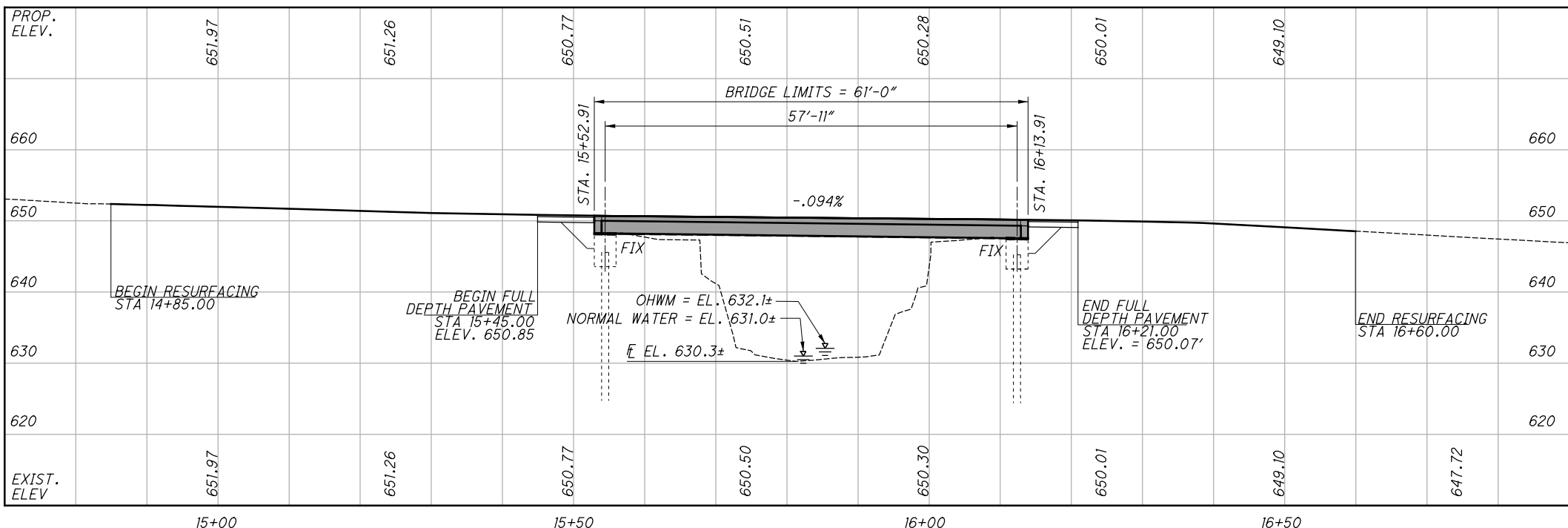
NOTES

EARTHWORK LIMITS SHOWN ARE APPROXIMATE. ACTUAL SLOPES SHALL CONFORM TO PLAN CROSS SECTIONS.

DESIGN TRAFFIC:
 2019 ADT = 7,100 2019 ADTT = 213
 2039 ADT = 8,500 2039 ADTT = 255
 DIRECTIONAL DISTRIBUTION = 0.60

LEGEND

- ▨ FEATHERING/RESURFACING:
- ▨ - 1/2" PAVEMENT PLANING
- ▨ - 1/2" ASPHALT SURFACE COURSE
- - FULL DEPTH PAVEMENT (2'-0" MIN. WIDTH)



PROFILE ALONG SOCIALVILLE-FOSTERS RD

EXISTING STRUCTURE

TYPE: ADJACENT PRESTRESSED CONCRETE BOX BEAMS ON CONCRETE CAPPED PILE ABUTMENTS

SPANS: 57.89'

ROADWAY: 28'-0" FACE TO FACE RAIL

LOADING: HS20-44

SKEW: 12° 30' 00"

WEARING SURFACE: ASPHALT OVERLAY

APPROACH SLABS: NONE

ALIGNMENT: TANGENT

CROWN: SUPERELEVATION VARIES

STRUCTURAL FILE NUMBER: 8335192

DATE BUILT: 1990

DISPOSITION: SUPERSTRUCTURE TO BE REPLACED

PROPOSED STRUCTURE

TYPE: PRESTRESSED CONCRETE ADJACENT BOX BEAMS WITH COMPOSITE CAST-IN-PLACE CONCRETE DECK ON MODIFIED CONCRETE CAPPED PILE ABUTMENTS

SPAN: 57'-11"

ROADWAY: 32'-0" FACE/FACE RAILING

LOADING: HL-93 AND 60 PSF FWS

SKEW: 12° 30' 00" LF

WEARING SURFACE: MONOLITHIC CONCRETE

APPROACH SLABS: NONE

ALIGNMENT: TANGENT

CROWN: SUPERELEVATION VARIES

COORDINATES: LATITUDE 39° 19' 27.32"
 LONGITUDE 84° 15' 30.88"

DESIGN AGENCY: PALMER ENGINEERING
 DATE: 1/22/2018
 REVIEWED: BUJ
 DRAWN: SDW
 DESIGNED: MJS
 CHECKED: CEJ
 WARREN COUNTY
 STA. 15+52.91
 STA. 16+13.91
 SOCIALVILLE-FOSTERS RD (CR32) OVER SIMPSON CREEK
 BRIDGE NO. WAR-CR32-0514
 WAR-CR32-5.14
 PID No. NONE
 1/11
 27/37

O:\DDOT\WAR\Socialville-Fosters Road Bridge_CR32_5.14\Design\Structures\WAR032_514C_Sheets\RO32_514C_SNO01.dgn Sheet 11/16/2018 2:24:31PM chr1s-s

REFER TO THE FOLLOWING STANDARD BRIDGE DRAWINGS:

DBR-2-73	REVISED	07-19-02
PSBD-2-07	REVISED	07-20-18
DS-1-92	REVISED	07-18-03

OPERATIONAL IMPORTANCE:

A LOAD MODIFIER OF 1 HAS BEEN ASSUMED FOR THE DESIGN OF THIS STRUCTURE IN ACCORDANCE WITH AASHTO LRFD BRIDGE DESIGN SPECIFICATIONS ARTICLE 1.3.5 AND THE ODOT BRIDGE DESIGN MANUAL, 2007.

DESIGN SPECIFICATIONS:

THIS STRUCTURE CONFORMS TO THE "LRFD BRIDGE DESIGN SPECIFICATIONS" ADOPTED BY THE AMERICAN ASSOCIATION OF STATE HIGHWAY AND TRANSPORTATION OFFICIALS, 8TH EDITION, AND THE ODOT BRIDGE DESIGN MANUAL, 2007.

DESIGN LOADING:

HL-93 AND FUTURE WEARING SURFACE (FWS) OF 60 PSF

DESIGN DATA:

CONCRETE CLASS QC2 - COMPRESSIVE STRENGTH 4500 PSI (SUPERSTRUCTURE)

CONCRETE CLASS QC1 - COMPRESSIVE STRENGTH 4000 PSI (SUBSTRUCTURE)

REINFORCING STEEL - MINIMUM YIELD STRENGTH 60,000 PSI
CONCRETE FOR PRESTRESSED BEAMS:

COMPRESSIVE STRENGTH (FINAL) = 7000 PSI

COMPRESSIVE STRENGTH (RELEASE) = 7000 PSI

PRESTRESSING STRAND

AREA = 0.167 sq in

ULTIMATE STRENGTH = 270 KSI

INITIAL STRESS = 202.5 KSI (LOW RELAXATION STRAND)

DECK PROTECTION METHOD:

EPOXY COATED REINFORCING STEEL

2 1/2" CONCRETE COVER

STEEL DRIP STRIP

SRS TREATMENT

SEALING OF CONCRETE SURFACES

MONOLITHIC WEARING SURFACE:

MONOLITHIC WEARING SURFACE IS ASSUMED, FOR DESIGN PURPOSES, TO BE 1" THICK

ITEM 202, PORTIONS OF STRUCTURE REMOVED, OVER 20 FOOT SPAN, AS PER PLAN:

AFTER THE SUPERSTRUCTURE REMOVAL, REMOVE EXISTING BEAM ANCHOR DOWELS FROM ABUTMENT SEATS BY CORING THE CONCRETE AROUND THE DOWELS. REMOVE EXISTING ABUTMENT WINGWALLS AND BACKWALLS, IF PRESENT, DOWN TO THE EXISTING BEAM SEAT ELEVATIONS. REMOVE CONCRETE BY MEANS OF APPROVED PNEUMATIC HAMMERS EMPLOYING POINTED AND BLUNT CHISEL TOOLS. HYDRAULIC HOE-RAM TYPE HAMMERS WILL NOT BE PERMITTED. THE WEIGHT OF THE HAMMER SHALL NOT BE MORE THAN 35 POUNDS. DO NOT PLACE PNEUMATIC HAMMERS IN DIRECT CONTACT WITH REINFORCING STEEL THAT IS TO BE RETAINED IN THE REBUILT STRUCTURE. SAW CUT BOUNDARIES OF PROPOSED CONCRETE REMOVALS 1 INCH DEEP. REMOVE CONCRETE TO A ROUGH SURFACE.

CONSTRUCTION JOINT PREPARATION

INSTALL DOWEL BARS, AS SPECIFIED. PRIOR TO CONCRETE PLACEMENT ABRASIVELY CLEAN JOINT SURFACES AND EXISTING EXPOSED REINFORCEMENT TO REMOVE LOOSE AND DISINTEGRATED CONCRETE AND LOOSE RUST. THOROUGHLY CLEAN THE JOINT SURFACE AND EXPOSED REINFORCEMENT OF ALL DIRT, DUST, RUST OR OTHER FOREIGN MATERIAL BY THE USE OF WATER, AIR UNDER PRESSURE, OR OTHER METHODS THAT PRODUCE SATISFACTORY RESULTS. THOROUGHLY DRENCH EXISTING CONCRETE SURFACES WITH CLEAN WATER AND ALLOW TO DRY TO A DAMP CONDITION BEFORE PLACING CONCRETE.

EXISTING STRUCTURE VERIFICATION

DETAILS AND DIMENSIONS SHOWN ON THESE PLANS PERTAINING TO THE EXISTING STRUCTURE HAVE BEEN OBTAINED FROM PLANS OF THE EXISTING STRUCTURE AND FROM FIELD OBSERVATIONS AND MEASUREMENTS. CONSEQUENTLY, THEY ARE INDICATIVE OF THE EXISTING STRUCTURE AND THE PROPOSED WORK BUT THEY SHALL BE CONSIDERED TENTATIVE AND APPROXIMATE. THE CONTRACTOR IS REFERRED TO CMS SECTIONS 102.05, 105.02 AND 513.04. BASE CONTRACT BID PRICES ON A RECOGNITION OF THE UNCERTAINTIES DESCRIBED ABOVE AND UPON A PRE-BID EXAMINATION OF THE EXISTING STRUCTURE.

BEARING PAD SHIMS:

PLACE 1/8" THICK PREFORMED BEARING PAD SHIMS, PLAN AREA 8" X 12", UNDER THE ELASTOMERIC BEARING PADS WHERE REQUIRED FOR PROPER BEARING. FURNISH TWO SHIMS PER BEAM. THE DEPARTMENT WILL MEASURE THIS ITEM BY THE TOTAL NUMBER SUPPLIED. THE DEPARTMENT WILL PAY FOR ACCEPTED QUANTITIES AT THE CONTRACT PRICE FOR ITEM 516 - 1/8" PREFORMED BEARING PADS. ANY UNUSED SHIMS WILL BECOME THE PROPERTY OF THE WARREN COUNTY ENGINEER.

DECK PLACEMENT DESIGN ASSUMPTIONS

THE FOLLOWING ASSUMPTIONS OF CONSTRUCTION MEANS AND METHODS WERE MADE FOR THE ANALYSIS AND DESIGN OF THE SUPERSTRUCTURE. THE CONTRACTOR IS RESPONSIBLE FOR THE DESIGN OF THE SUPERSTRUCTURE. THE CONTRACTOR IS RESPONSIBLE FOR THE DESIGN OF THE FALSEWORK SUPPORT SYSTEM WITHIN THESE PARAMETERS AND WILL ASSUME RESPONSIBILITY FOR SUPERSTRUCTURES ANALYSIS FOR DEVIATION FROM THESE DESIGN ASSUMPTIONS.

AN EIGHT WHEEL FINISHING MACHINE WITH A MAXIMUM WHEEL LOAD OF 2.236 KIPS.

A MINIMUM OUT-TO-OUT WHEEL SPACING AT EACH END OF THE MACHINE OF 103 INCHES.

A MAXIMUM SPACING OF OVERHANG FALSEWORK BRACKETS OF 48 INCHES.

A MAXIMUM DISTANCE FROM THE CENTERLINE OF THE FASCIA GIRDER TO THE FACE OF THE SAFETY HANDRAIL OF 71 INCHES.



DESIGN AGENCY
PALMER ENGINEERING
1850 EAST KENNEDY RD., SUITE B
CINCINNATI, OH 45215-1111
TEL: 513-752-1100
FAX: 513-752-1100

REVIEWED
DATE
1/22/2018
BUJ
STRUCTURE FILE NUMBER
8335192

DRAWN
SDW
REVISOR

DESIGNED
MJS
CHECKED
CEJ

GENERAL NOTES
BRIDGE NO. WAR-CR32-0514
SOCIALVILLE-FOSTERS RD (CR32) OVER SIMPSON CREEK

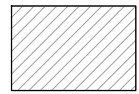
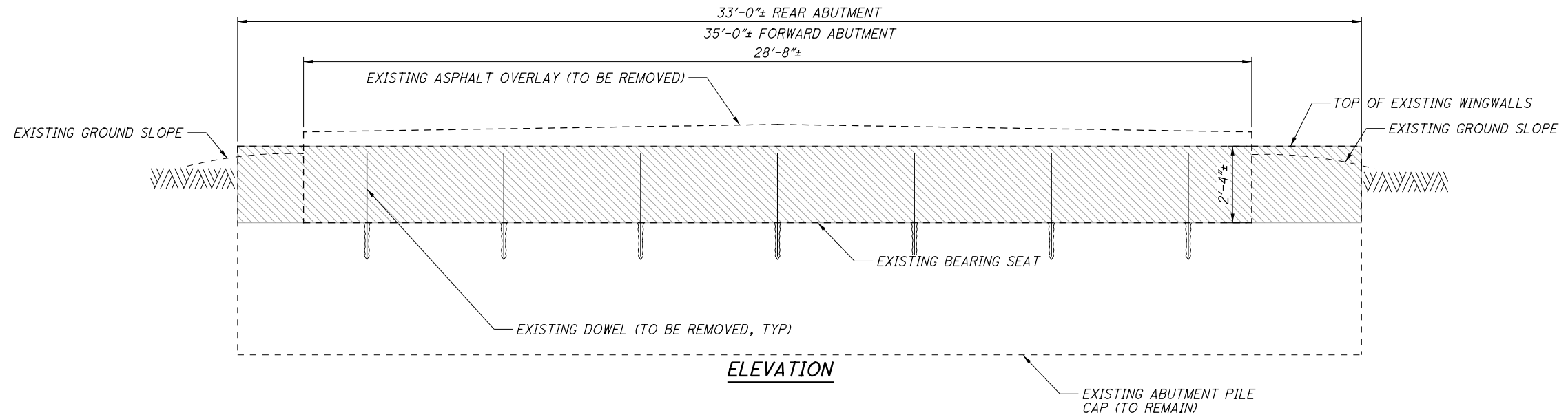
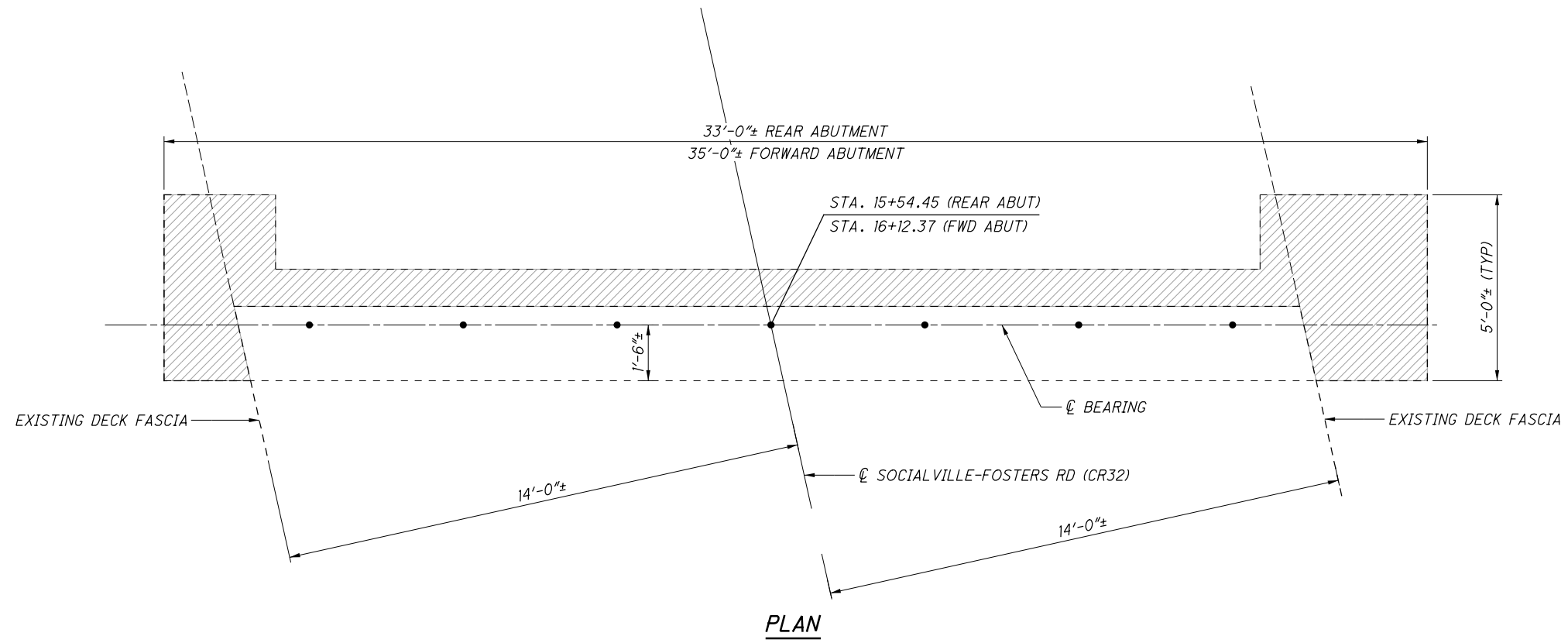
WAR-CR32-5.14
PID No. NONE

2 / 11

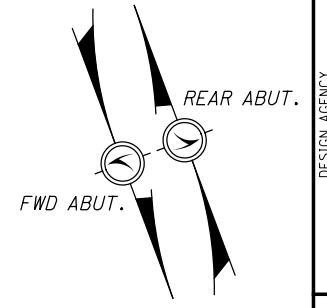
28
37

ESTIMATED QUANTITIES							
ITEM	ITEM EXT.	TOTAL	UNIT	DESCRIPTION	ABUT.	SUPER	GENERAL SHEET
202		LS		PORTIONS OF STRUCTURE REMOVED, OVER 20 FOOT SPAN, AS PER PLAN			2/10
202		190	SY	WEARING COURSE REMOVED			190
304		29	CY	AGGREGATE BASE			29
503		LS		UNCLASSIFIED EXCAVATION			
509		8648	LB	EPOXY COATED REINFORCING STEEL	453	8195	
509		200	LB	REINFORCING STEEL, REPLACEMENT OF EXISTING REFORCING STEEL	200		
510		45	EACH	DOWEL HOLES WITH NONSHRINK, NONMETALLIC GROUT	45		
511		65	CY	CLASS QC2 CONCRETE, SUPERSTRUCTURE		65	
511		6	CY	CLASS QC1 CONCRETE, ABUTMENT	6		
512		92	SY	SEALING OF CONCRETE SURFACES (EPOXY-URETHANE)	22	70	
512		207	SY	TREATING OF CONCRETE BRIDGE DECK WITH SRS		207	
515		7	EACH	PRESTRESSED CONCRETE COMPOSITE BOX BEAM BRIDGE MEMBERS, LEVEL 1, CB21-48, 59' LONG		7	
516		66	FT	PREFORMED ELASTOMERIC COMPRESSION JOINT SEAL			66
516		34	SF	1" PREFORMED EXPANSION JOINT FILLER		34	
516		72	FT	INTEGRAL ABUTMENT EXPANSION JOINT SEAL	72		
516		14	EACH	1/8" PREFORMED BEARING PAD		14	
516		28	EACH	ELASTOMERIC BEARING WITH INTERNAL LAMINATES ONLY (NEOPRENE), 9" X 12" X 3.0"		28	
517		126	FT	RAILING (DEEP BEAM RAIL WITH STEEL TUBULAR BACKUP AND TYPE 2 STEEL POSTS AND ANCHOR BOLTS)		126	
518		146	FT	STEEL DRIP STRIP		146	

O:\000T\WAR\Socialville-Fosters Road Bridge_CR32_5.14\Design\Structures\WAR032_514C_Sheets\WAR032_514C_SV001.dgn Sheet 11/16/2018 2:24:33 PM chris-s

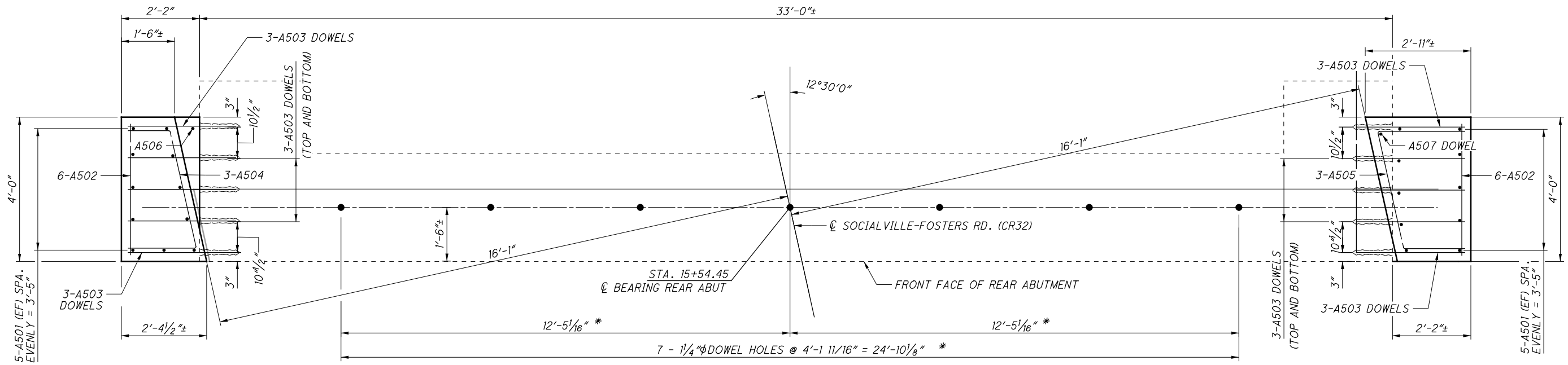


PORTIONS OF ABUTMENT TO BE REMOVED



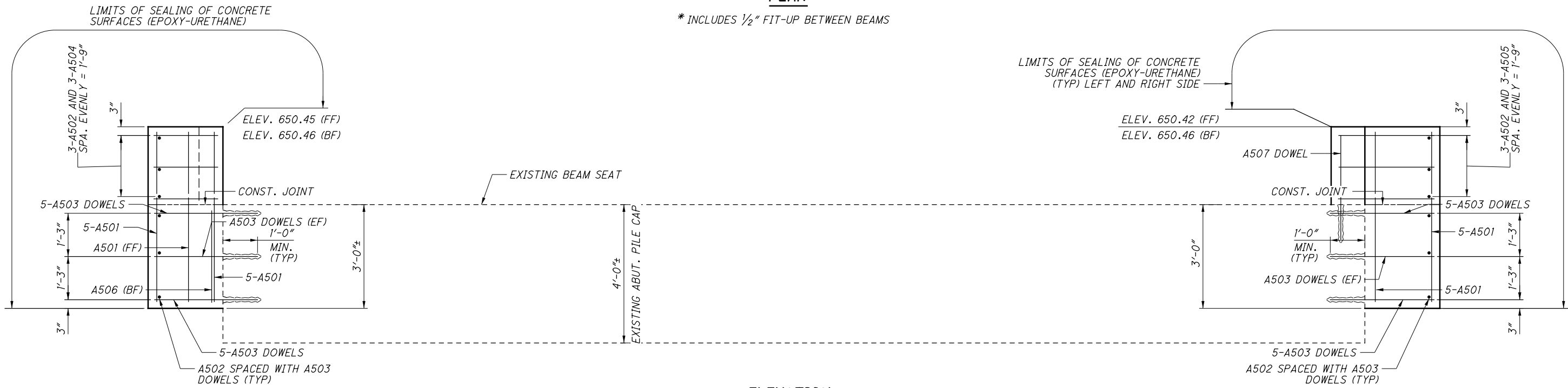
DESIGNED MJS	CHECKED CEJ	REMOVED	DESIGNED AGENCY Palmer Engineering ENGINEERING CORPORATION CINCINNATI, OH 45249 CINCINNATI, OH 45249
		BRIDGE NO. WAR-CR32-0514 SOCIALVILLE-FOSTERS RD (CR32) OVER SIMPSON CREEK	DATE 1/22/2018
DRAWN SDW	REVISOR	REVIEWED BUJ	STRUCTURE FILE NUMBER 8335192
WAR-CR32-5.14		4 / 11	
PID No. NONE		30 37	

O:\DDOT\WAR\Socialville-Fosters Road Bridge_CR32_5.14\Design\Structures\WAR032_514C_Sheets\R032_514C_SR001.dgn Sheet 11/16/2018 2:24:34 PM chris-s



PLAN

* INCLUDES 1/2" FIT-UP BETWEEN BEAMS



ELEVATION

LEGEND

EF = EACH FACE
 FF = FRONT FACE
 BF = BACK FACE

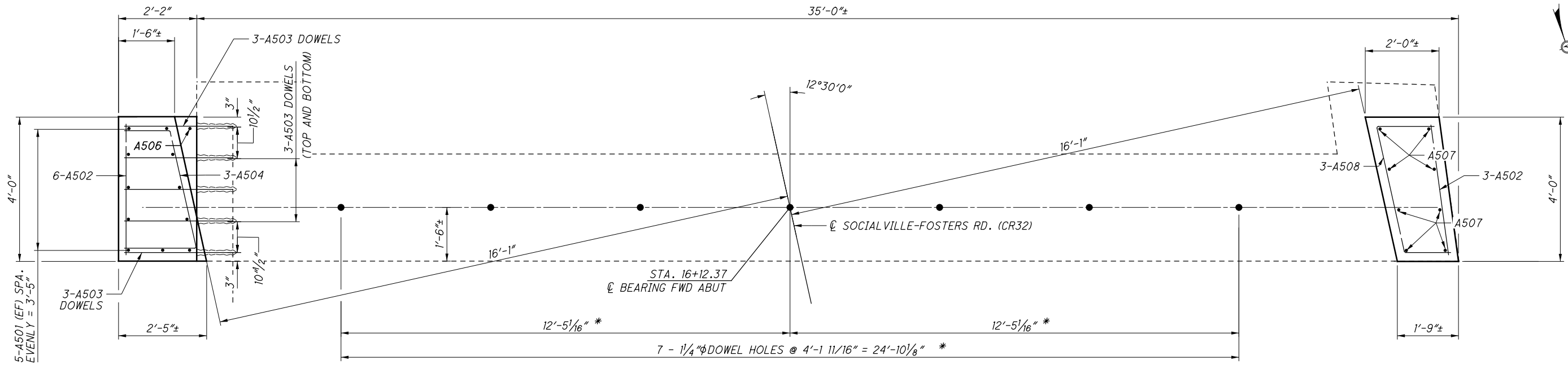
NOTES

1) DO NOT PLACE THE ABUTMENT CONCRETE ABOVE THE BEAM SEAT CONSTRUCTION JOINT UNTIL THE PRESTRESSED CONCRETE BOX BEAMS HAVE BEEN ERECTED.

2) SEE SHEET **8/11** FOR ABUTMENT SECTION.

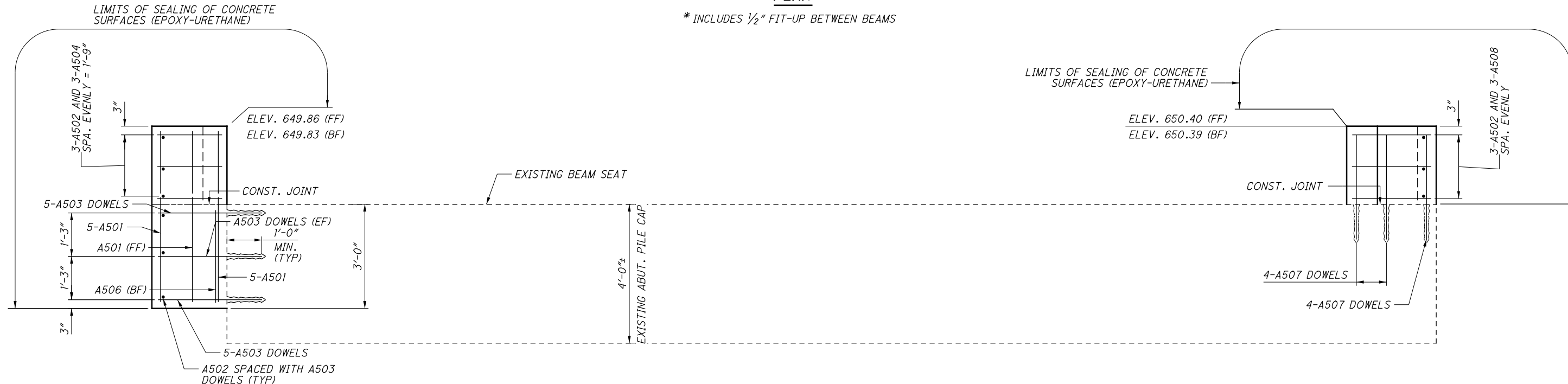
<p>DESIGN AGENCY PALMER ENGINEERING 1000 E. HAMER RD. SUITE B CHARLESTON, WV 25301 CINCINNATI • ARDOR • TALLAHASSEE • FLORIDA</p>	DATE	1/22/2018	
	REVIEWED	BUJ	8335192
DRAWN	SDW	REVIS	
DESIGNED	MJS	CHECKED	CEJ
<p>WAR-CR32-5.14 BRIDGE NO. WAR-CR32-0514 SOCIALVILLE-FOSTERS RD (CR32) OVER SIMPSON CREEK</p>			
<p>PID No. NONE</p>			
<p>5 / 11</p>			
<p>31 37</p>			

O:\DDOT\WAR\Socialville-Fosters Road Bridge_CR32_5.14\Design\Structures\WAR032_514C_Sheets\WAR032_514C_SF001.dgn Sheet 11/16/2018 2:24:35 PM chr1s-s



PLAN

* INCLUDES 1/2" FIT-UP BETWEEN BEAMS



ELEVATION

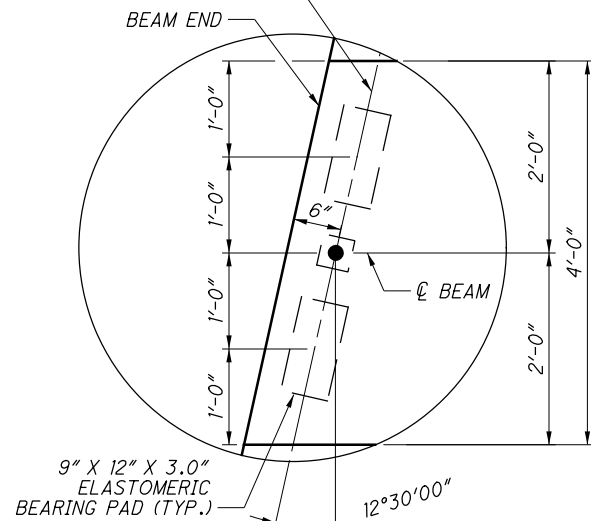
NOTES

- 1) DO NOT PLACE THE ABUTMENT CONCRETE ABOVE THE BEAM SEAT CONSTRUCTION JOINT UNTIL THE PRESTRESSED CONCRETE BOX BEAMS HAVE BEEN ERECTED.
- 2) SEE SHEET 8/11 FOR ABUTMENT SECTION.

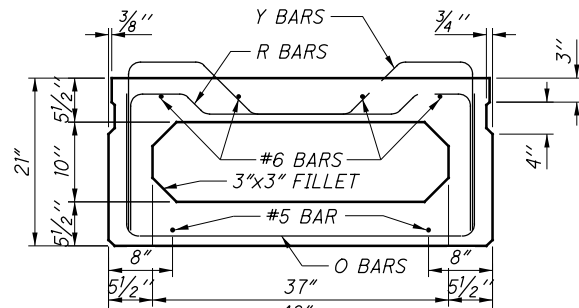
LEGEND
 EF = EACH FACE
 FF = FRONT FACE
 BF = BACK FACE

<p>DESIGN AGENCY PALMER ENGINEERING 880 E. HANCOCK RD. SUITE B CHESTER, MASSACHUSETTS 01524 TEL: 508-548-1100 FAX: 508-548-1100</p>	<p>DATE: 1/22/2018</p>
	<p>REVIEWED: BUJ</p>
<p>DRAWN: SDW</p>	<p>STRUCTURE FILE NUMBER: 8335192</p>
<p>DESIGNED: MJS</p>	<p>CHECKED: CEJ</p>
<p>FORWARD ABUTMENT BRIDGE NO. WAR-CR32-0514 SOCIALVILLE-FOSTERS RD (CR32) OVER SIMPSON CREEK</p>	
<p>WAR-CR32-5.14</p>	<p>PID No. NONE</p>
<p>6 / 11</p>	<p>32 / 37</p>

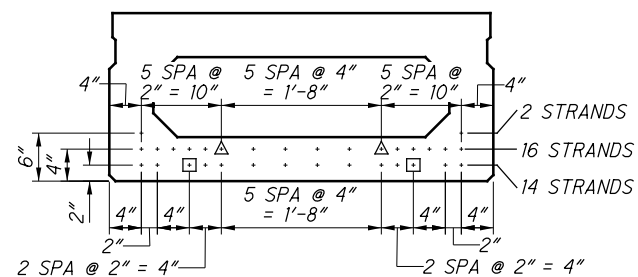
CL BEARING REAR ABUTMENT
CL 2"φ HOLES FOR ANCHOR DOWELS



DETAIL A



CB21-48 MILD REINFORCING

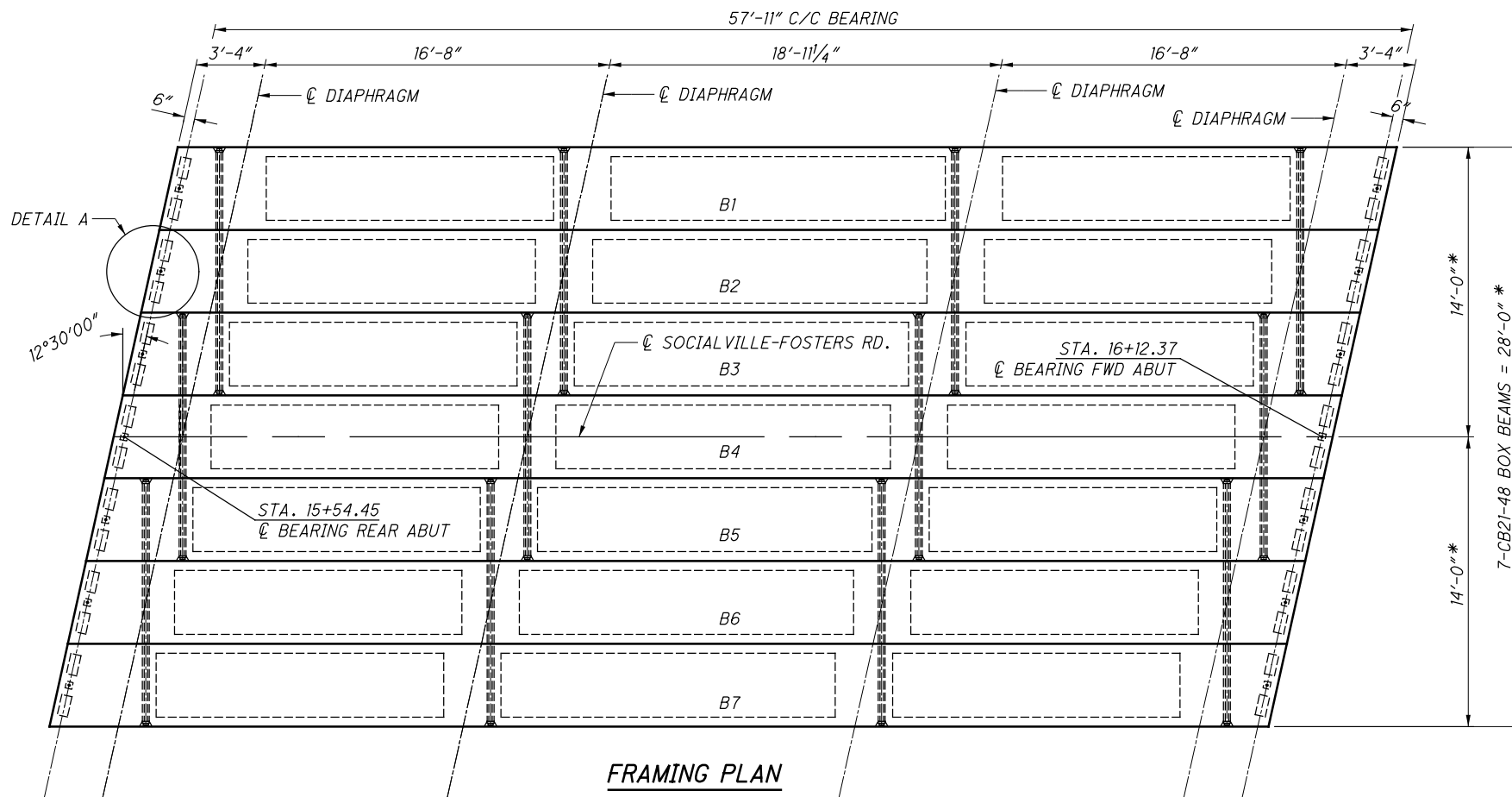


CB21-48 PRESTRESSING STRANDS

- ▲ STRANDS DEBONDED FOR A LENGTH OF 4'-0" AT EACH END OF THE BEAM
- STRANDS DEBONDED FOR A LENGTH OF 6'-0" AT EACH END OF THE BEAM

NOTES FOR CB21-48 BEAMS:

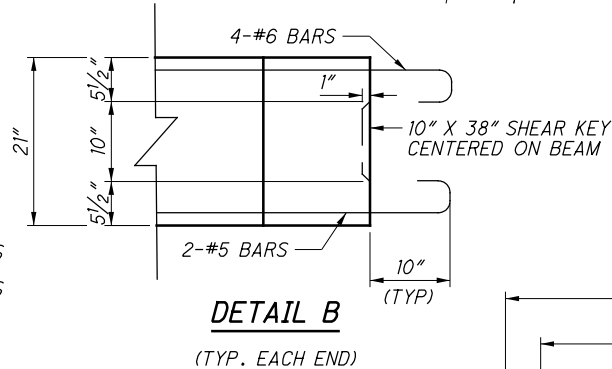
- 1) ESTIMATED CAMBER AT DAY 0 (D₀) IS 1.5".
- 2) ESTIMATED CAMBER AT DAY 30 (D₃₀) IS 2.5".
- 3) DEFLECTION DUE TO REMAINING DEAD LOAD (CONCRETE DECK, RAILING, ETC.) IS 0.8".
- 4) PLACE TWO ADDITIONAL #4 STIRRUP PAIRS AT THE SKEWED ENDS OF THE BEAMS IN ACCORDANCE WITH SCD PSBD-2-07.
- 5) DECK SLAB THICKNESS FOR CONCRETE QUANTITY: THE ESTIMATED QUANTITY OF DECK CONCRETE IS MEASURED ACCORDING TO CMS 511. IN ADDITION TO THE DESIGN SLAB THICKNESS, THE QUANTITY INCLUDES A VARIABLE HAUNCH THICKNESS THAT PROVIDES AN ALLOWANCE FOR VERTICAL GRADE ADJUSTMENT AND BEAM CAMBER.
- 6) FOR BEARING PAD DETAILS, SEE SHEET 10/11.



FRAMING PLAN

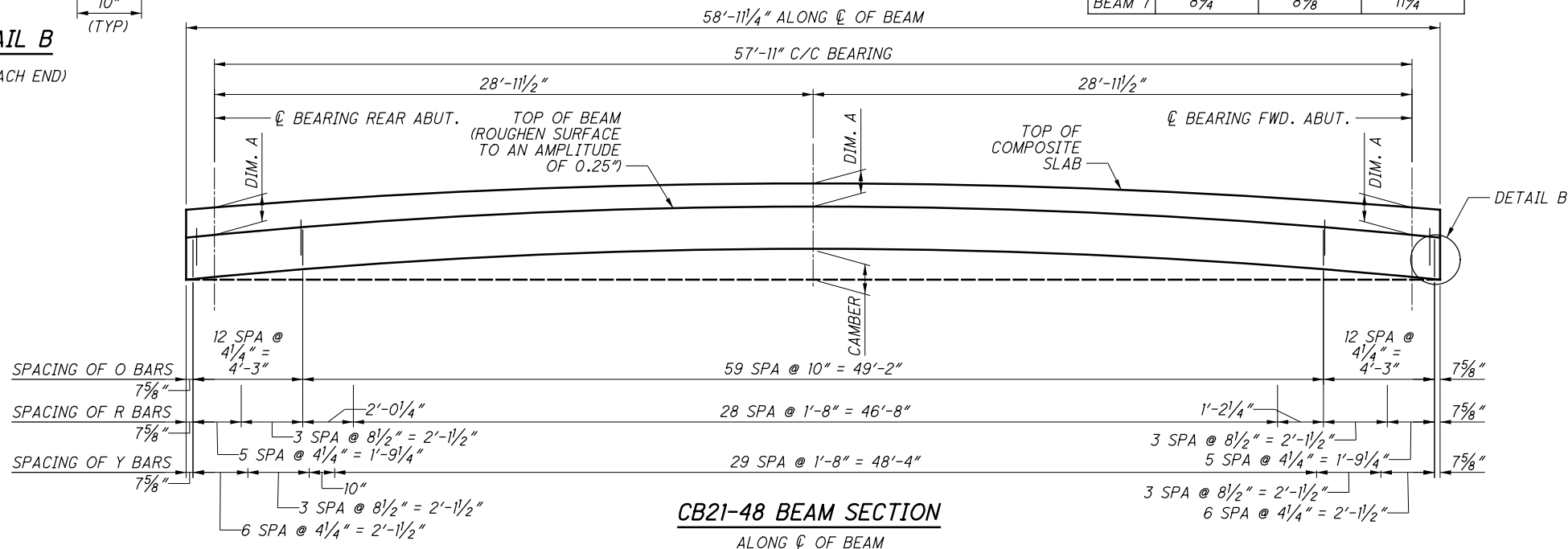
*PLUS FIT-UP

	DECK THICKNESS (DIM. A)		
	REAR ABUT.	MIDSPAN	FWD. ABUT.
BEAM 1	8 5/8"	6"	6 5/8"
BEAM 2	9 3/8"	6 3/4"	7 5/8"
BEAM 3	10 1/4"	7 5/8"	8 5/8"
BEAM 4	11"	8 1/2"	9 1/2"
BEAM 5	10 1/4"	8 1/2"	10 1/4"
BEAM 6	9 1/2"	8 3/8"	11"
BEAM 7	8 3/4"	8 5/8"	11 3/4"



DETAIL B

(TYP. EACH END)

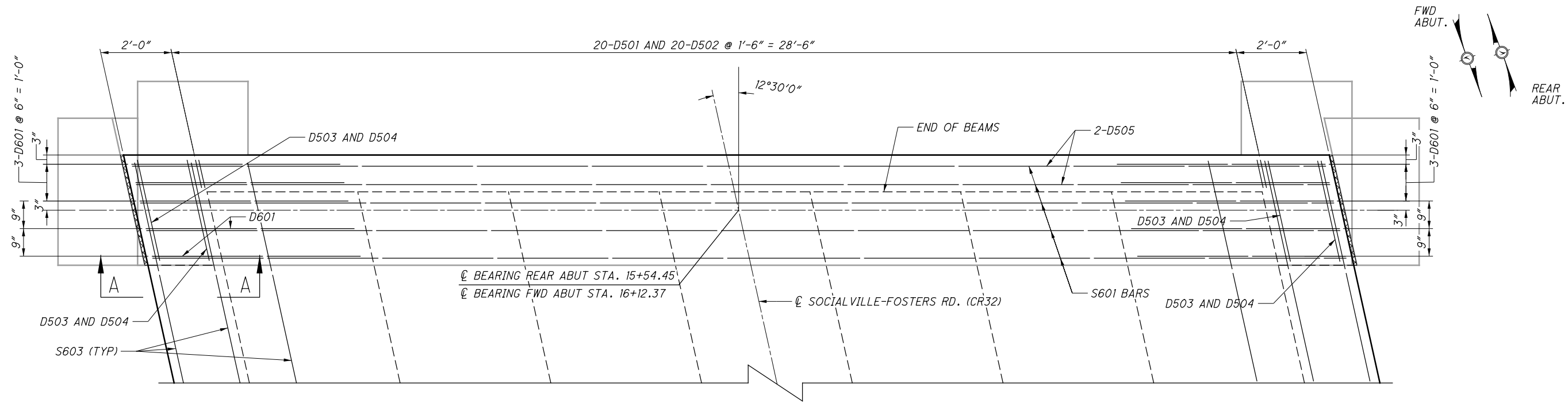


CB21-48 BEAM SECTION

ALONG CL OF BEAM

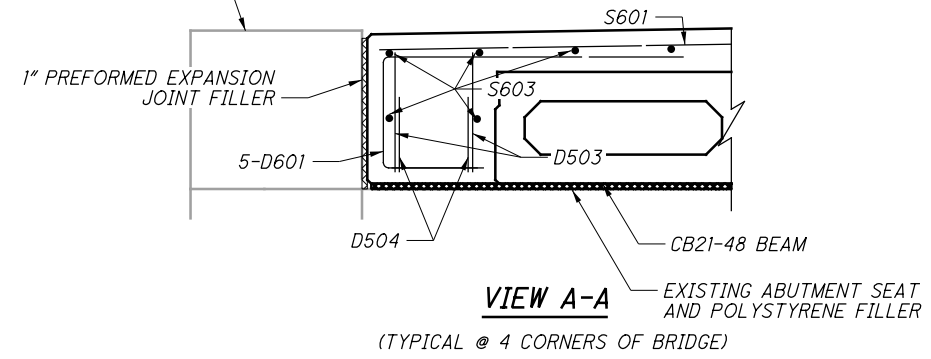


O:\000T\WAR\Socialville-Fosters Road Bridge_CR32_5.14\Design\Structures\WAR032_514C_S5002.dgn Sheet 11/16/2018 2:24:37 PM chris-s

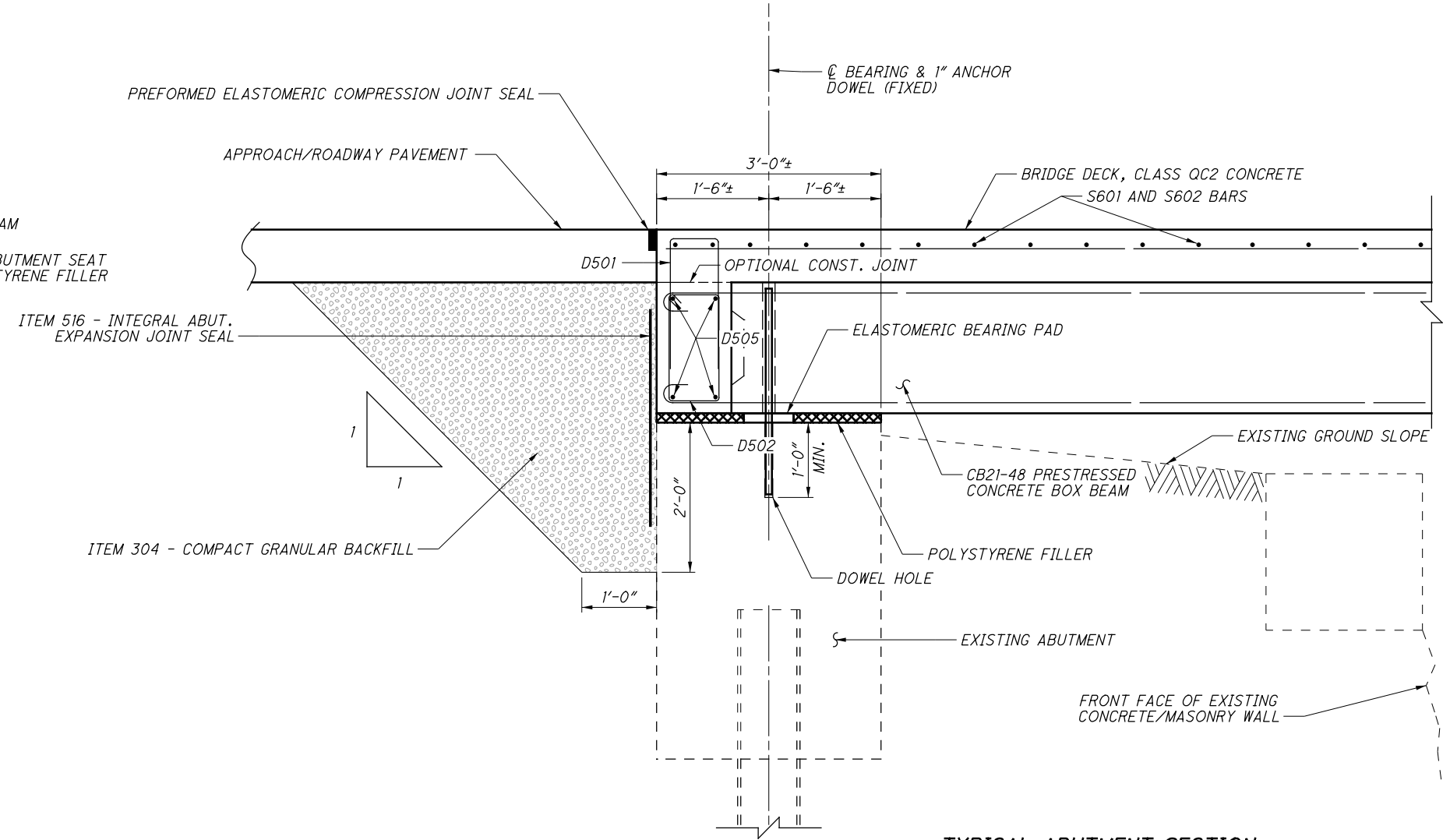


PLAN

SEE SHEETS 5/11 AND 6/11 FOR WINGWALL DETAILS



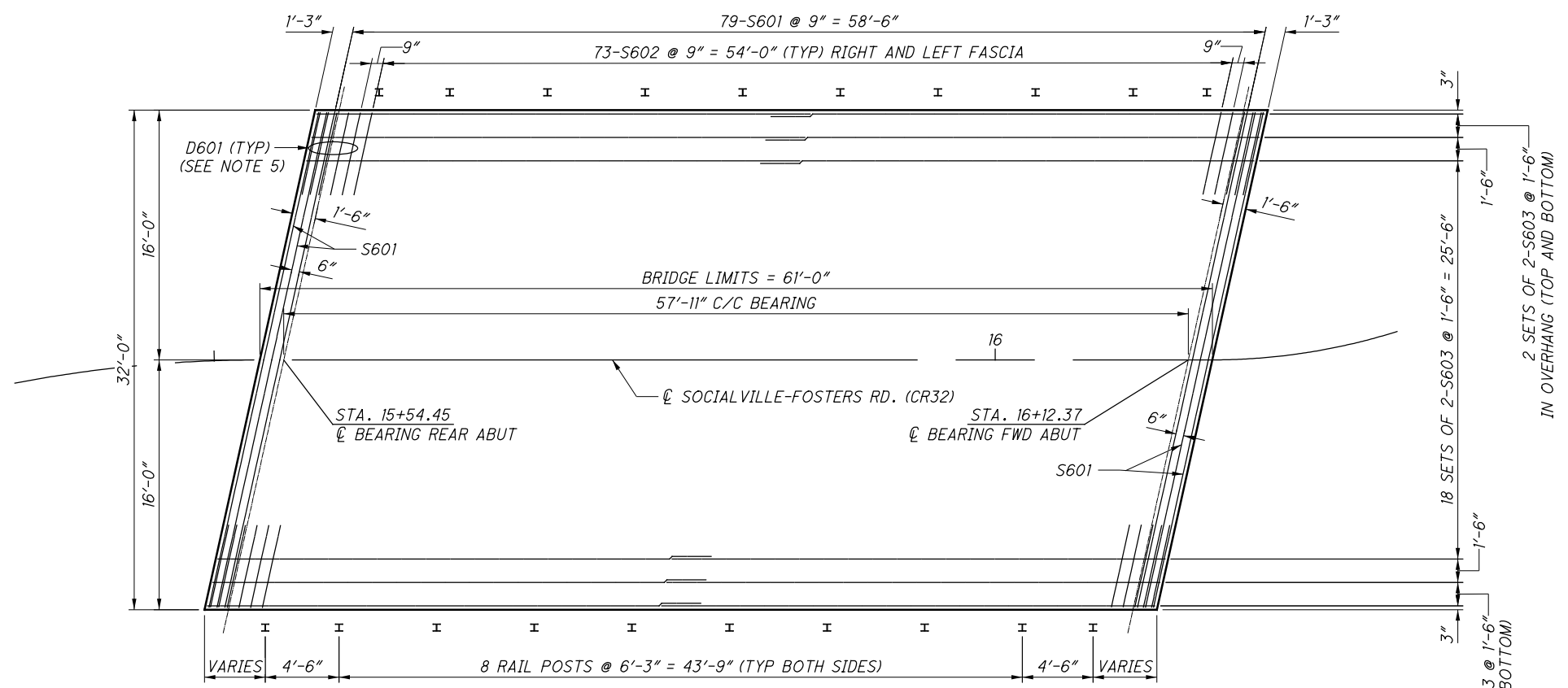
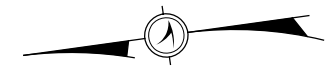
VIEW A-A
(TYPICAL @ 4 CORNERS OF BRIDGE)



TYPICAL ABUTMENT SECTION

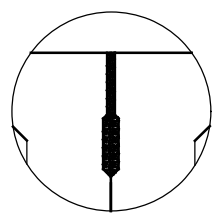
 PALMER ENGINEERING 2850 E. HAMPER RD., SUITE B CHARLESTON, WV 25301-1102 PHONE: 304.762.1100 FAX: 304.762.1100	DESIGN AGENCY	DATE	REVIEWED	DRAWN	DESIGNED
	BUJ	1/22/2018	BUJ	SDW	MJS
	STRUCTURE FILE NUMBER	8335192	REVISED	REVISED	CHEKED
	CEJ				CEJ
END DIAPHRAGM DETAILS BRIDGE NO. WAR-CR32-0514 SOCIALVILLE-FOSTERS RD (CR32) OVER SIMPSON CREEK					
WAR-CR32-5.14 PID No. NONE		8 / 11			
34 37					

O:\000T\WAR\Socialville-Fosters Road Bridge_CR32_5.14\Design\Structures\WAR032_514C_Sheets\WAR032_514C_S0001.dgn Sheet 11/16/2018 2:24:38 PM chris-s



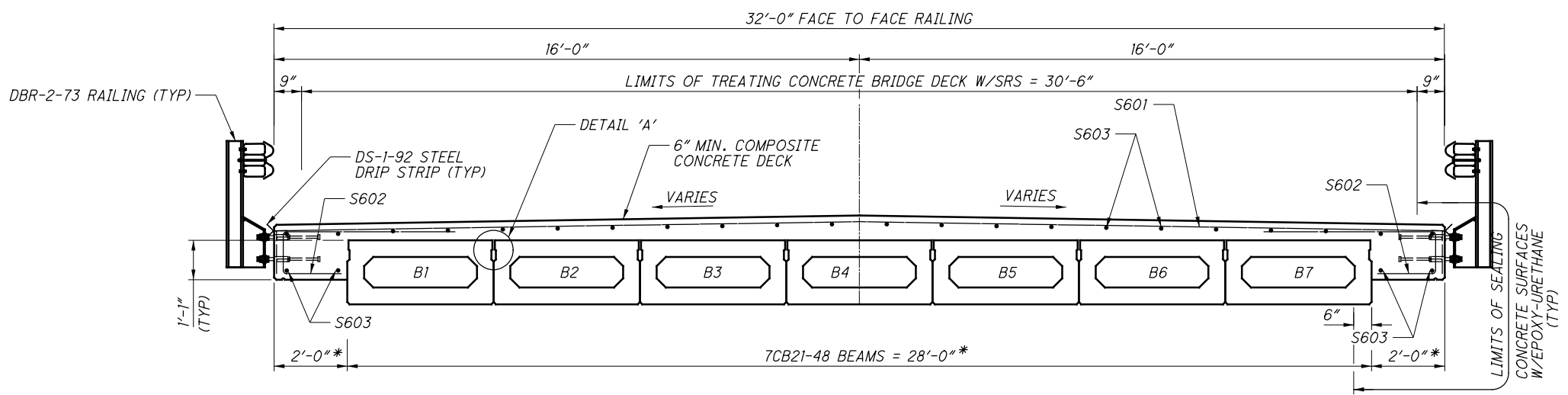
DECK PLAN

#6 BARS MIN. LAP LENGTH = 2'-6"



DETAIL 'A'

SHEAR KEYWAYS SHALL BE MORTARED TO A FINISHED PLANE BETWEEN THE TOP EDGES OF THE ADJACENT BEAMS WHERE VERTICAL OFFSET OCCURS WITHIN TOLERANCES



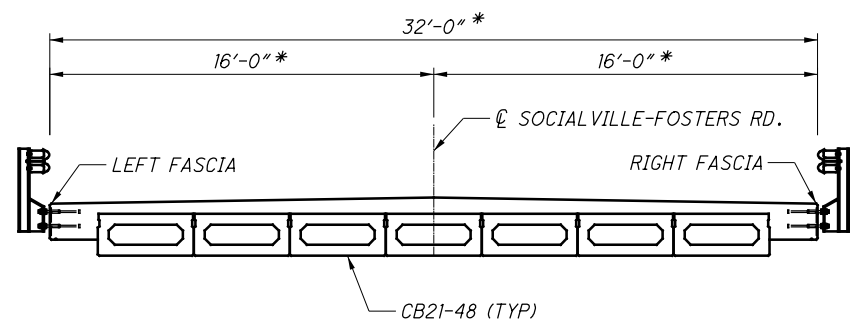
TRANSVERSE SECTION

* PLUS FIT-UP

- NOTES:**
- 1) FOR NOTES REGARDING PRESTRESSED CONCRETE BOX BEAM DETAILS AND FOR ADDITIONAL DETAILS, SEE STD. DWG. PSBD-2-07.
 - 2) SEE SHEET [7/11] FOR FRAMING PLAN AND BEAM DETAILS.
 - 3) FOR NOTES AND ADDITIONAL DETAILS REGARDING THE STEEL DRIP STRIP, SEE STD. DWG. DS-1-92.
 - 4) FOR DECK ELEVATIONS, SEE SHEET [10/11].
 - 5) FOR ADDITIONAL DECK END AND DIAPHRAGM DETAILS SEE SHEET [8/11].

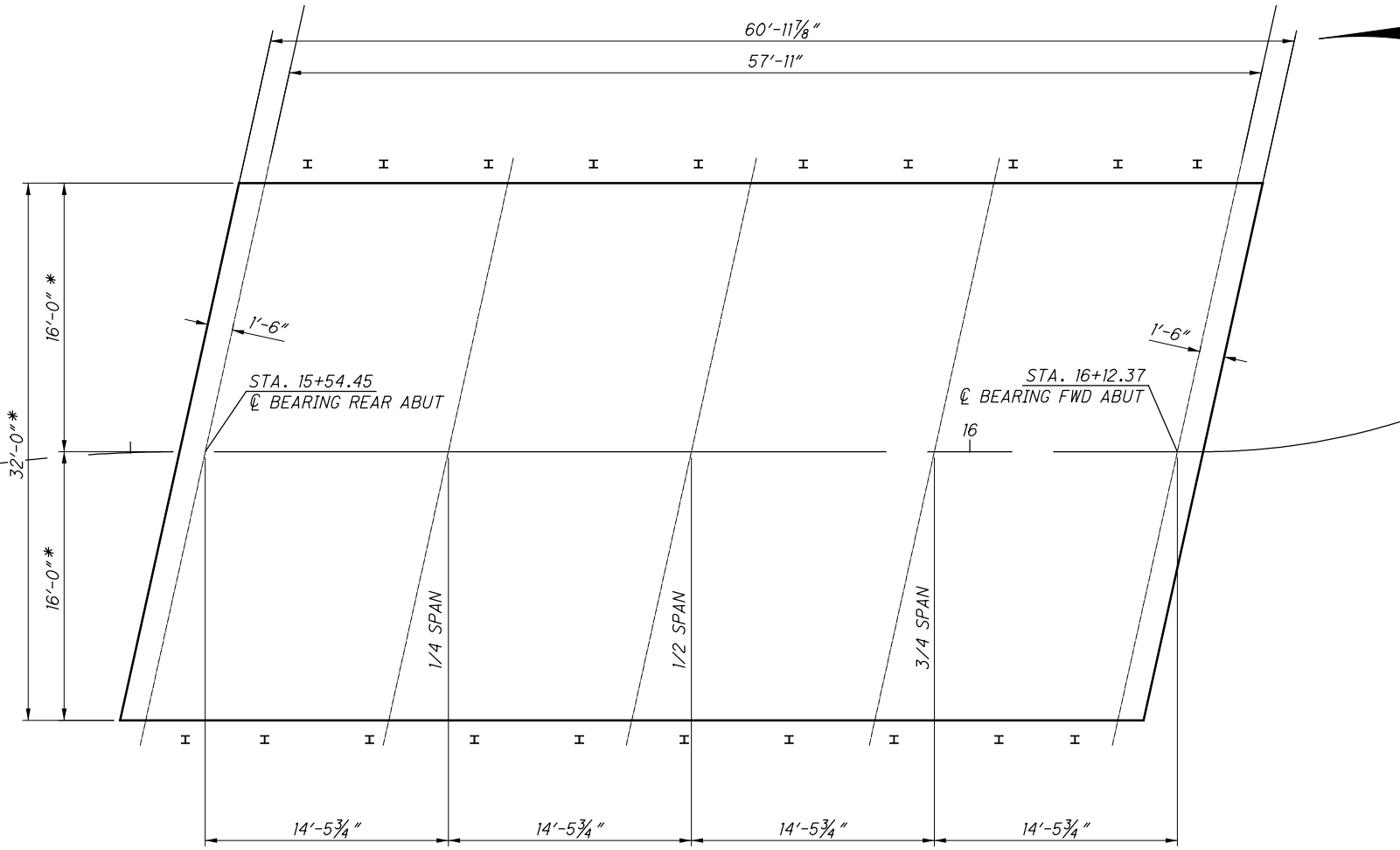
	DESIGN AGENCY J. PALMER ENGINEERING, INC.	DATE 1/22/2018	REVIEWED BUJ	STRUCTURE FILE NUMBER 8335192
DRAWN SDW	CHECKED CEJ	REVISIONS NONE	DECK DETAILS BRIDGE NO. WAR-CR32-0514 SOCIALVILLE-FOSTERS RD (CR32) OVER SIMPSON CREEK	
WAR-CR32-5.14		PID No. NONE		9 / 11 35 / 37

O:\000T\WAR\Civilville-Fosters Road Bridge_CR32_5.14\Design\Structures\WAR032_514C_S5003.dgn Sheet 11/16/2018 2:24:39 PM chr1s-s



TRANSVERSE SECTION

* PLUS FIT-UP



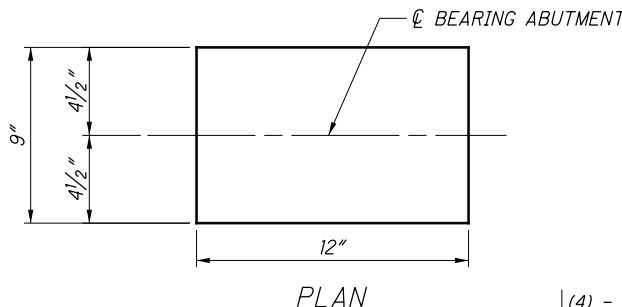
DECK ELEVATIONS SCHEMATIC

* PLUS FIT-UP

SCREED ELEVATION LOCATIONS					
LOCATION	CL BEARING REAR ABUT.	1/4 SPAN	1/2 SPAN	3/4 SPAN	CL BEARING FWD. ABUT.
LEFT FASCIA	15+57.99	15+72.47	15+86.95	16+01.43	16+15.90
CL CR32	15+54.44	15+68.92	15+83.40	15+97.88	16+12.36
RIGHT FASCIA	15+50.89	15+65.37	15+79.85	15+94.33	16+08.81

SCREED ELEVATIONS					
LOCATION	CL BEARING REAR ABUT.	1/4 SPAN	1/2 SPAN	3/4 SPAN	CL BEARING FWD. ABUT.
LEFT FASCIA	650.44	650.36	650.24	650.06	649.84
CL CR32	650.71	650.61	650.50	650.34	650.16
RIGHT FASCIA	650.45	650.52	650.54	650.50	650.40

FINAL DECK SURFACE ELEVATIONS					
LOCATION	CL BEARING REAR ABUT.	1/4 SPAN	1/2 SPAN	3/4 SPAN	CL BEARING FWD. ABUT.
LEFT FASCIA	650.44	650.29	650.14	649.99	649.84
BEAM 1	650.51	650.36	650.22	650.07	649.92
BEAM 2	650.57	650.43	650.29	650.15	650.00
BEAM 3	650.64	650.50	650.36	650.22	650.08
CL CR32 & BEAM 4	650.71	650.57	650.44	650.30	650.16
BEAM 5	650.64	650.54	650.43	650.33	650.22
BEAM 7	650.58	650.51	650.43	650.36	650.28
BEAM 8	650.52	650.47	650.43	650.39	650.34
RIGHT FASCIA	650.45	650.44	650.43	650.42	650.40



BEARING PAD DETAILS

NOTES FOR ELASTOMERIC BEARINGS:

DEAD LOAD = 25.3 KIPS (UNFACTORED)
 LIVE LOAD = 29.5 KIPS (UNFACTORED, WITHOUT DYNAMIC ALLOWANCE)
 TOTAL LOAD = 54.8 KIPS (UNFACTORED)

THE ELASTOMER SHALL HAVE HARDNESS OF 50 DUROMETER. THE BEARINGS WERE DESIGNED IN ACCORDANCE WITH SECTION 14.7.6 (METHOD A) OF THE AASHTO LRFD BRIDGE DESIGN SPECIFICATIONS. THE LONG-TERM COMPRESSION PROOF LOAD TEST (AASHTO STANDARD SPECIFICATIONS FOR HIGHWAY BRIDGES, DIVISION II, SECTION 18.7.2.6) IS NOT REQUIRED.

- (4) - 0.50" INTERIOR ELASTOMER LAYERS
- (2) - 0.30" EXTERIOR ELASTOMER LAYERS
- (5) - 0.074" STEEL LAMINATES

NOTES:

- 1) SCREED ELEVATIONS SHOWN REPRESENT THE THEORETICAL DECK SURFACE LOCATION PRIOR TO DEFLECTIONS CAUSED BY DECK PLACEMENT AND OTHER ANTICIPATED DEAD LOADS.
- 2) FINAL DECK SURFACE ELEVATIONS SHOWN REPRESENT THE DECK SURFACE LOCATION AFTER ALL ANTICIPATED DEAD LOAD DEFLECTIONS HAVE OCCURRED.
- 3) FOR BEARING PAD LOCATIONS, SEE SHEET 7/11.

LOCATION	BEARING DESIGN DATA										
	UNFACTORED LOAD (KIPS)			DIMENSION (IN)					NO. OF t_i	NO. OF STEEL LAMINATES (14 GAUGE)	NUMBER REQUIRED
	DL	LL*	MAXIMUM DESIGN LOAD	WIDTH	LENGTH	THICKNESS	t_i	t_e			
ABUTMENTS	25.3	29.5	54.8	12	9	2.97	0.50	0.30	4	5	28

DESIGN AGENCY: PALMER ENGINEERING

DESIGNER: J. PALMER

PROJECT: SOCIALVILLE-FOSTERS RD. OVER SIMPSON CREEK

DATE: 1/22/2018

REVIEWED: BUJ

STRUCTURE FILE NUMBER: 8535192

DESIGNED: MUS

CHECKED: CEJ

WAR-CR32-5.14

PID No. NONE

BRIDGE NO. WAR-CR32-0514

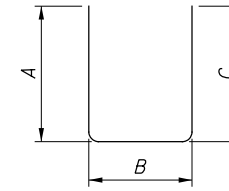
SOCIALVILLE-FOSTERS RD (CR32) OVER SIMPSON CREEK

10 / 11

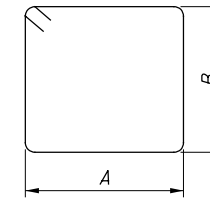
36

37

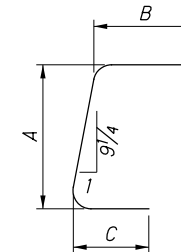
REINFORCING STEEL LIST										
MARK	NUMBER			LENGTH	WEIGHT (LBS.)	TYPE	DIMENSIONS			
	REAR	FWD.	TOTAL				A	B	C	INC.
ABUTMENTS										
A501	21	11	32	4' - 8"	156	STR				
A502	12	9	21	3' - 7"	79	STR				
A503	24	12	36	2' - 9"	104	STR				
A504	3	3	6	5' - 10"	37	37	3' - 3"	1' - 1"	1' - 9"	
A505	3		3	7' - 1"	23	37	3' - 3"	2' - 6"	1' - 7"	
A506	1	1	2	2' - 7"	6	STR				
A507	1	8	9	3' - 1"	29	STR				
A508		3	3	5' - 11"	19	37	3' - 8"	0' - 11"	1' - 7"	
ABUTMENT TOTAL					453					
END DIAPHRAGMS										
D501	20	20	40	3' - 9"	157	2	1' - 8"	0' - 8"	1' - 8"	
D502	20	20	40	4' - 5"	183	3	0' - 7"	1' - 4"		
D503	4	4	8	9' - 5"	79	3	2' - 7"	1' - 10"		
D504	4	4	8	4' - 0"	34	2	0' - 10"	2' - 7"	0' - 10"	
D505	4	4	8	28' - 0"	234	STR				
D601	10	10	20	8' - 5"	253	2	5' - 7"	1' - 7"	1' - 7"	
END DIAPHRAGM TOTAL					940					
SUPERSTRUCTURE										
S601			83	31' - 7"	3,938	STR				
S602			73	7' - 9"	850	2	5' - 7"	0' - 11"	1' - 7"	
S603			52	31' - 7"	2,467	STR				
SUPERSTRUCTURE TOTAL					7,255					
GRAND TOTAL					8,648					



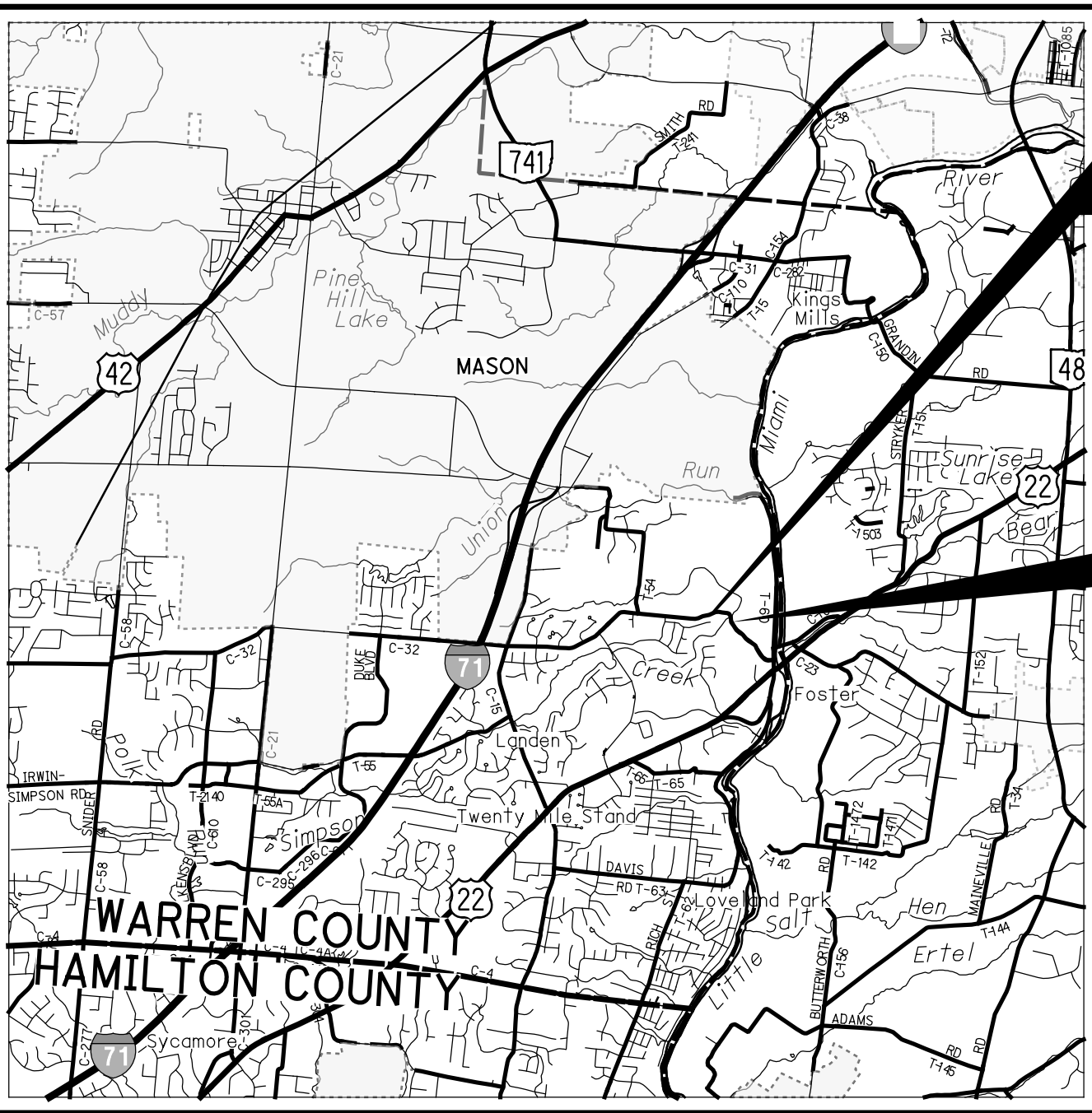
TYPE-2



TYPE-3



TYPE-37



LOCATION MAP

LATITUDE: 39°19'27" LONGITUDE: 84°15'51"



PORTION TO BE IMPROVED	—————	▬▬▬▬▬
INTERSTATE HIGHWAY	-----	▬▬▬▬▬
FEDERAL ROUTES	-----	▬▬▬▬▬
STATE ROUTES	-----	▬▬▬▬▬
COUNTY & TOWNSHIP ROADS	-----	▬▬▬▬▬
OTHER ROADS	-----	▬▬▬▬▬

DESIGN DESIGNATION

CURRENT ADT (2019)	7,100
DESIGN YEAR ADT (2039)	8,500
DESIGN HOURLY VOLUME (2039)	850
DIRECTIONAL DISTRIBUTION	0.60
TRUCKS (24 HOUR B&C)	0.03
DESIGN SPEED	40 MPH
LEGAL SPEED	40 MPH
DESIGN FUNCTIONAL CLASSIFICATION:	
URBAN LOCAL ROAD	
NHS PROJECT	NO

DESIGN EXCEPTIONS

NONE REQUIRED

UNDERGROUND UTILITIES

CONTACT BOTH SERVICES TWO WORKING DAYS BEFORE YOU DIG.

Call Before You Dig
1-800-362-2764

(Non-members must be called directly)

OIL & GAS PRODUCERS
UNDERGROUND PROTECTION SERVICE
1-800-925-0988

PLAN PREPARED BY:

PALMER ENGINEERING
8350 EAST KEMPER ROAD - SUITE B
CINCINNATI, OH 45249
WINCHESTER • NASHVILLE • LOUISVILLE •
CINCINNATI • AKRON • TALLAHASSEE • ORLANDO

ENGINEERS SEAL:

SIGNED: *[Signature]*
DATE: 11/17/18

ENGINEERS SEAL:

SIGNED: *[Signature]*
DATE: 11/19/18

STRUCTURES OVER 20'

STANDARD CONSTRUCTION DRAWINGS				SUPPLEMENTAL SPECIFICATIONS	SPECIAL PROVISIONS
BP-3.1	7/18/14	MT-101.60	1/20/17	800-2016 10/19/18	
BP-5.1	7/20/18	MT-105.10	7/19/13	832 10/19/18	
DM-4.3	1/15/16	TC-41.20	10/18/13		
DM-4.4	1/15/16	TC-42.20	10/18/13		
		TC-61.30	1/20/17		
DBR-2-73	7/19/02				
DS-1-92	7/18/03				
PSBD-2-07	7/20/18				

WAR-CR32-5.14

SOCIALVILLE-FOSTERS ROAD

DEERFIELD TOWNSHIP

WARREN COUNTY

INDEX OF SHEETS:

TITLE SHEET	1
TYPICAL SECTIONS	2
GENERAL NOTES	3
MAINTENANCE OF TRAFFIC	4 - 5
GENERAL SUMMARY	6
ESTIMATED QUANTITIES	7
PLAN AND PROFILE	8 - 9
CROSS SECTIONS	10 - 15
GUARDRAIL DETAILS	16
GUARDRAIL PLAN INSERT SHEETS	17 - 24
TRAFFIC CONTROL	25 - 26
STRUCTURES 20' AND OVER	27 - 37

BRIDGE NO. WAR-32-0514

PROJECT DESCRIPTION

SUPERSTRUCTURE REPLACEMENT OF BRIDGE WAR-CR32-0514 OVER SIMPSON CREEK. PROJECT INCLUDES MINIMAL APPROACH WORK, GUARDRAIL REPLACEMENT, SIGNING AND STRIPING. NO WORK WILL OCCUR IN-STREAM.

EARTH DISTURBED AREAS

PROJECT EARTH DISTURBED AREA:	0.1 ACRES
ESTIMATED CONTRACTOR EARTH DISTURBED AREA:	0.2 ACRES
NOTICE OF INTENT EARTH DISTURBED AREA:	N/A ACRES (ROUTINE MAINTENANCE)

2016 SPECIFICATIONS

THE STANDARD SPECIFICATIONS OF THE STATE OF OHIO, DEPARTMENT OF TRANSPORTATION, INCLUDING SUPPLEMENTAL SPECIFICATIONS LISTED IN THE PLANS AND CHANGES LISTED IN THE PROPOSAL SHALL GOVERN THIS IMPROVEMENT.

I HEREBY APPROVE THESE PLANS AND DECLARE THAT THE MAKING OF THIS IMPROVEMENT WILL REQUIRE THE CLOSING TO TRAFFIC OF THE HIGHWAY AND THAT DE-TOURS WILL BE PROVIDED AS INDICATED ON SHEET 5.

APPROVED _____
DATE _____ WARREN COUNTY COMMISSIONER

APPROVED _____
DATE _____ WARREN COUNTY COMMISSIONER

APPROVED _____
DATE _____ WARREN COUNTY COMMISSIONER

APPROVED _____
DATE _____ WARREN COUNTY ENGINEER

O:\000T\WAR\Socialville-Fosters Road_Bridge_CR32_5.14\Design\Roadway\Sheets\CR32_5.14_GTO01.dgn Sheet 11/19/2018 10:45:43 AM scott-w

FEDERAL PROJECT NO.

PID NO.

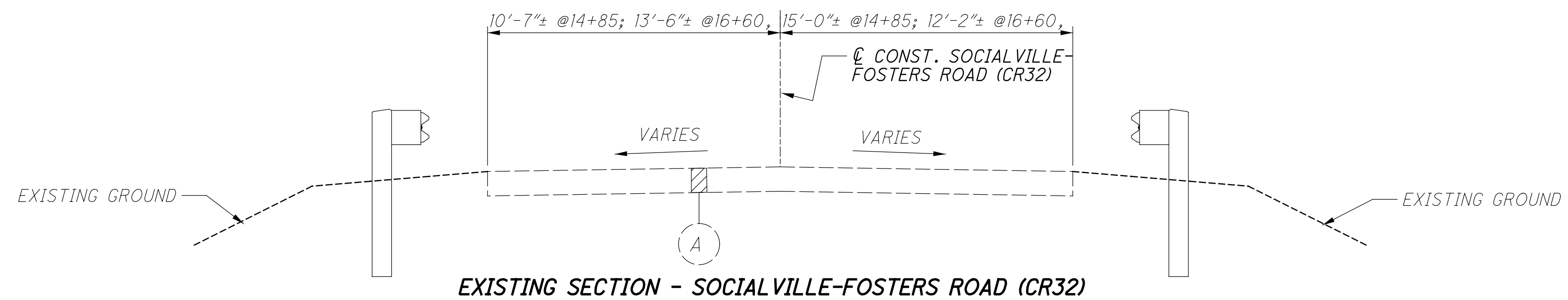
CONSTRUCTION PROJECT NO.

RAILROAD INVOLVEMENT

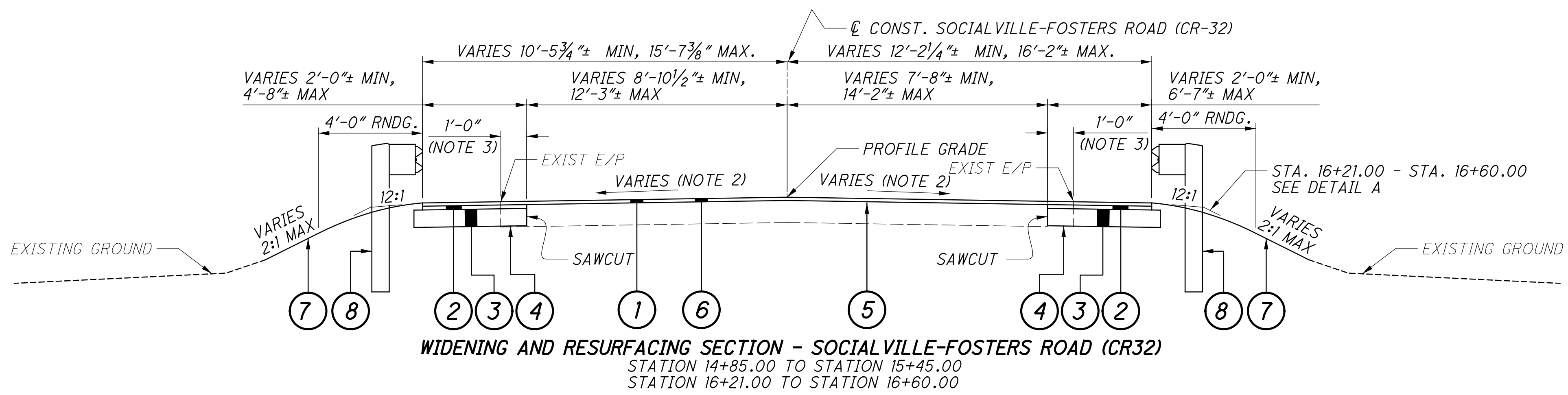
NONE

WAR-CR32-5.14

O:\0DOT\WAR\Socialville-Fosters Road Bridge_CR32_5.14\Design\Roadway_Sheets\CR32_5.14_GY001.dgn Sheet 11/16/2018 2:27:02 PM chris-s

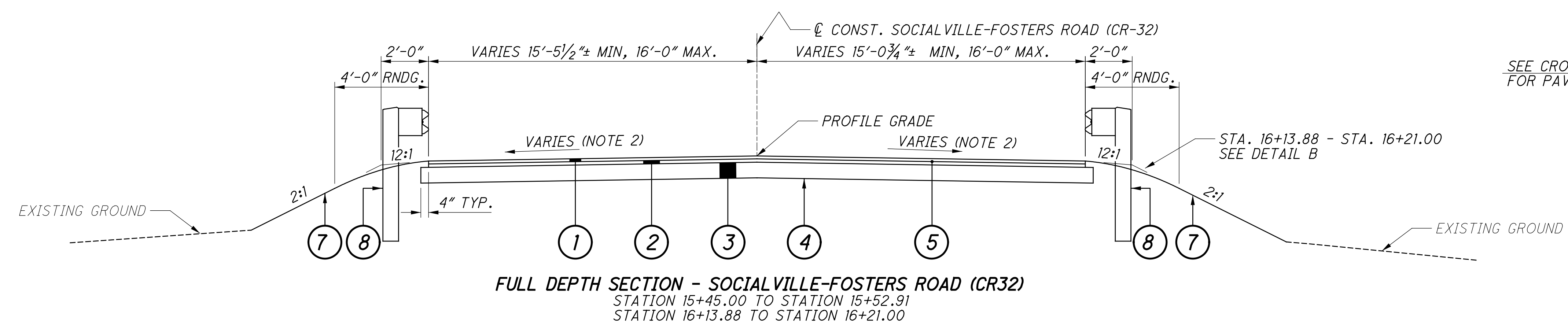


EXISTING SECTION - SOCIALVILLE-FOSTERS ROAD (CR32)



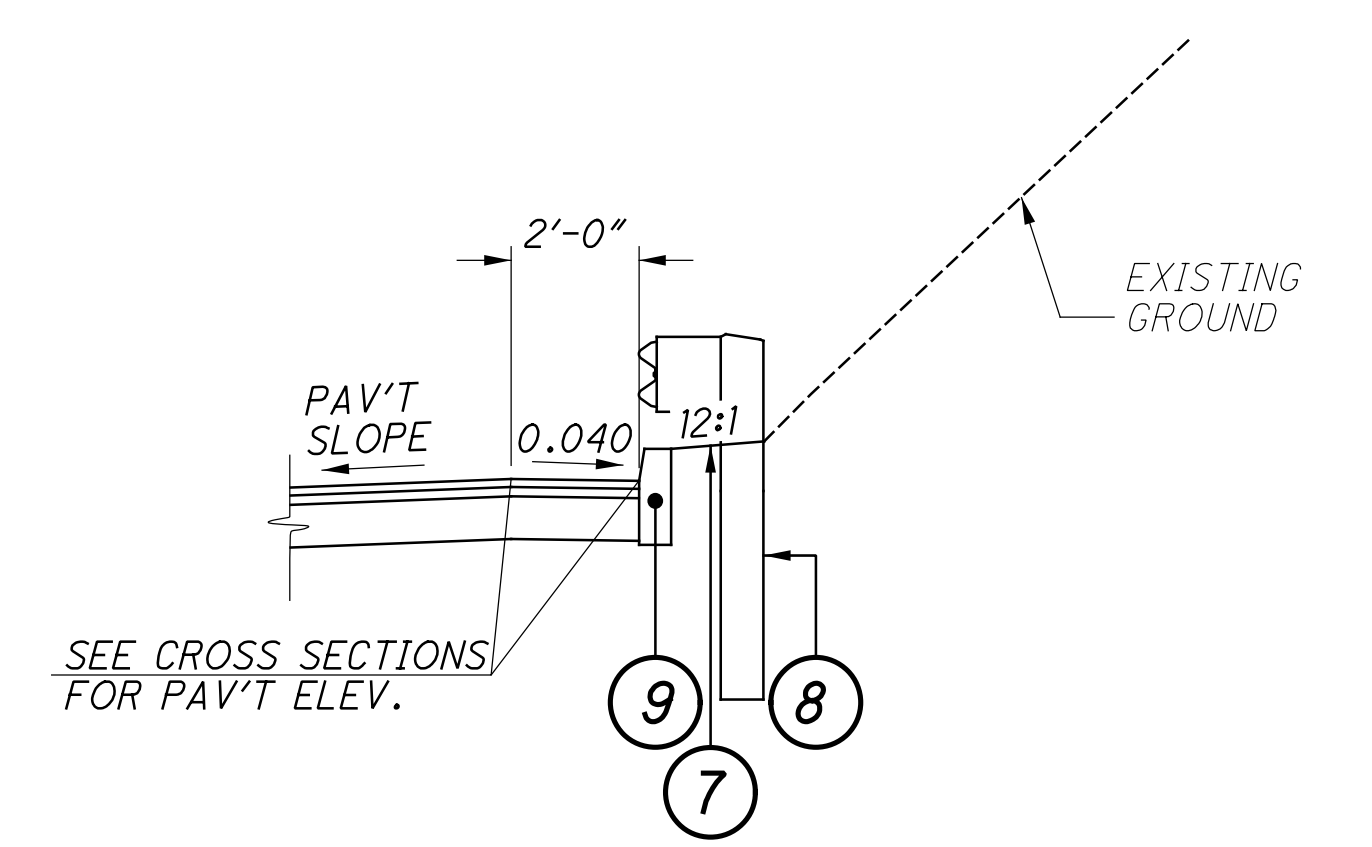
WIDENING AND RESURFACING SECTION - SOCIALVILLE-FOSTERS ROAD (CR32)

STATION 14+85.00 TO STATION 15+45.00
STATION 16+21.00 TO STATION 16+60.00

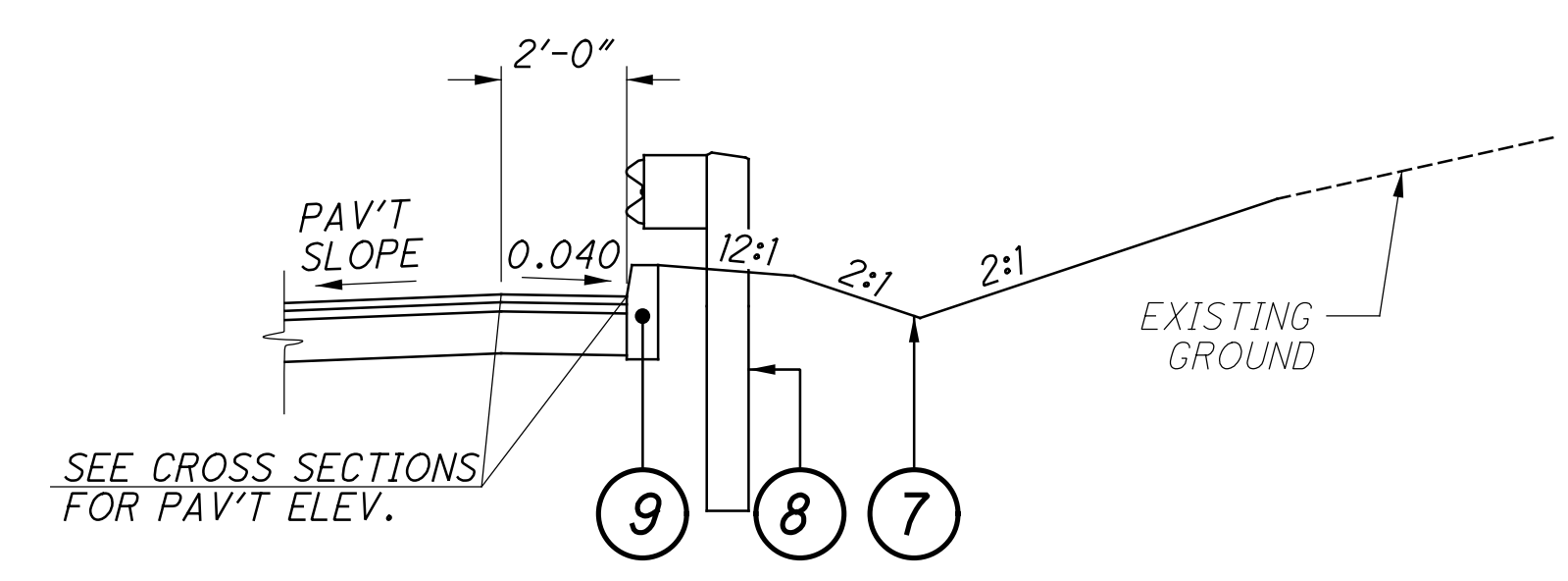


FULL DEPTH SECTION - SOCIALVILLE-FOSTERS ROAD (CR32)

STATION 15+45.00 TO STATION 15+52.91
STATION 16+13.88 TO STATION 16+21.00



DETAIL A
STATION 16+21.00 TO STATION 16+60.00 - RIGHT



DETAIL B
STATION 16+13.88 TO STATION 16+21.00 - RIGHT

NOTES
1) EDGES OF PAVEMENT NOT PARALLEL TO CENTERLINE, FOR DETAILS SEE SHEET 16 .
2) SLOPE VARIES TO MEET EXISTING SLOPE
3) 1'-0" MINIMUM OR UNTIL SOUND PAVEMENT IS REACHED

PROPOSED ITEM LEGEND

- | | | |
|--|--|---------------------------|
| ① ITEM 441 - 1/2" ASPHALT CONCRETE SURFACE COURSE, TYPE 1, (448), PG 64-22 | ⑤ ITEM 407 - TACK COAT | ⑨ ITEM 609 - CURB, TYPE 6 |
| ② ITEM 441 - 1/2" ASPHALT CONCRETE INTERMEDIATE COURSE, TYPE 1, (448) | ⑥ ITEM 254 - PAVEMENT PLANING, ASPHALT CONCRETE (1 1/2") | |
| ③ ITEM 301 - 9" ASPHALT CONCRETE BASE, PG 64-22 | ⑦ ITEM 659 - SEEDING AND MULCHING | |
| ④ ITEM 204 - SUBGRADE COMPACTION | ⑧ ITEM 606 - GUARDRAIL, TYPE 5, WITH 9 FOOT POSTS | |

EXISTING LEGEND

- Ⓐ ASPHALT CONCRETE, THICKNESS UNKNOWN

TYPICAL SECTIONS

WAR-CR32-5.14

ROUNDING

THE ROUNDING AT SLOPE BREAKPOINTS SHOWN ON THE TYPICAL SECTIONS APPLIES TO ALL CROSS-SECTIONS EVEN THOUGH OTHERWISE SHOWN.

UTILITIES

LISTED BELOW ARE ALL UTILITIES LOCATED WITHIN THE PROJECT CONSTRUCTION LIMITS TOGETHER WITH THEIR RESPECTIVE OWNERS:

ELECTRIC:
DUKE ENERGY
2010 DANA AVENUE, ROOM EF324
CINCINNATI, OH 45207
TROY DITTMER: 513-458-3844; 513-504-0082 (MOBILE)
Troy.Dittmer@Duke-Energy.com

TELECOMMUNICATIONS:
CINCINNATI BELL
221 E. 4th STREET, 121-900
CINCINNATI, OH 45202
MIKE WILLIAMS: 513-565-6024; 513-484-5073 (MOBILE)
Mike.Williams@cinbell.com

CABLE T.V.:
CHARTER SPECTRUM
11254 CORNELL PARK DRIVE, SUITE 430B
CINCINNATI, OH 45242
JIM O'REILLY: 513-386-5483; 513-233-5685 (MOBILE)
jim.oreilly@charter.com

THERE ARE NO KNOWN UNDERGROUND UTILITIES ON THIS PROJECT.

WORK LIMITS

THE WORK LIMITS SHOWN ON THESE PLANS ARE FOR PHYSICAL CONSTRUCTION ONLY. PROVIDE THE INSTALLATION AND OPERATION OF ALL WORK ZONE TRAFFIC CONTROL AND WORK ZONE TRAFFIC CONTROL DEVICES REQUIRED BY THESE PLANS WHETHER INSIDE OR OUTSIDE THESE WORK LIMITS.

CLEARING AND GRUBBING

REMOVE ALL TREES AND STUMPS SPECIFICALLY MARKED FOR REMOVAL WITHIN THE CONSTRUCTION LIMITS UNDER THE LUMP SUM BID FOR ITEM 201, CLEARING AND GRUBBING. THE FOLLOWING IS AN APPROXIMATE ESTIMATE OF THE NUMBER OF TREES AND STUMPS TO BE REMOVED.

SIZES	NO. TREES	NO. STUMPS	TOTAL
18"	2	0	2

SEEDING AND MULCHING

QUANTITIES ARE PROVIDED ON THE GENERAL SUMMARY TO PROMOTE GROWTH AND CARE OF PERMANENT SEEDED AREAS:

SEEDING AND MULCHING SHALL BE APPLIED TO ALL AREAS OF EXPOSED SOIL BETWEEN THE RIGHT-OF-WAY LINES, AND WITHIN THE CONSTRUCTION LIMITS FOR AREAS OUTSIDE THE RIGHT-OF-WAY LINES COVERED BY WORK AGREEMENT OR SLOPE EASEMENT. QUANTITY CALCULATIONS FOR SEEDING AND MULCHING ARE BASED ON THESE LIMITS.

SURVEYING PARAMETERS

PRIMARY PROJECT CONTROL MONUMENTS GOVERN ALL POSITIONING ON THIS PROJECT. SEE THIS SHEET FOR A TABLE CONTAINING PROJECT CONTROL INFORMATION.

USE THE FOLLOWING PROJECT CONTROL, VERTICAL POSITIONING, AND HORIZONTAL POSITIONING PARAMETERS FOR ALL SURVEYING:

PROJECT CONTROL

POSITIONING METHOD: ODOT VRS
MONUMENT TYPE: TYPE B

VERTICAL POSITIONING

ORTHOMETRIC HEIGHT DATUM: NAVD88
GEOID: GEOID12A

HORIZONTAL POSITIONING

REFERENCE FRAME: NAD83
ELLIPSOID: GRS80
MAP PROJECTION: LAMBERT CONFORMAL CONIC
COORDINATE SYSTEM: OHIO STATE PLANE SOUTH ZONE
COMBINED SCALE FACTOR: 0.99991049
ORIGIN OF COORDINATE SYSTEM: 0,0

USE THE POSITIONING METHODS AND MONUMENT TYPE USED IN THE ORIGINAL SURVEY TO RESTORE ALL MONUMENTS RELATED TO PRIMARY PROJECT CONTROL THAT ARE DAMAGED OR DESTROYED BY CONSTRUCTION ACTIVITIES. RESTORE THE DAMAGED OR DESTROYED MONUMENTS IN ACCORDANCE WITH CMS 623.

UNITS ARE IN U.S. SURVEY FEET.

CONNECTION BETWEEN EXISTING AND PROPOSED GUARDRAIL

WHEN IT IS NECESSARY TO SPLICE PROPOSED GUARDRAIL TO EXISTING GUARDRAIL, ONLY THE EXISTING GUARDRAIL SHALL BE CUT, DRILLED, OR PUNCHED. THE CONNECTION SHALL BE MADE USING A W-BEAM, BEAM SPLICE AS SHOWN IN AASHTO M 180-12, EXCEPT THE BEAM WASHERS ARE NOT TO BE USED. PAYMENT SHALL BE INCLUDED IN THE CONTRACT PRICE FOR THE RESPECTIVE GUARDRAIL ITEMS.

ITEM 606 - BRIDGE TERMINAL ASSEMBLY, TYPE 4, AS PER PLAN

THIS ITEM SHALL CONSIST OF THE CONSTRUCTION OF A CURVED BRIDGE TERMINAL ASSEMBLY, TYPE 4, AS PER THE DETAILS ON SHEET 16 AND PER PIS GR-3.4

PAYMENT FOR THE WORK SHALL BE MADE AT THE UNIT PRICE BID, PER EACH, FOR ITEM 606 - BRIDGE TERMINAL ASSEMBLY, TYPE 4, AS PER PLAN AND SHALL INCLUDE ALL MATERIALS NECESSARY TO CONSTRUCT THE ASSEMBLY.

HORIZONTAL CONTROL POINTS								
POINT NUMBER	GRID COORDINATES (U.S. SURVEY FOOT)		GROUND COORDINATES (U.S. SURVEY FOOT)		STATION	OFFSET	ELEVATION	DESCRIPTION
	NORTHING	EASTING	NORTHING	EASTING				
CP#1	487,239.108	1,470,275.942	487,282.724	1,470,407.557	N/A	N/A	717.052	TYPE B - SET IRON PIN WITH AL CAP
CP#2	487,333.265	1,470,600.137	487,376.890	1,470,731.781	10+23.080	8.12 LT	692.231	TYPE B - SET IRON PIN WITH AL CAP

O:\ODOT\WAR\Socialville-Fosters Road Bridge_CR32-5.14\Design\Roadway\Sheets\CR32-5.14_GN001.dgn Sheet 1/16/2018 2:27:03 PM chr1s-s

CALCULATED
DPF
CHECKED
BJF

GENERAL NOTES

WAR - CR32 - 5.14

O:\000T\WAR\Socialville-Fosters Road Bridge_CR32_5.14\Design\MOT\Sheets\CR32_5.14\MN001.dgn Sheet 11/16/2018 2:27:04 PM chr1s-s

ITEM 614, MAINTAINING TRAFFIC

BEFORE THE WORK BEGINS, THE CONTRACTOR SHALL SUBMIT TO THE ENGINEER THE NAMES AND TELEPHONE NUMBERS OF THE PERSON OR PERSONS WHO CAN BE CONTACTED (24) HOURS PER DAY BY THE WARREN COUNTY ENGINEER AND ALL INTERESTED POLICE AGENCIES. THIS PERSON OR PERSONS SHALL BE RESPONSIBLE FOR PLACING OR REPLACING NECESSARY TRAFFIC CONTROL DEVICES IN ACCORDANCE WITH THE OHIO MANUAL OF UNIFORM TRAFFIC CONTROL DEVICES.

THE CONTRACTOR SHALL MAINTAIN THE INGRESS AND EGRESS TO THE DRIVES WITHIN OR NEAR THE PROJECT WORK LIMITS AT ALL TIMES BY THE USE OF THE EXISTING AND PROPOSED PAVEMENT AND DRIVES.

TWO NOTICE OF CLOSURE SIGNS (W20-H14-60), SHALL BE ERECTED BY THE CONTRACTOR PRIOR TO THE SCHEDULED ROAD OR RAMP CLOSURE IN ACCORDANCE WITH THE NOTICE OF CLOSURE TIME TABLE BELOW. THESE SIGNS SHALL STATE THE FOLLOWING:

SOCIALVILLE-FOSTERS ROAD WILL BE CLOSED FOR 12 WEEKS STARTING <EXACT CLOSURE DATE>

THE SIGNS SHALL BE ERECTED ON THE RIGHT-HAND SIDE OF THE ROAD/RAMP FACING TRAFFIC. THEY SHALL BE PLACED SO AS NOT TO INTERFERE WITH THE VISIBILITY OF ANY OTHER TRAFFIC CONTROL SIGNS. ON ROADWAYS, THEY SHOULD BE ERECTED AT OR NEAR THE POINT OF CLOSURE. THE SIGNS MAY BE ERECTED ANYWHERE ON RAMP AS LONG AS THEY ARE VISIBLE TO THE MOTORISTS USING THE RAMP. ON ENTRANCE RAMP, THE SIGN SHALL BE ERECTED WELL IN ADVANCE OF THE MERGE AREA TO AVOID DISTRACTING MOTORISTS.

NOTICE OF CLOSURE SIGN TIME TABLE

ITEM	DURATION OF CLOSURE	SIGN DISPLAYED TO PUBLIC
RAMP & ROAD CLOSURE	> 2 WEEKS	14 CALENDAR DAY
	> 12 HOURS & < 2 WEEKS	7 CALENDAR DAYS
	< 12 HOURS	2 BUSINESS DAYS

THE CONTRACTOR SHALL PROVIDE, ERECT AND MAINTAIN STANDARD 48 X 30 INCH ROAD CLOSED SIGNS, SIGN SUPPORTS, BARRICADES AND LIGHTS, AS DETAILED IN SCD MT-101.60 AT THE FOLLOWING LOCATIONS DURING PERIODS IN WHICH THE AFFECTED ROADS ARE CLOSED TO TRAFFIC.

SEE SHEET 5 FOR LOCATIONS

ALL WORK AND TRAFFIC CONTROL DEVICES SHALL BE IN ACCORDANCE WITH C&MS 614 AND OTHER APPLICABLE PORTIONS OF THE SPECIFICATIONS, AS WELL AS THE OHIO MANUAL OF UNIFORM TRAFFIC CONTROL DEVICES. PAYMENT FOR ALL LABOR, EQUIPMENT AND MATERIALS SHALL BE INCLUDED IN THE LUMP SUM CONTRACT PRICE FOR ITEM 614, MAINTAINING TRAFFIC, UNLESS SEPARATELY ITEMIZED IN THE PLAN.

DETOUR SIGNING

THE CONTRACTOR SHALL ERECT, MAINTAIN AND REMOVE THE DETOUR SIGNING AS SHOWN ON SHEET 5. THE PAYMENT FOR ALL THE MATERIAL, LABOR AND EQUIPMENT TO PERFORM THIS WORK SHALL BE INCLUDED IN THE LUMP SUM BID FOR ITEM 614 - MAINTAINING TRAFFIC

NOTIFICATION

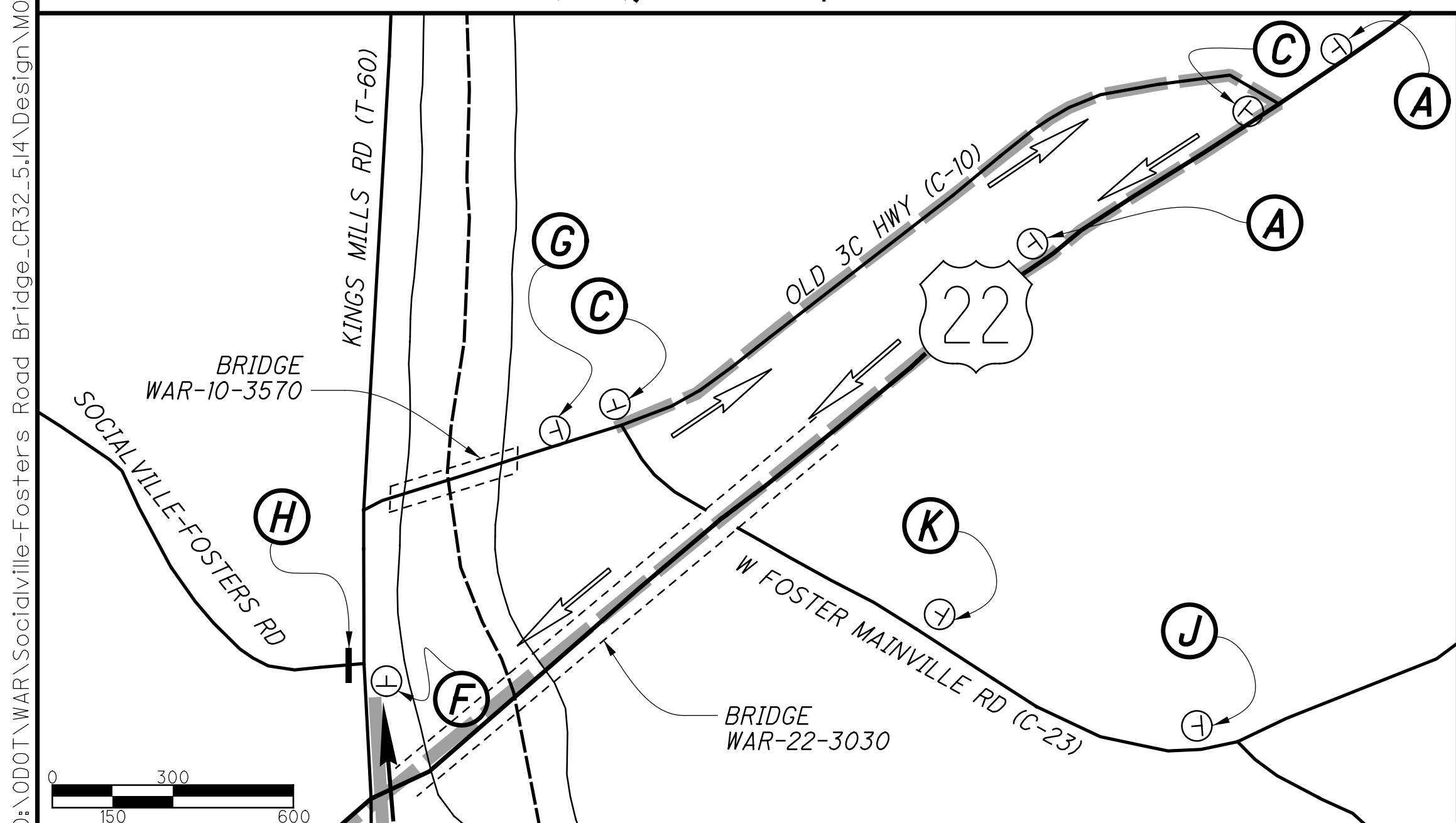
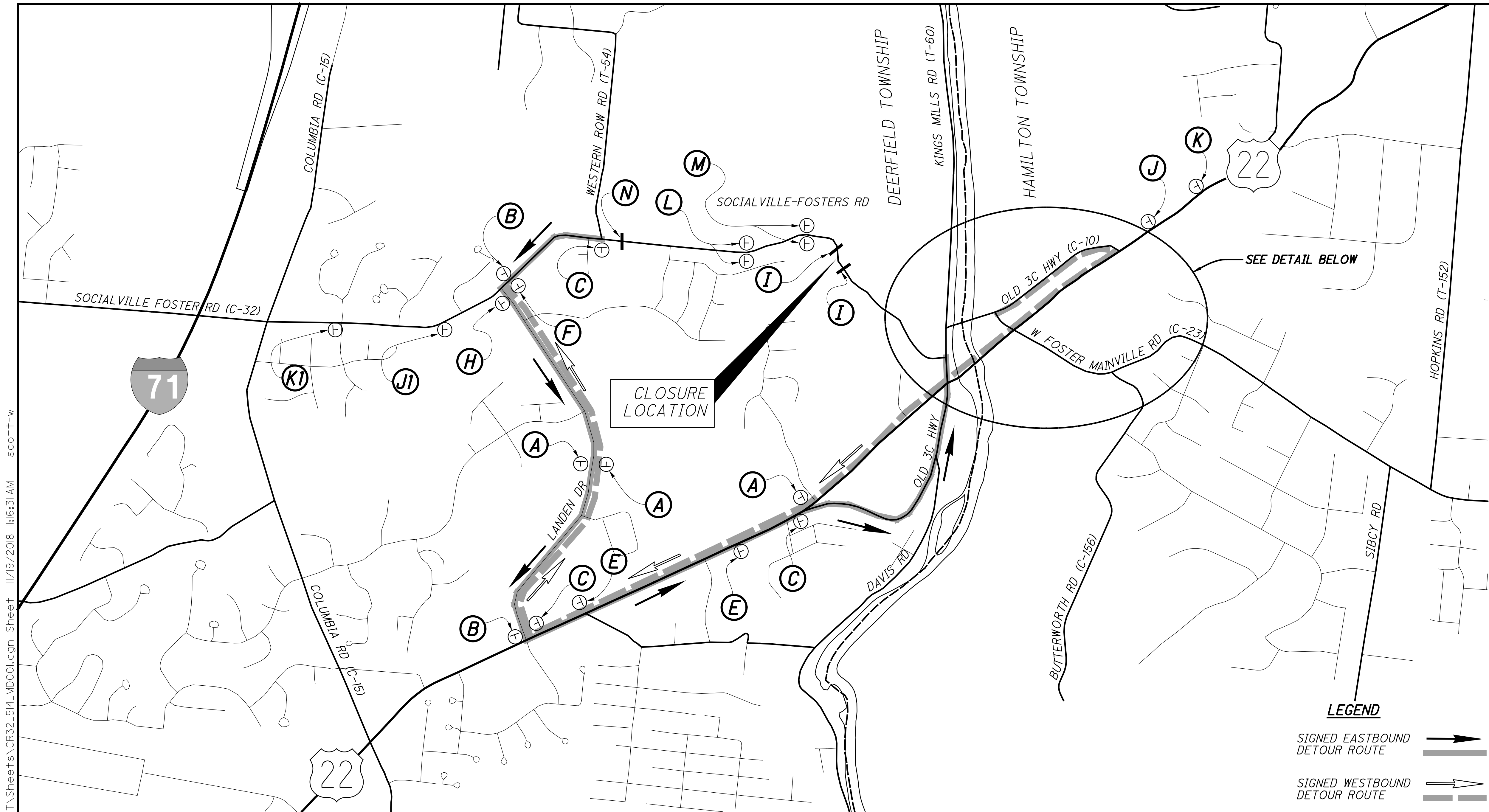
THE CONTRACTOR SHALL NOTIFY THE WARREN COUNTY ENGINEER TWO (2) WEEKS PRIOR TO BEGINNING WORK.

ALL LOCAL SCHOOLS AND EMERGENCY SERVICES WHICH ARE LIKELY TO UTILIZE THIS SEGMENT OF CR 32 (SOCIALVILLE-FOSTERS ROAD) ARE TO BE NOTIFIED OF THE DETOUR NOT LESS THAN TWO (2) WEEKS PRIOR TO THE ROAD CLOSURE.

CALCULATED
DPF
CHECKED
BJF

MAINTENANCE OF TRAFFIC GENERAL NOTES

WAR-CR32-5.14



<p>A</p> <p>DETOUR SOCIALVILLE-FOSTERS RD</p> <p>↑</p> <p>M4-8-24 D3-2 M6-3-21</p>	<p>B</p> <p>DETOUR SOCIALVILLE-FOSTERS RD</p> <p>←</p> <p>M4-8-24 D3-2 M6-1-L-21</p>	<p>C</p> <p>DETOUR SOCIALVILLE-FOSTERS RD</p> <p>→</p> <p>M4-8-24 D3-2 M6-1-R-21</p>	<p>D</p> <p>DETOUR SOCIALVILLE-FOSTERS RD</p> <p>↙</p> <p>M4-8-24 D3-2 M5-1-L-21</p>
<p>E</p> <p>DETOUR SOCIALVILLE-FOSTERS RD</p> <p>↘</p> <p>M4-8-24 D3-2 M5-1-R-21</p>	<p>F</p> <p>END DETOUR SOCIALVILLE-FOSTERS RD</p> <p>M4-8A-24 D3-2</p>	<p>G</p> <p>SOCIALVILLE-FOSTERS RD CLOSED AHEAD</p> <p>TYPE 3 BARRICADE W/LIGHTS</p>	<p>H</p> <p>DETOUR ROAD CLOSED TO THRU TRAFFIC OPEN TO ADDRESS</p> <p>TYPE 3 BARRICADE W/LIGHTS</p> <p>M4-10R-48 R11-4-48 TYPE 3 BARRICADE W/LIGHTS</p>

LEGEND

SIGNED EASTBOUND
DETOUR ROUTE →

SIGNED WESTBOUND
DETOUR ROUTE ←

<p>I</p> <p>R11-2-48 TYPE 3 BARRICADE PER MT 101.60</p>
<p>J</p> <p>DETOUR AHEAD</p> <p>SOCIALVILLE-FOSTERS RD</p> <p>W20-2-36 D3-2</p>
<p>J1 - NO D3-2 SIGN</p> <p>K</p> <p>ROAD CLOSED AHEAD</p> <p>SOCIALVILLE-FOSTERS RD</p> <p>W20-3-36 D3-2</p>
<p>K1 - NO D3-2 SIGN</p> <p>L</p> <p>ROAD CLOSED AHEAD</p> <p>1000 FT</p> <p>W20-3-36 D3-2</p>
<p>M</p> <p>ROAD CLOSED AHEAD</p> <p>500 FT</p> <p>W20-3-36 D3-2</p>
<p>N</p> <p>OPEN TO ADDRESS</p> <p>ROAD CLOSED MILES AHEAD LOCAL TRAFFIC ONLY</p> <p>TYPE 3 BARRICADE W/LIGHTS</p>

ROADWAY SUBSUMMARY

REF. NO.	SHEET NO.	STATION		SIDE	LENGTH	202	601	606		609	
		FROM	TO			GUARDRAIL REMOVED	ROCK CHANNEL PROTECTION, TYPE D WITH FILTER	GUARDRAIL, TYPE 5, USING 9 FOOT POSTS	BTA, TYPE 4, AS PER PLAN	ANCHOR ASSEMBLY, TYPE T	CURB, TYPE 6
						FT	CY	FT	EACH	EACH	FT
R1	8	14+56.63	16+63.05	LT	206.4	206					
R2	8	14+88.24	16+27.20	RT	139.0	139					
EC1	8	16+60.45	16+66.45	RT	6.0		1				
GR1	8	14+58.05	15+54.30	LT	112.5			100.0	1	1	
GR2	8	14+88.24	15+46.99	RT	50.0			50.0	1		
GR3	8	16+12.49	16+71.24	RT	62.5			50.0	1	1	
GR4	8	16+19.80	16+63.05	LT	50.0			50.0	1		
C1	8	16+12.04	16+60.46	RT	48.4					49	
TOTALS CARRIED TO GENERAL SUMMARY						345	1	250.0	4	2	49

CROSS SECTION SUBSUMMARY

SHEET NO.	STATION		203		659
			EXCAVATION	EMBANKMENT	SEEDING AND MULCHING
	FROM	TO	CY	CY	SY
11	14+75.00	15+00.00	3	0	21
12	15+25.00	15+52.91	25	17	92
13	16+13.88	16+25.00	13	2	18
14	16+50.00	16+60.00	10	2	31
15	16+75.00	17+00.00	1	0	3
COLUMN TOTALS			52	21	165
TOTALS CARRIED TO GENERAL SUMMARY					
203 - EXCAVATION			52		CY
203 - EMBANKMENT			21		CY
659 - SEEDING AND MULCHING			165		SY
659 - REPAIR SEEDING AND MULCHING			8		SY
659 - TOPSOIL			18		CY
659 - COMMERCIAL FERTILIZER			0.02		TON
659 - WATER			1		MGAL

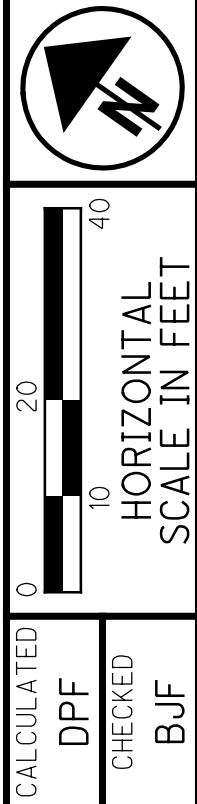
O:\000T\WAR\Socialville-Fosters Road_Bridge_CR32-5.14\Design_Roadway_Sheets\CR32-5.14_GPO01.dgn Sheet 1/16/2018 2:27:08 PM chris-s

APN# 16-16-400-003
 WM. L. & AUDREY B. BAILEY
 2204 SOCIALVILLE-FOSTERS RD.

APN# 16-16-164-011
 COUNTRYWOOD

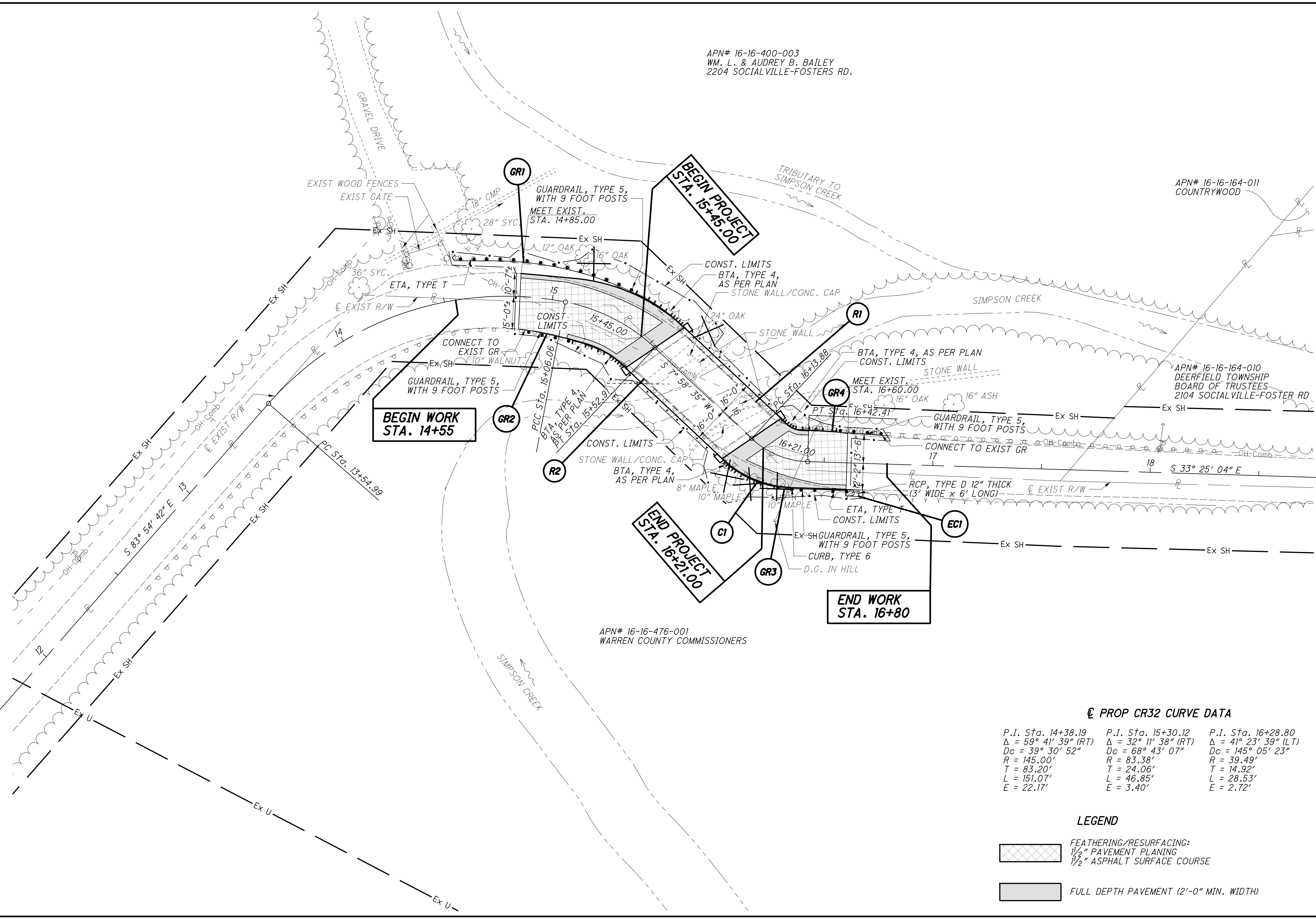
APN# 16-16-164-010
 DEERFIELD TOWNSHIP
 BOARD OF TRUSTEES
 2104 SOCIALVILLE-FOSTER RD.

APN# 16-16-476-001
 WARREN COUNTY COMMISSIONERS



PLAN - SOCIALVILLE FOSTERS ROAD
 STA 12+00 TO STA 18+50

WAR-CR32-5.14



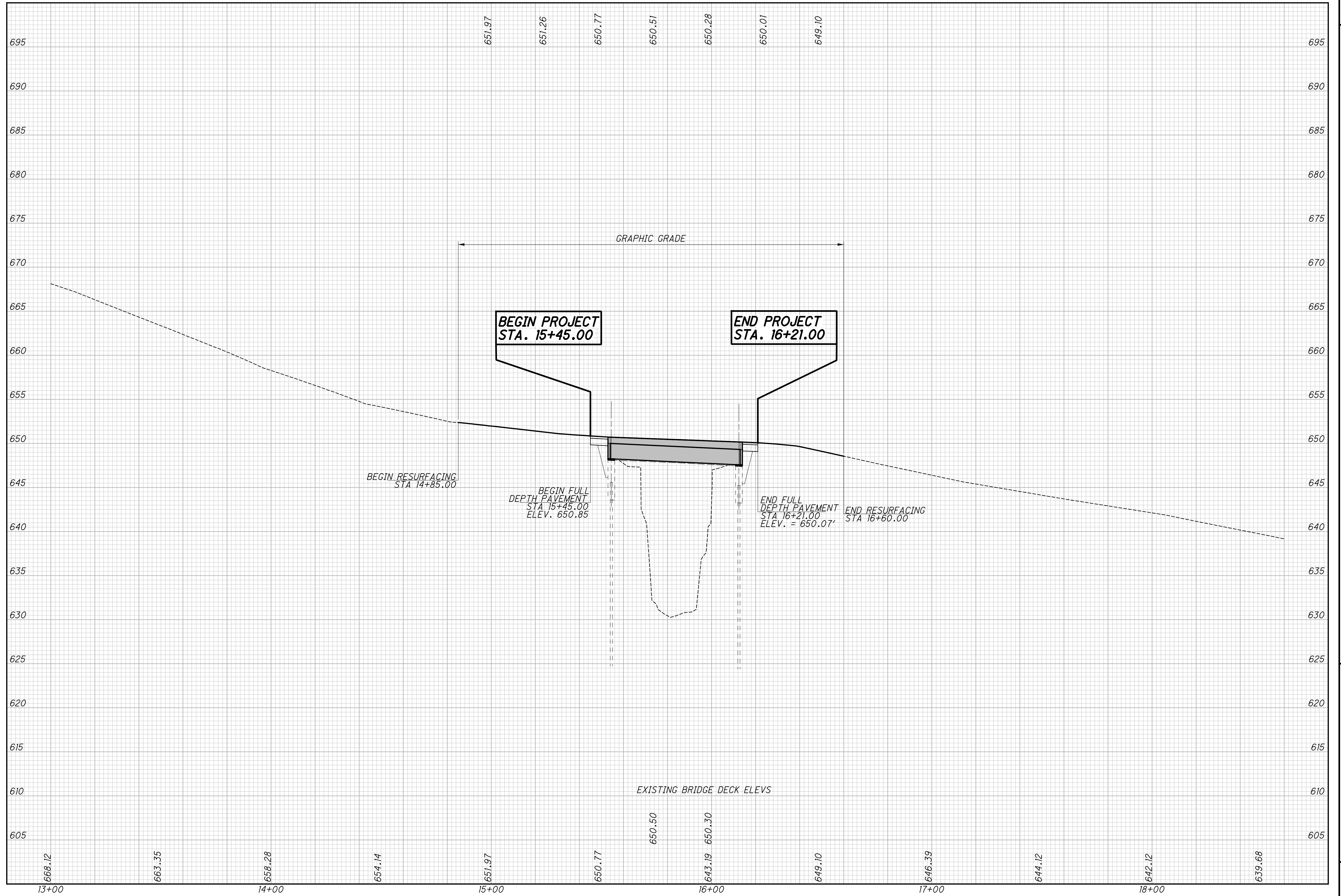
CR32 CURVE DATA

P.I. Sta.	Δ	Dc	R	T	L	E
14+38.19	59° 41' 39" (RT)	39' 30" 52"	145.00'	83.20'	151.07'	22.17'
15+30.12	32° 11' 38" (RT)	68° 43' 07"	83.38'	24.06'	46.85'	3.40'
16+28.80	41° 23' 39" (LT)	145° 05' 23"	39.49'	14.92'	28.53'	2.72'

LEGEND

- FEATHERING/RESURFACING:
 1 1/2" PAVEMENT PLANING
 1 1/2" ASPHALT SURFACE COURSE
- FULL DEPTH PAVEMENT (2'-0" MIN. WIDTH)

O:\0001\WAR\Socialville-Fosters Road Bridge_CR32_5.14\Design\Roadway\Sheets\CR32_5.14_6F001.dgn Sheet 11/16/2018 2:27:09 PM chris-s



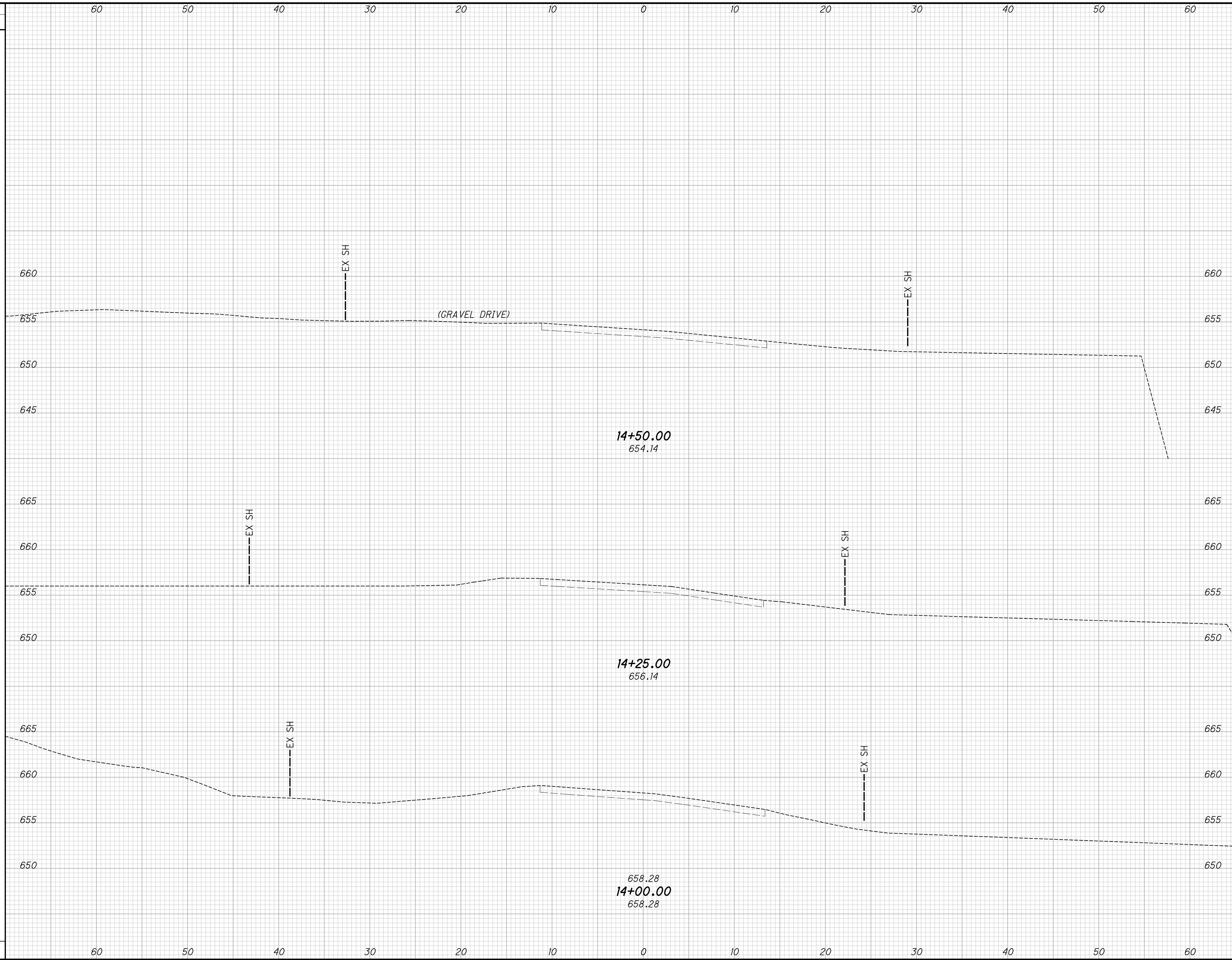
CALCULATED
DPF
CHECKED
BJF

PROFILE

WAR - CR32 - 5.14

0:\000T\WAR\Socialville-Fosters.Road.Bridge_CR32_5.14\Design\Roadway\Sheets\CR32_5.14_X500.dgn Sheet 11/16/2018 2:27:10 PM chr1s-s

SEEDING	
END WIDTH	SO. YDS.
0	



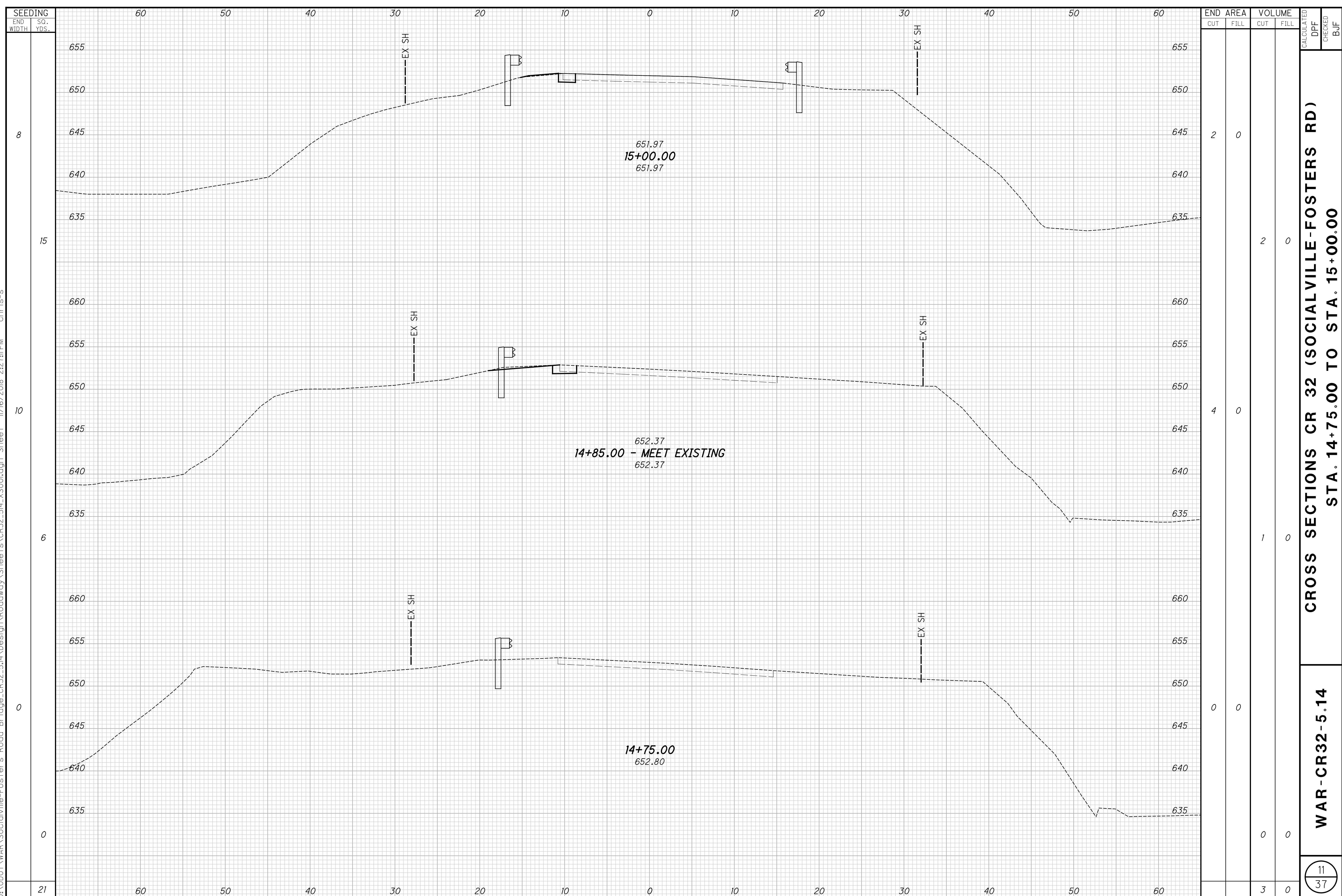
END AREA		VOLUME		CALCULATED	
CUT	FILL	CUT	FILL	DPF	CHECKED
		0	0		BJF

CROSS SECTIONS CR 32 (SOCIALVILLE-FOSTERS RD)
STA. 14+00.00 TO STA. 14+50.00

WAR-CR32-5.14

10/37

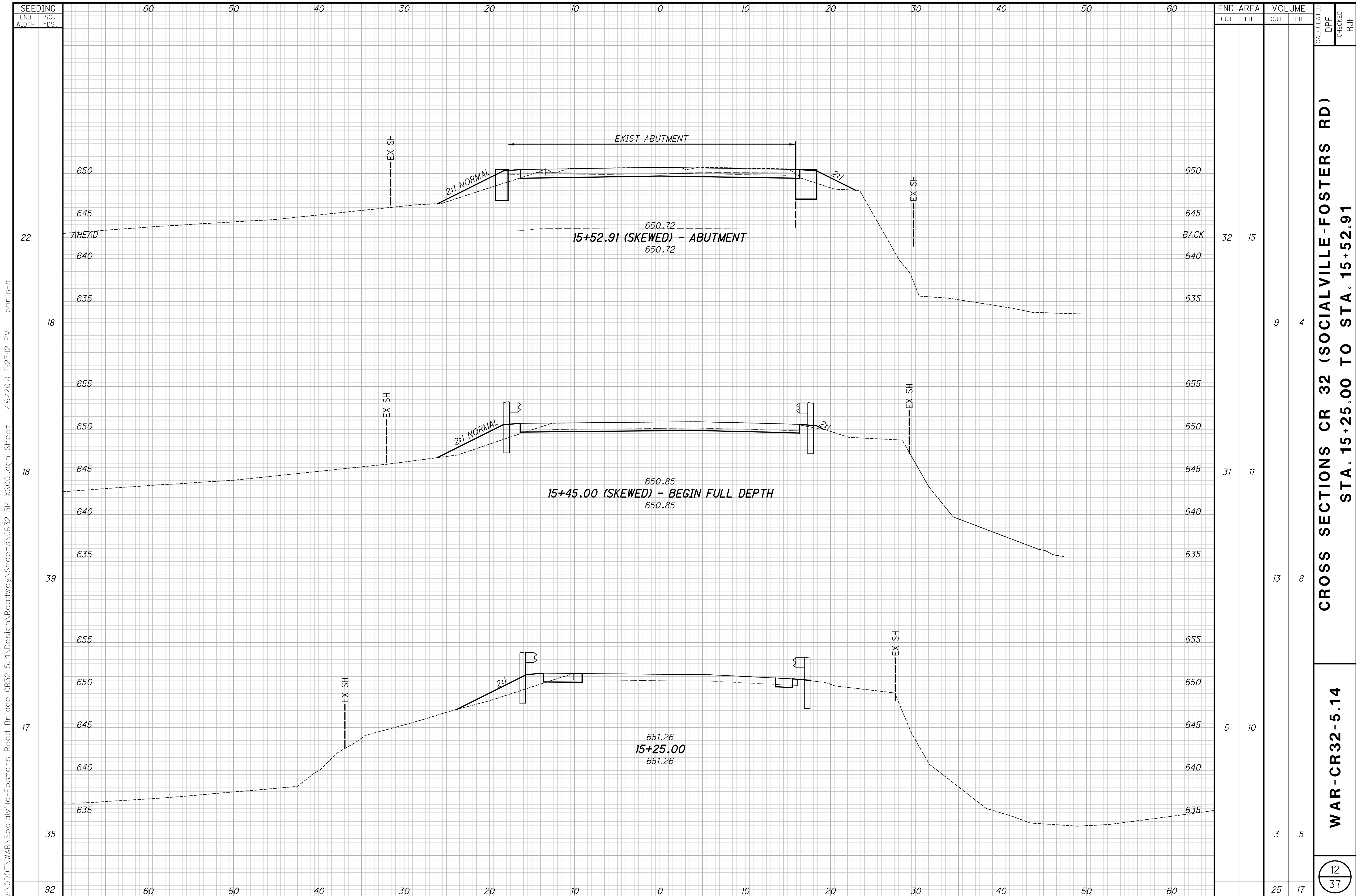
O:\000T\WAR\Socialville-Fosters.Road.Bridge_CR32-5.14\Design\Roadway\Sheets\CR32-5.14_X500.dgn Sheet 11/16/2018 2:27:11PM chrts-s



**CROSS SECTIONS CR 32 (SOCIALVILLE-FOSTERS RD)
STA. 14+75.00 TO STA. 15+00.00**

WAR-CR32-5.14

11
37



SEEDING
END WIDTH SO. YDS.

22
18
18
39
17
35

60 50 40 30 20 10 0 10 20 30 40 50 60

60 50 40 30 20 10 0 10 20 30 40 50 60

60 50 40 30 20 10 0 10 20 30 40 50 60

60 50 40 30 20 10 0 10 20 30 40 50 60

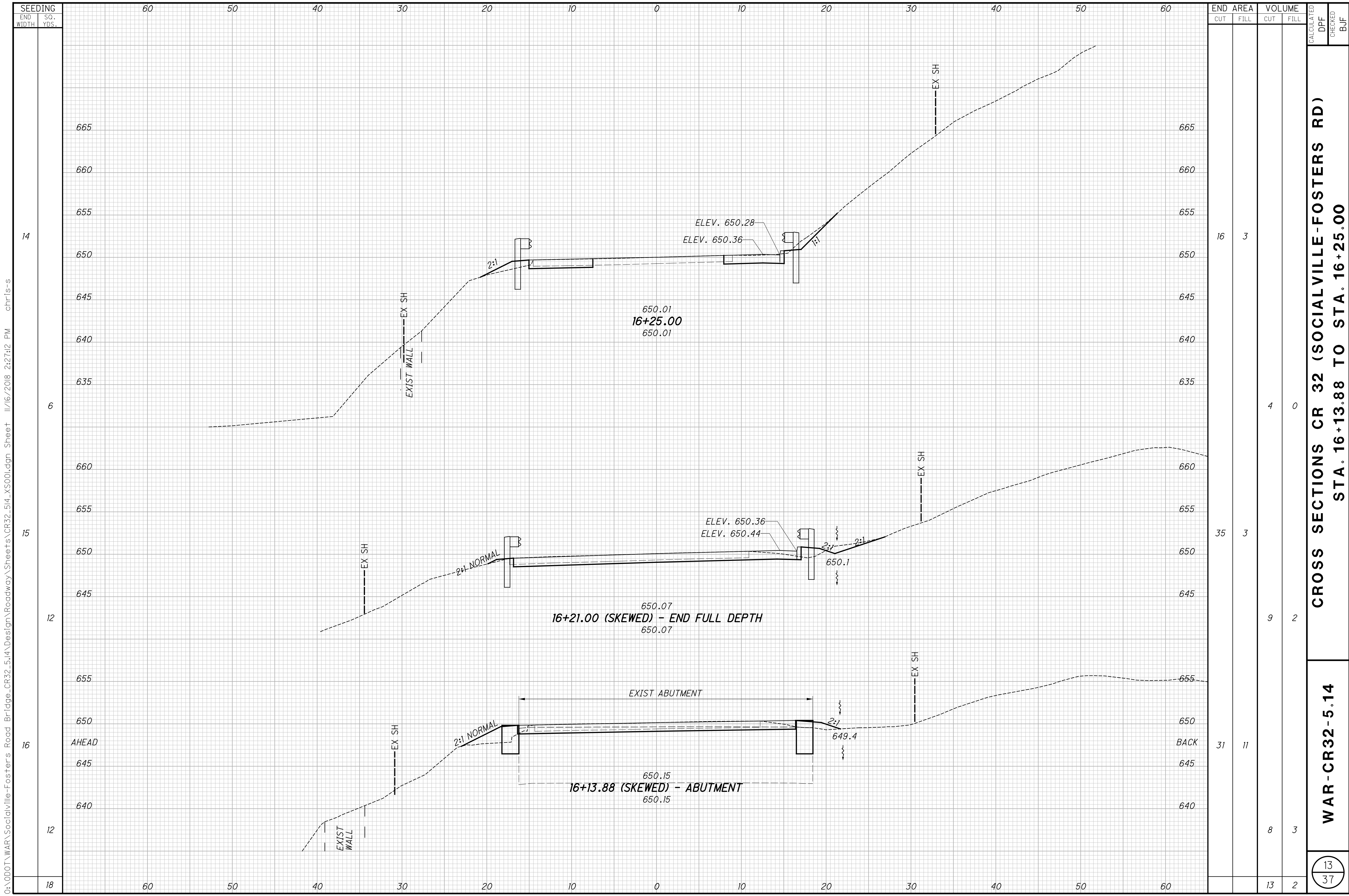
END AREA	VOLUME	CALCULATED	CHECKED	DPF	BJF
32	15				
31	11				
5	10				
		3	5		
		25	17		

CROSS SECTIONS CR 32 (SOCIALVILLE-FOSTERS RD)
STA. 15+25.00 TO STA. 15+52.91

WAR-CR32-5.14

12
37

O:\000T\WAR\Socialville-Fosters Road Bridge_CR32_5.14\Design\Roadway\Sheets\CR32_5.14_X500.dgn Sheet 11/16/2018 2:27:42 PM chr1s-s



SEEDING
END WIDTH SO. YDS.

14
6
15
12
16
12
18

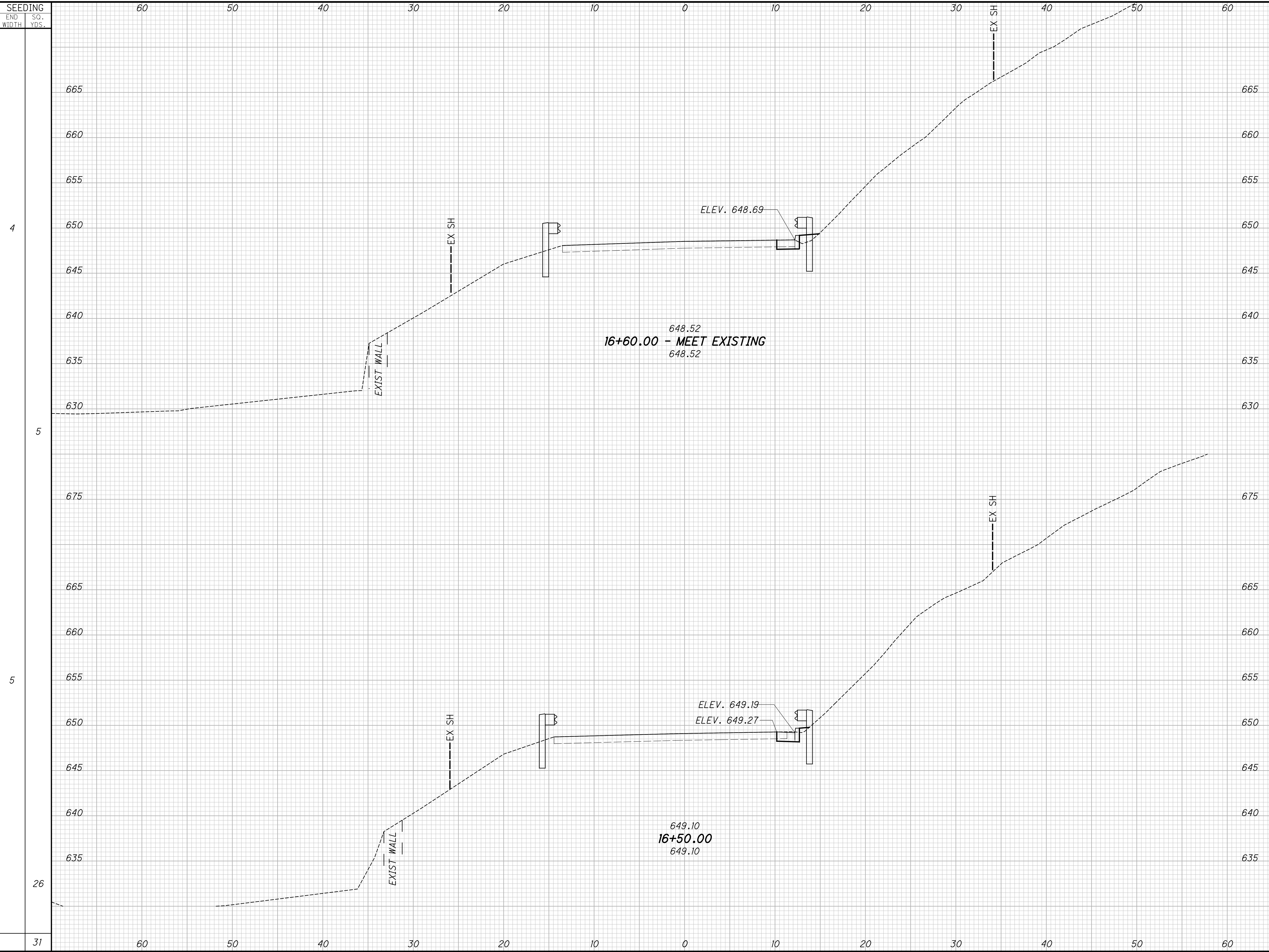
SEEDING		END AREA		VOLUME		CALCULATED	
END WIDTH	SO. YDS.	CUT	FILL	CUT	FILL	DPF	CHECKED
14	6	16	3	4	0		
15	12	35	3	9	2		
16	12	31	11	8	3		
18				13	2		

CROSS SECTIONS CR 32 (SOCIALVILLE-FOSTERS RD)
STA. 16+13.88 TO STA. 16+25.00

WAR-CR32-5.14

O:\ODOT\WAR\Socialville-Fosters Road Bridge_CR32_5.14\Design\Roadway\Sheets\CR32_5.14_XS001.dgn Sheet 11/16/2018 2:27:12 PM chr1s-s

O:\000T\WAR\Socialville-Fosters Road_Bridge_CR32-5.14\Design\Roadway\Sheets\CR32-5.14_X500.dgn Sheet 11/16/2018 2:27:13 PM chr1s-s



SEEDING	END AREA		VOLUME		CALCULATED	CHECKED
	CUT	FILL	CUT	FILL		
4	2	1				
5			1	0		
5	3	1				
26			9	2		
31			10	2		

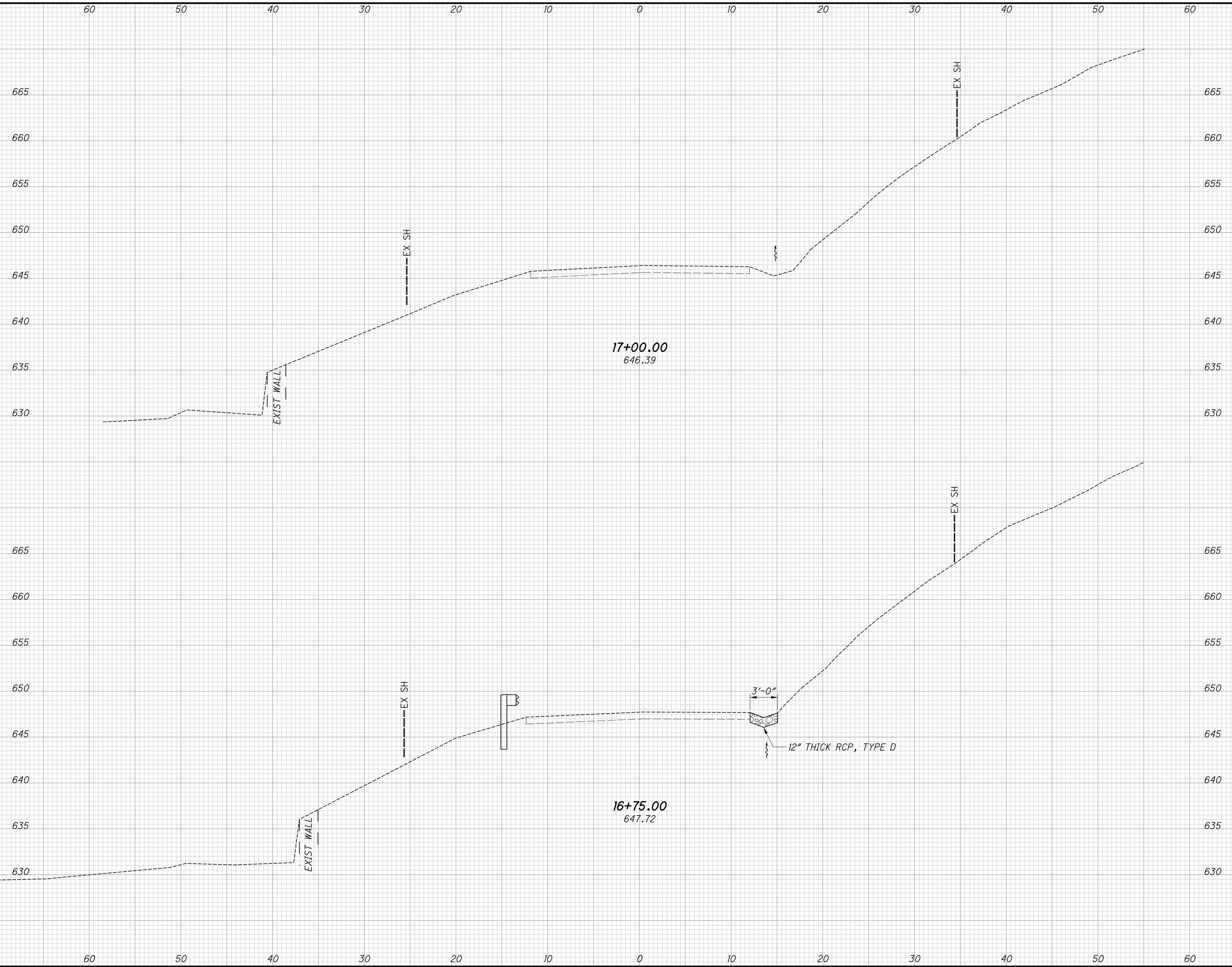
CROSS SECTIONS CR 32 (SOCIALVILLE-FOSTERS RD)
STA. 16+50.00 TO STA. 16+60.46

WAR-CR32-5.14

14
37

0:\0D0T\WAR\Socialville-Fosters Road_Bridge_CR32-5.14\Design\Roadway\Sheets\CR32-5.14_X500.dgn Sheet 11/16/2018 2:27:13 PM chr1s-s

SEEDING	END AREA		VOLUME		CALCULATED	CHECKED
	CUT	FILL	CUT	FILL		
3						
3			1	0		



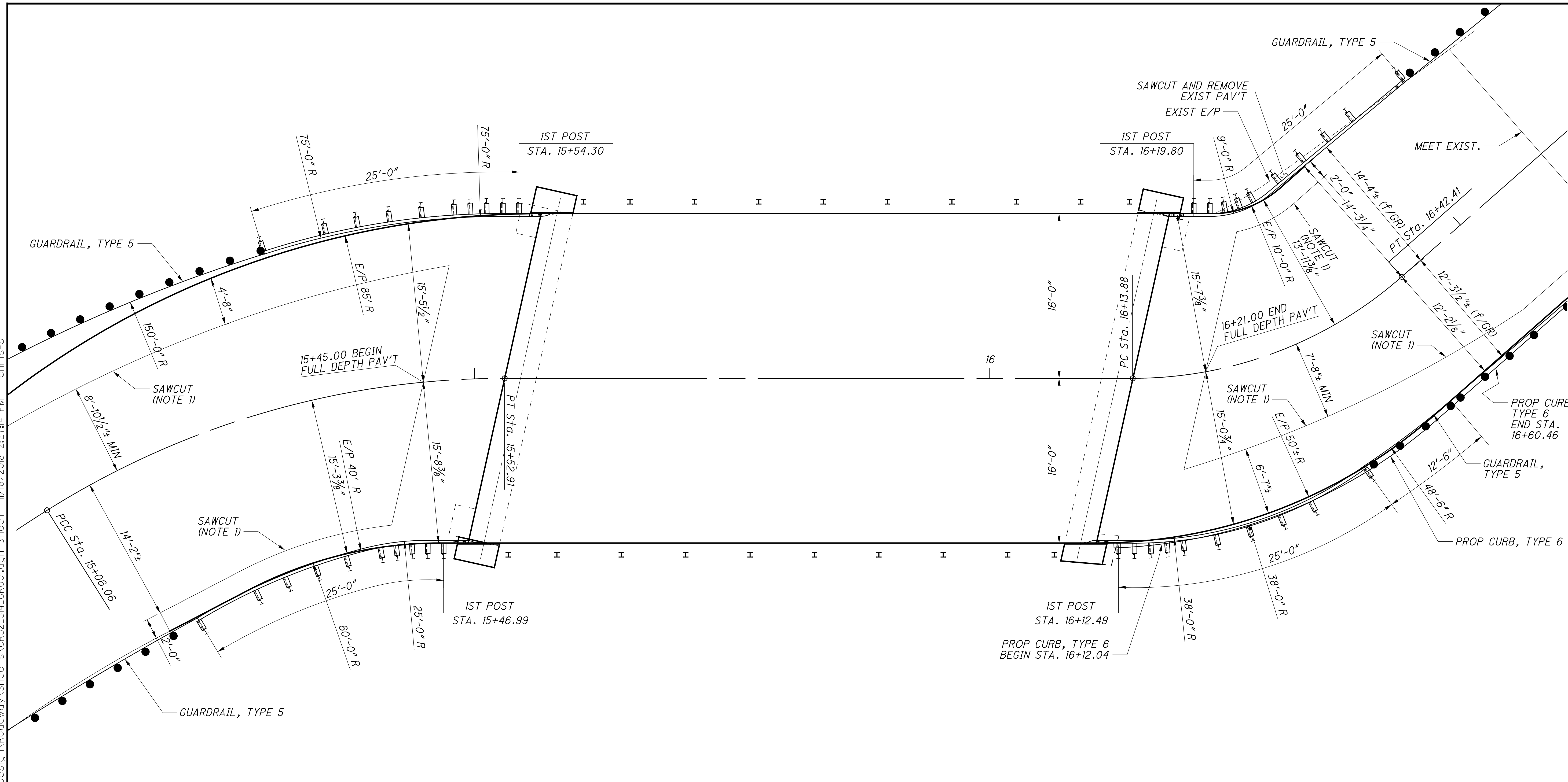
CROSS SECTIONS CR 32 (SOCIALVILLE-FOSTERS RD)
STA. 16+75.00 TO STA. 17+00.00

WAR-CR32-5.14

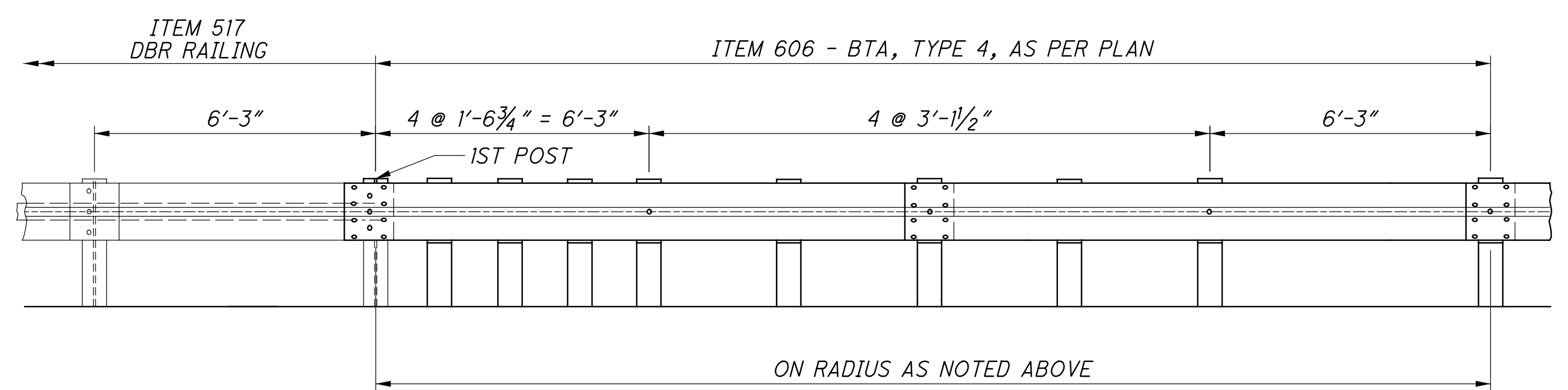
15
37

O:\000T\WAR\Socialville-Fosters Road_Bridge_CR32-5.14\Design\Roadway_Sheets\CR32-5.14_GRO01.dgn Sheet 11/16/2018 2:27:14 PM chriss-s

CALCULATED
DPF
CHECKED
BJF



GUARDRAIL DETAILS



ITEM 606 - BRIDGE TERMINAL ASSEMBLY, TYPE 4, AS PER PLAN (CURVED)

NOTES
1) 1'-0" MINIMUM OR UNTIL SOUND PAVEMENT IS REACHED

WAR-CR32-5.14

NOTES

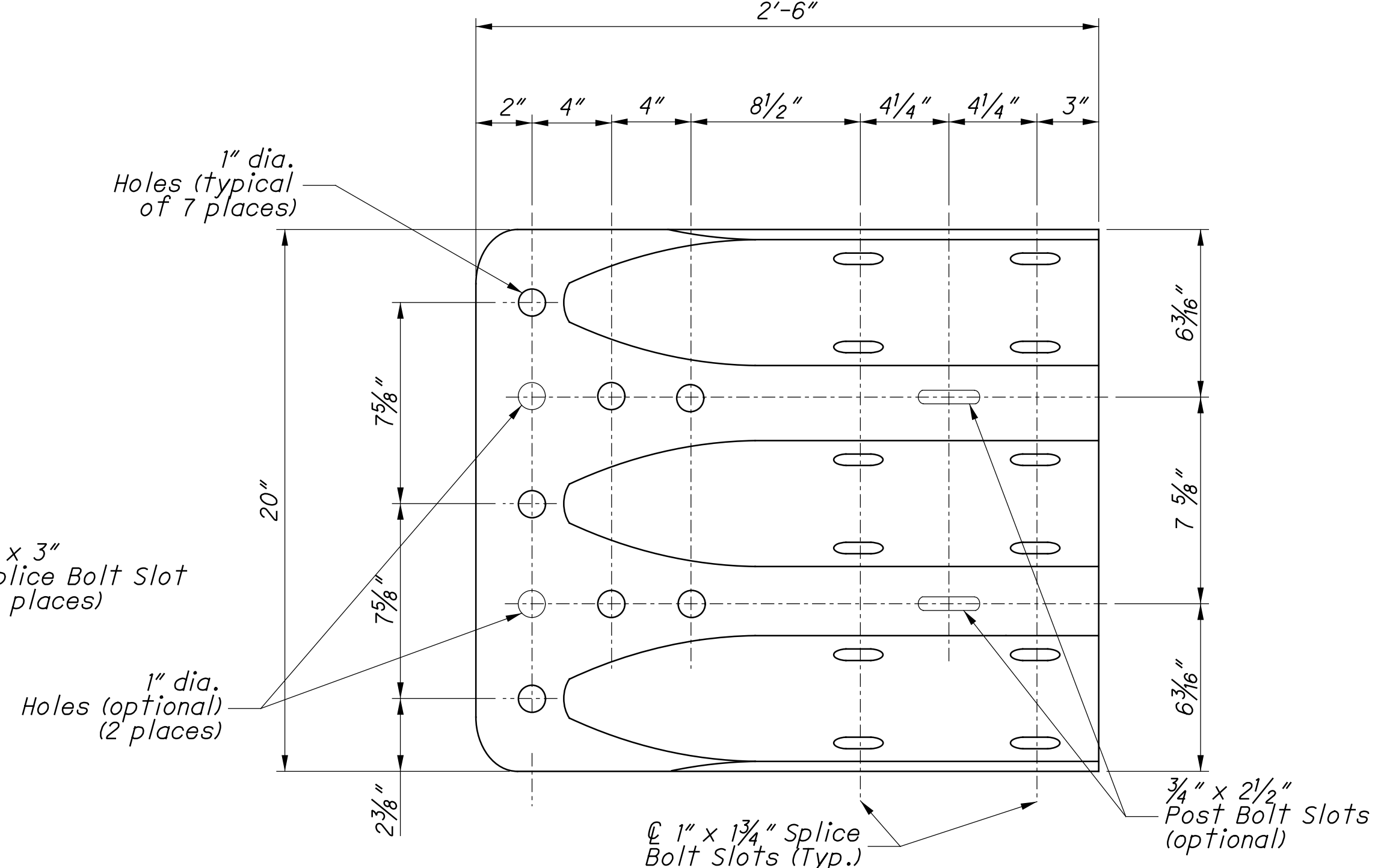
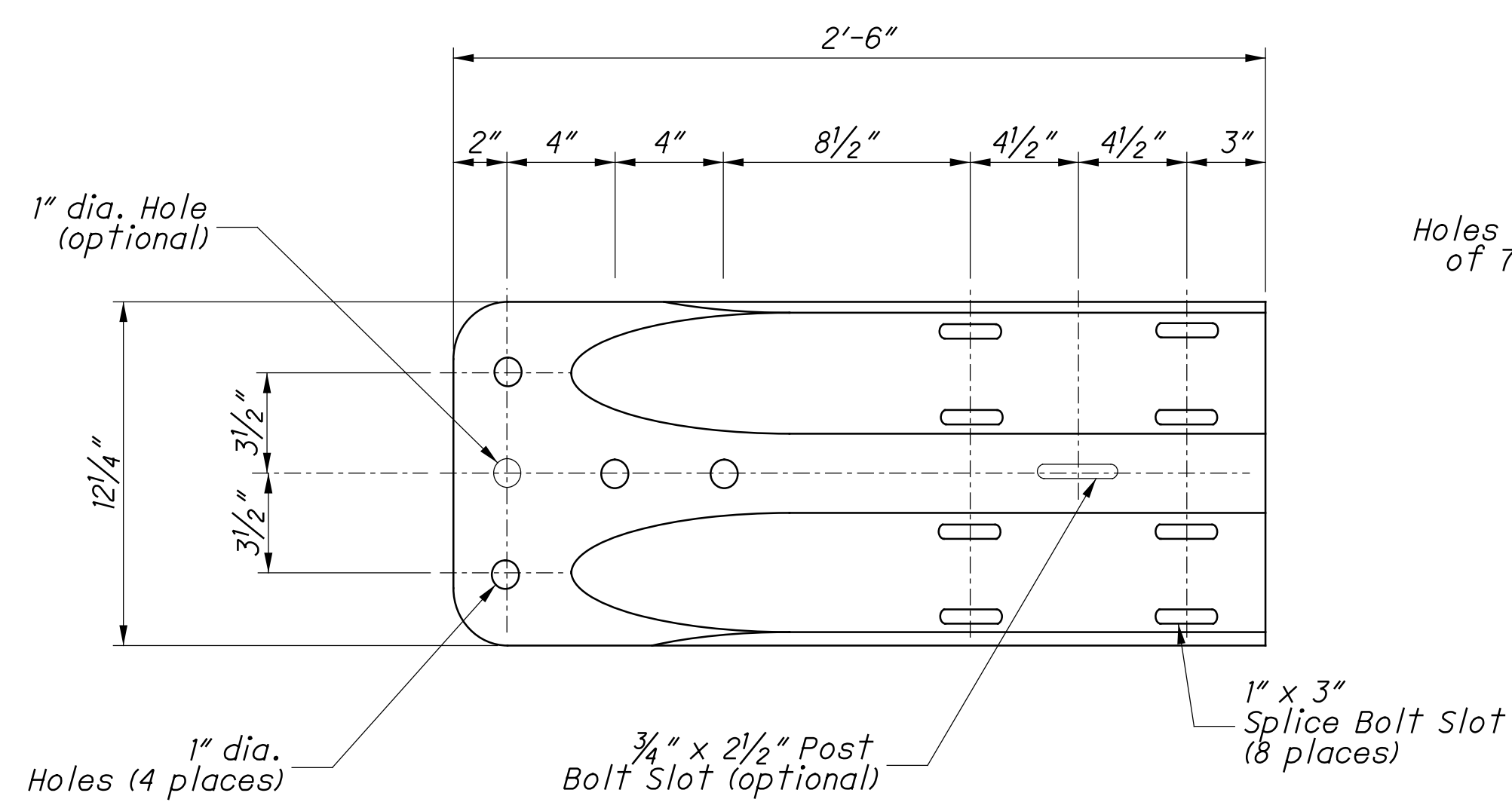
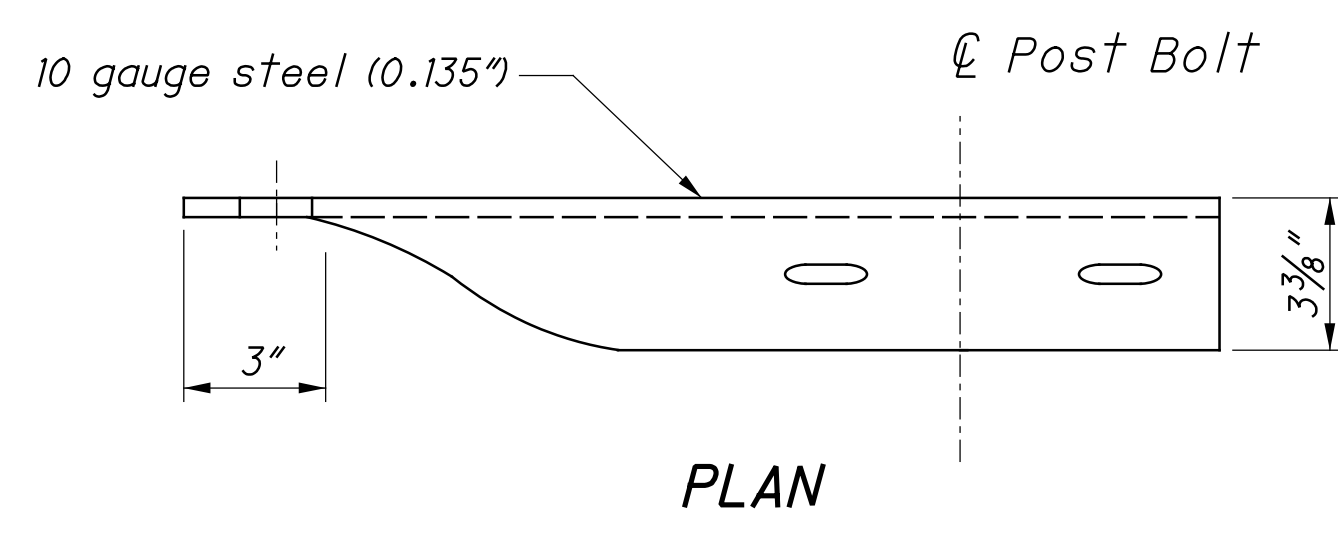
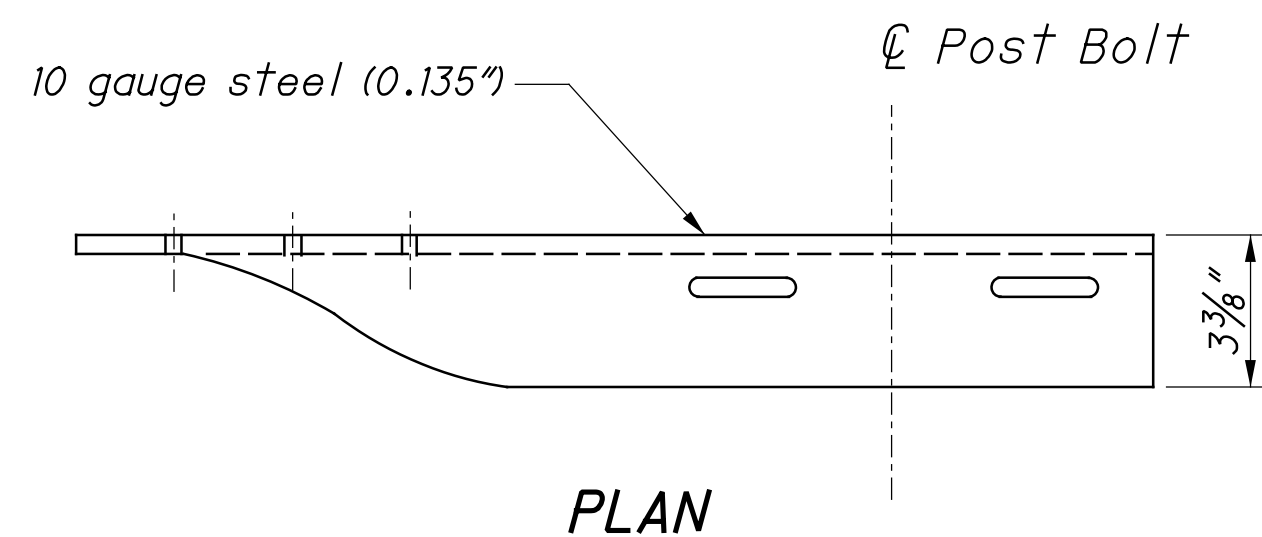
GENERAL: Components shown on this drawing are used in a variety of guardrail systems. See individual guardrail drawing for specific applications.

See CMS 606 for guardrail specifications not covered on these drawings.

Refer to AASHTO M 180 for dimensional details of W-Beam and Thrie-Beam rail elements, related buffer and end sections, beam splices, post and splice bolts, nuts, and Type 1 W-Beam to Thrie-Beam Transition sections.

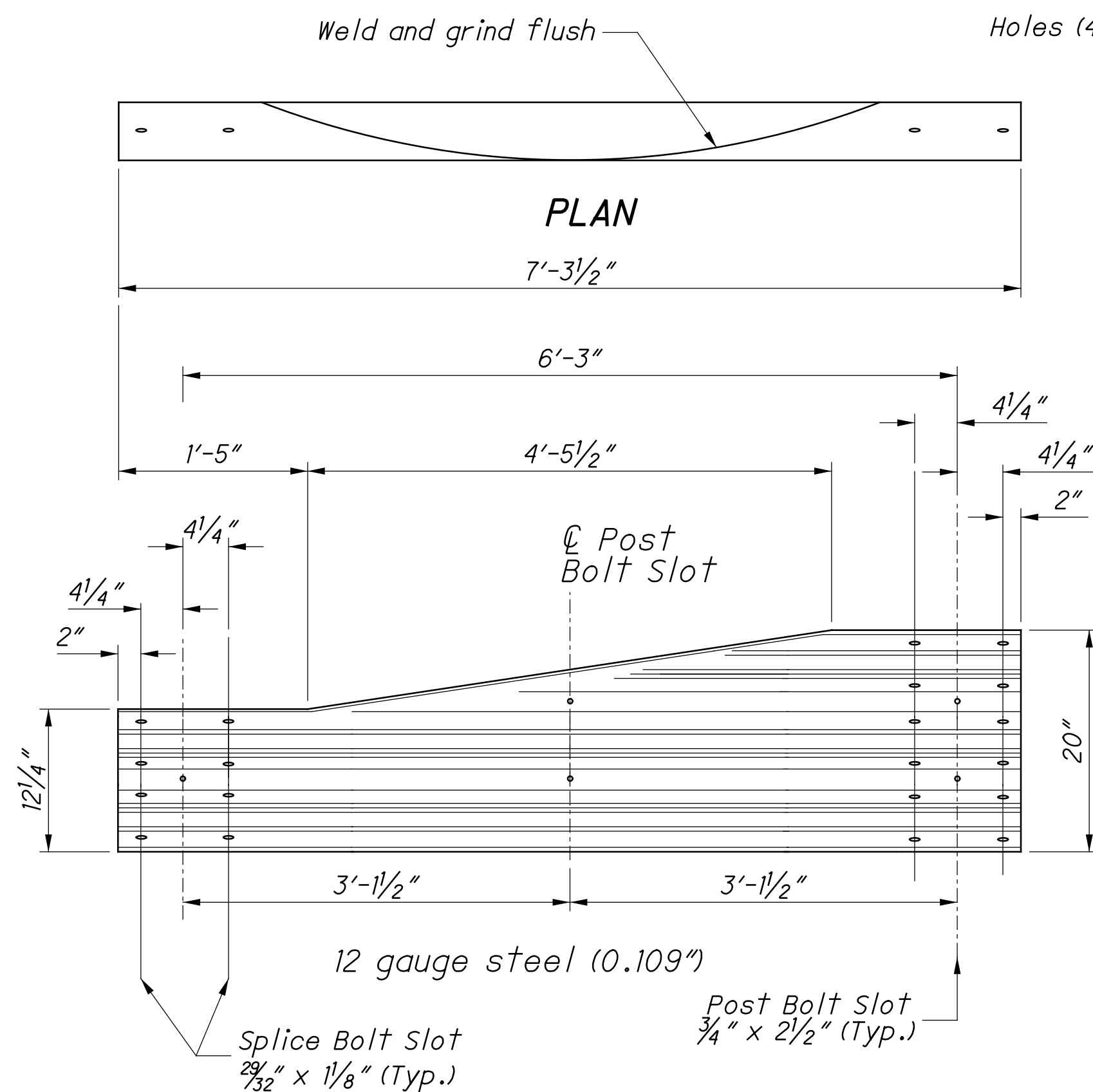
RAIL ELEMENTS: W-Beam Rail has an effective length of 12'-6" unless otherwise specified, with 3/4" x 2 1/2" post bolt slots on 6'-3" centers regardless of post spacing. Field punch or drill bolt holes or slots for irregularly spaced posts as specified in CMS 606.04.

RAIL SPLICES: Lap splices between two rail elements or between a rail and terminal connector in the direction of traffic. Lap the buffer or flared end sections in the direction of traffic.



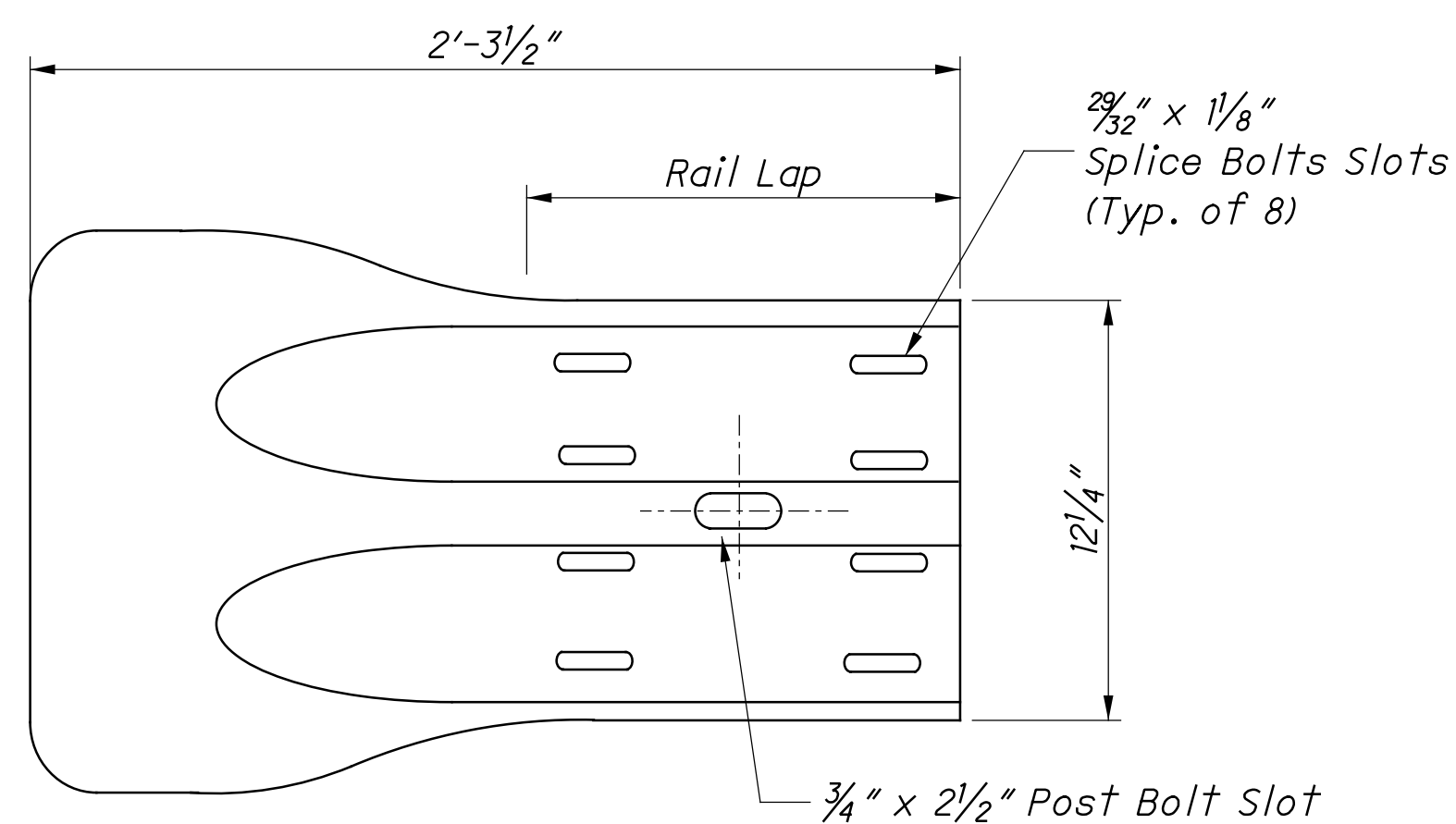
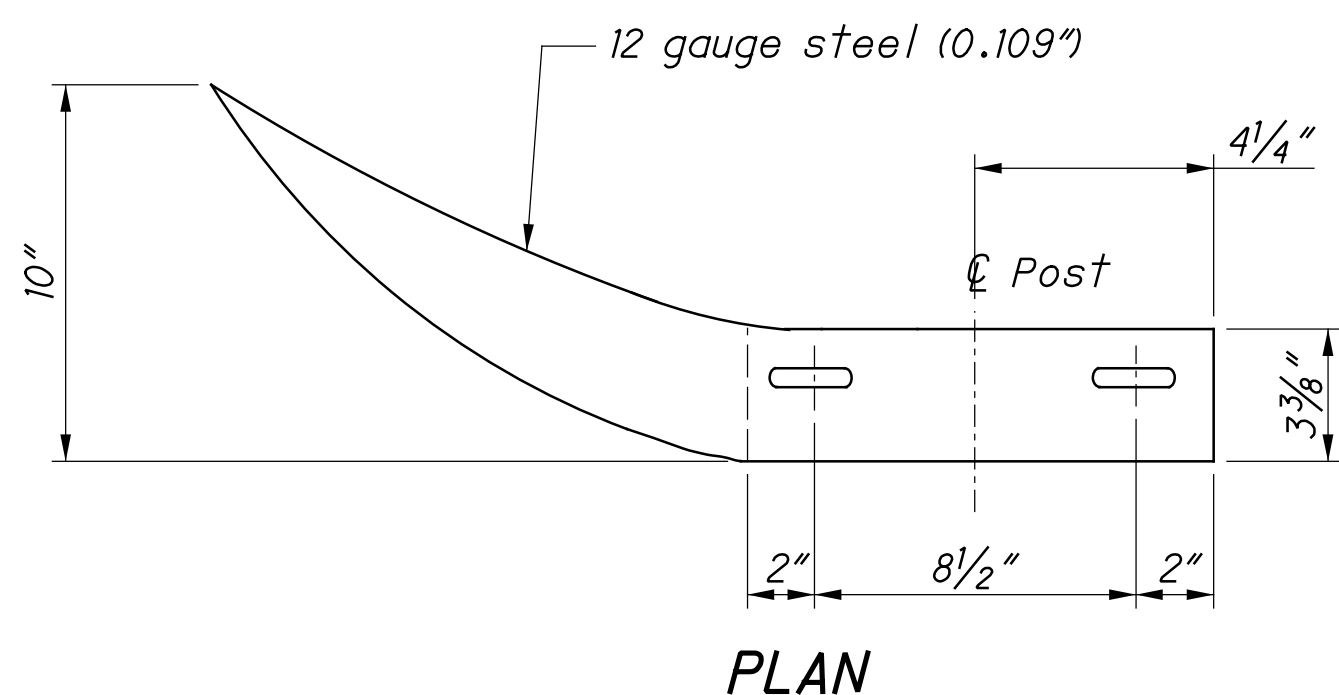
**ELEVATION
W-BEAM TERMINAL CONNECTOR**

**ELEVATION
THRIE-BEAM TERMINAL CONNECTOR**

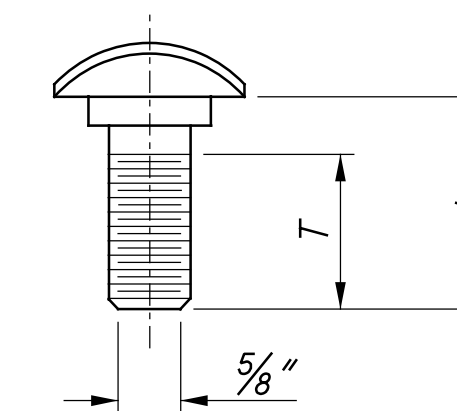


**ELEVATION
TYPE 2 TRANSITION SECTION
(Asymmetric W to Thrie-Beam)**

For details of Type 1 Transition Section (Symmetric), refer to AASHTO M 180, Figure 4.



**ELEVATION
W-BEAM FLARED END SECTION**

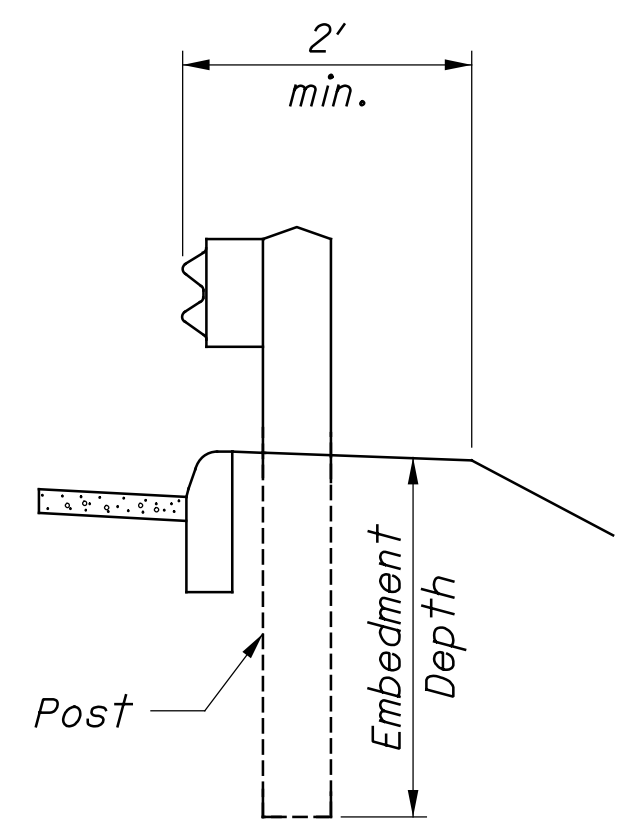


GUARDRAIL BOLT (For Post and Splice Bolts)		
L	T min.	Bolt Use
18" (Standard Rail)	4"	Type 5: WP/WB, PB
26" (Barrier Rail)		
10"	4"	Type 5: SP/WB, PB
1 1/4"	1 1/8"	Splice Bolt

WP = Wood Post WB = Wood Blockout
SP = Steel Post PB = Plastic Blockout

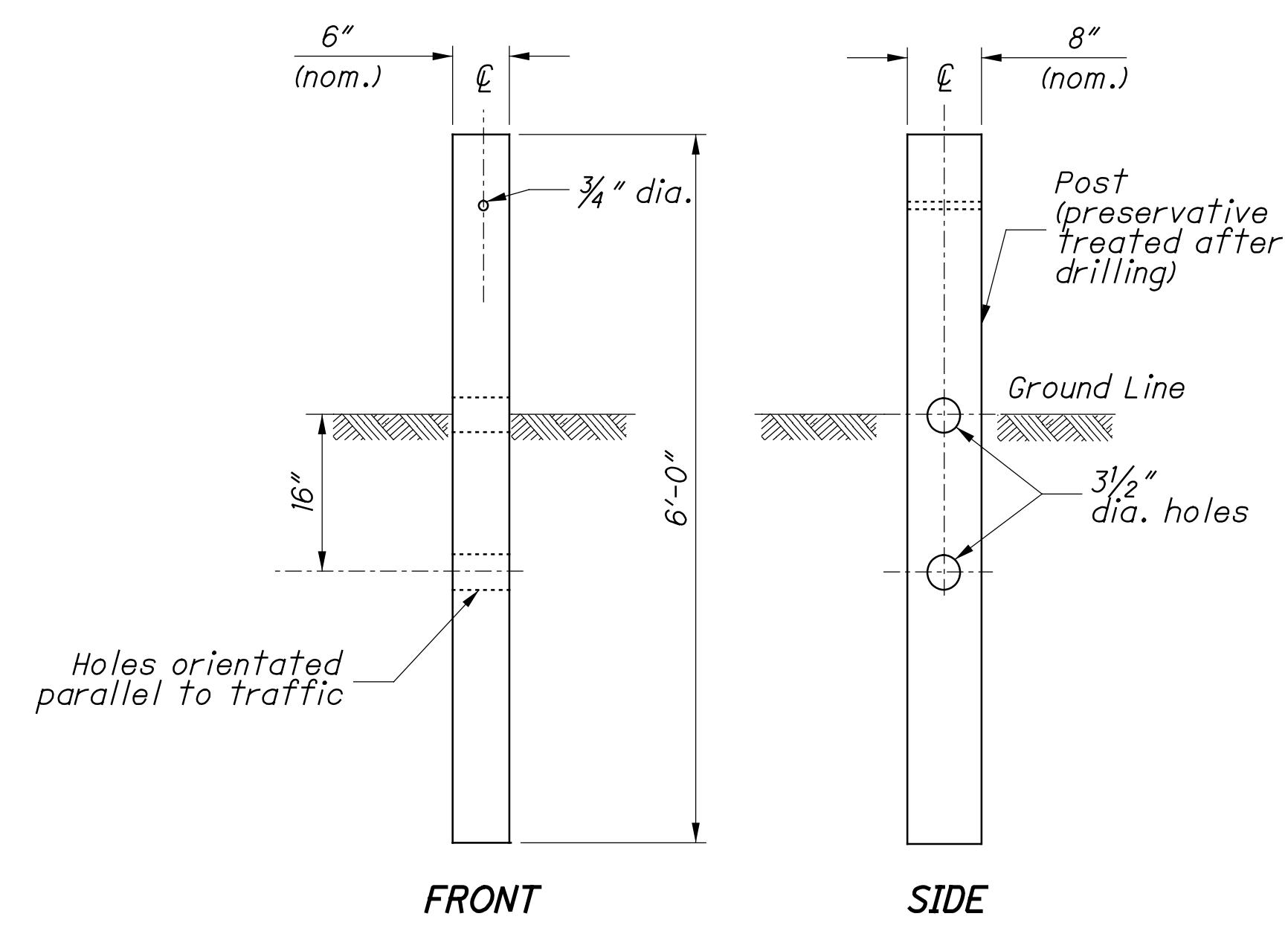
Longer Bolt may be needed for round Wood Post larger than 8" dia.

O:\ODOT\WAR\Socialville-Fosters Road Bridge_CR32_5.14\Design\Roadway\Sheets\PIS\GR-1.1-18-2013.dgn Sheet 1 11/16/2018 2:27:16 PM chris-s

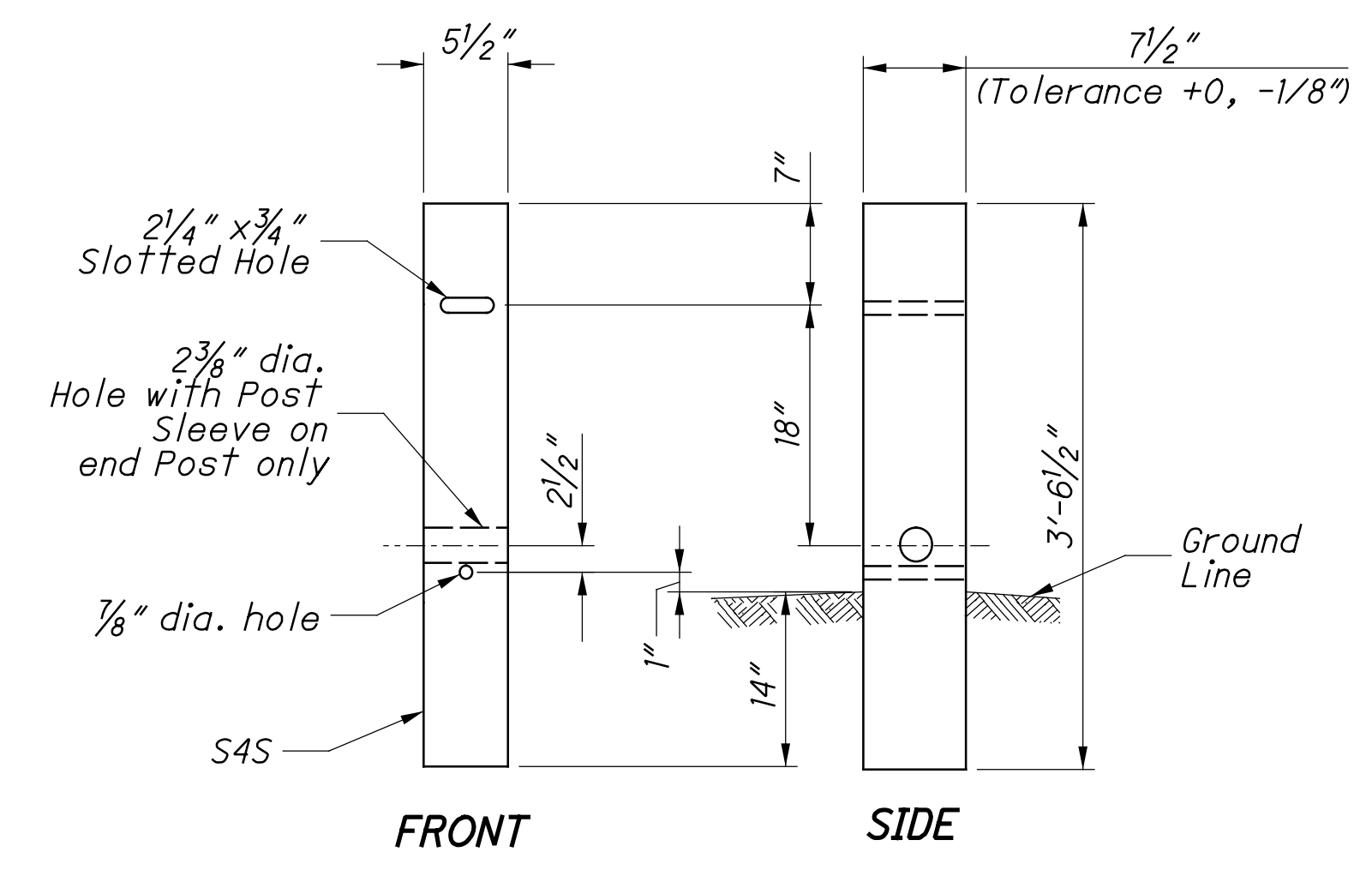


DETAIL A

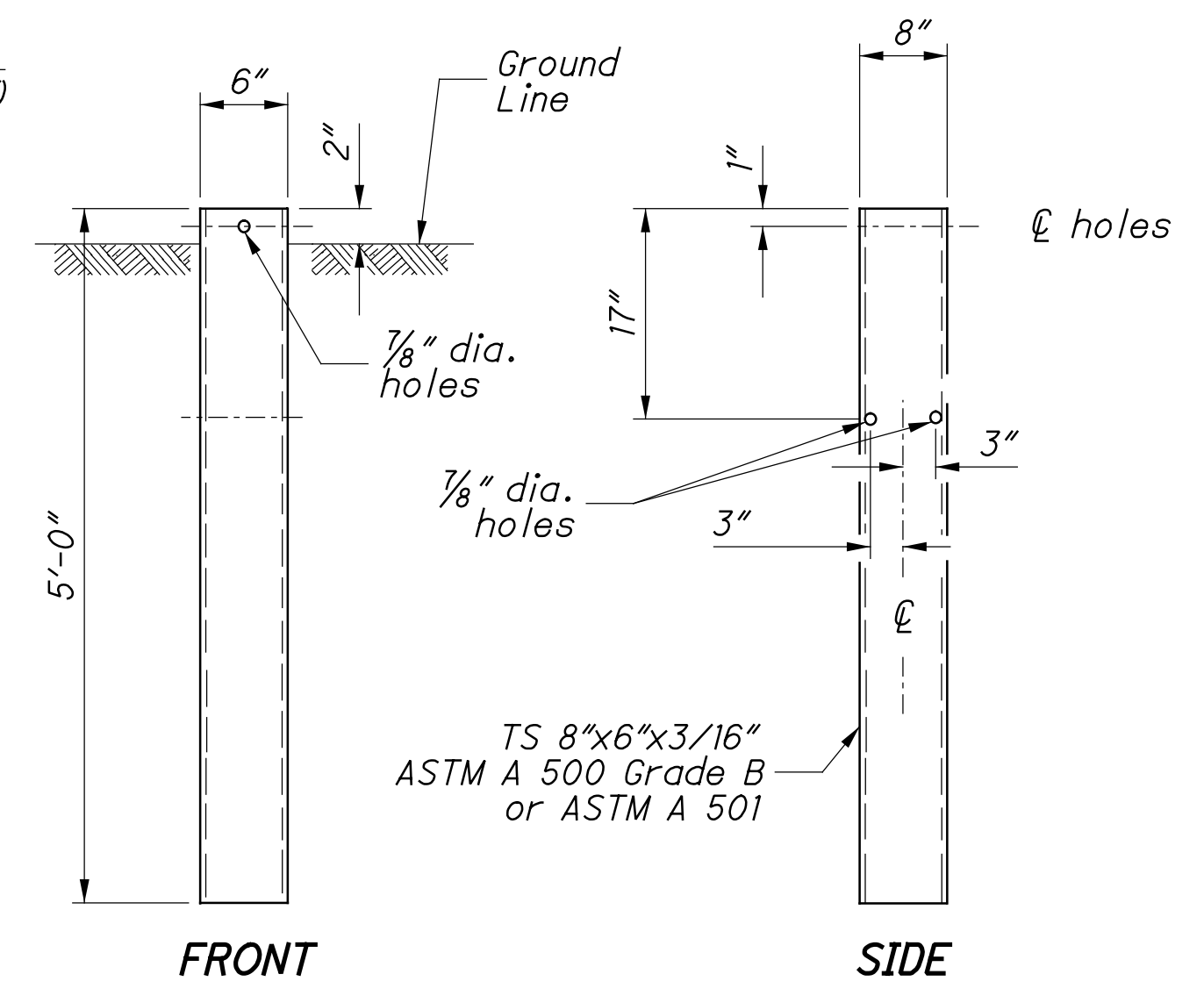
See POST EMBEDMENT DEPTH Note



TYPE 1 BREAKAWAY CRT POST



TYPE 2 BREAKAWAY CRT POST



STEEL GROUND TUBE

NOTES

GUARDRAIL HEIGHT: For initial installation, construct the guardrail within $\pm 1"$ of the standard height, h , or **29"** to the top of W-Beam rail. (See MEASURING GUARDRAIL HEIGHT Detail.)

When subsequent projects, such as resurfacings, affect the height of existing guardrail, the finished height is to be within $\pm 2.5"$ of the standard height.

POST EMBEDMENT DEPTH: Standard embedment is 3'-5" min. Where less than 2' of graded shoulder width (10:1 or flatter) exists, measured from the face of the guardrail (see DETAIL "A"), use longer posts so that a minimum of 5'-5" embedment depth is provided. Payment for the longer posts will be made at the unit price bid for **ITEM 606 - GUARDRAIL POST, 9', Each.**

SPECIAL POST MOUNTINGS: Install posts located over a drainage inlet or structure as shown in the FOOTING ANCHOR Detail, or anchor per the details shown on **SCD GR-2.2.**

Install posts located over a footing with a cover of less than 2'-6" with a footing anchor as detailed here. (A plate, as detailed on SECTION B-B of **SCD GR-2.2**, may be used as an alternative attachment method.) Where the cover is between 2'-6" and 3'-5", the footing anchor may be omitted and the post encased instead with 4" (min.) of concrete.

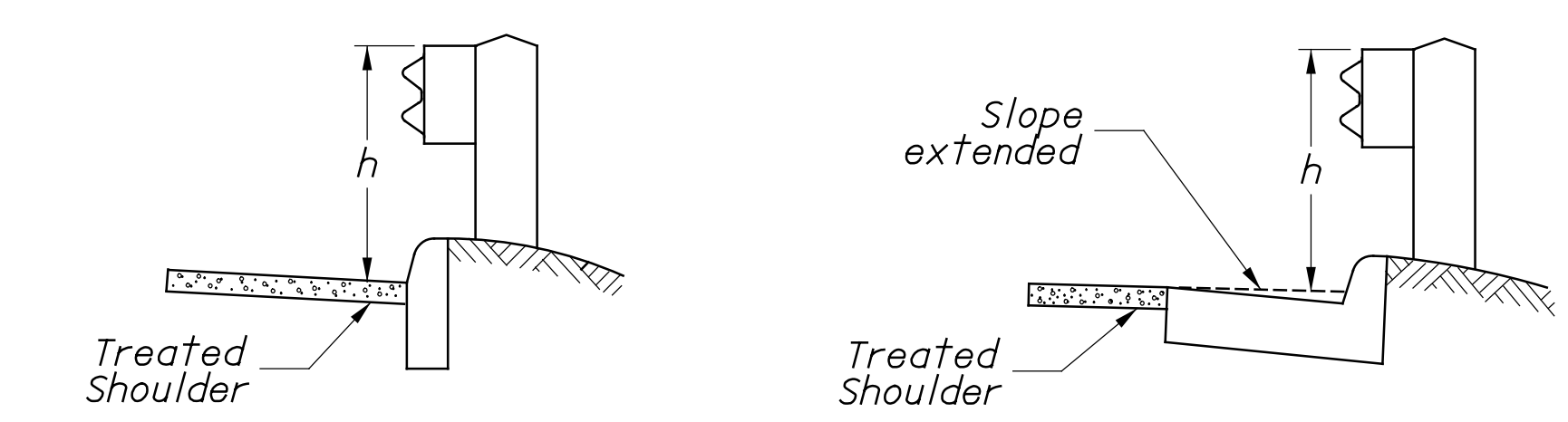
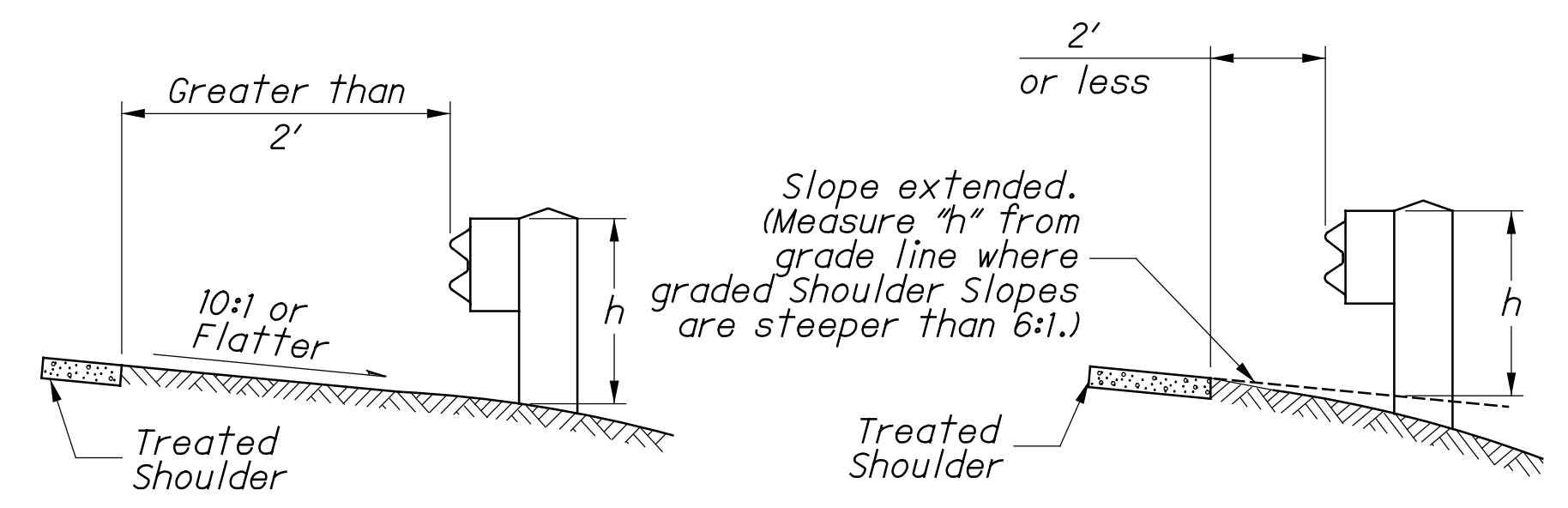
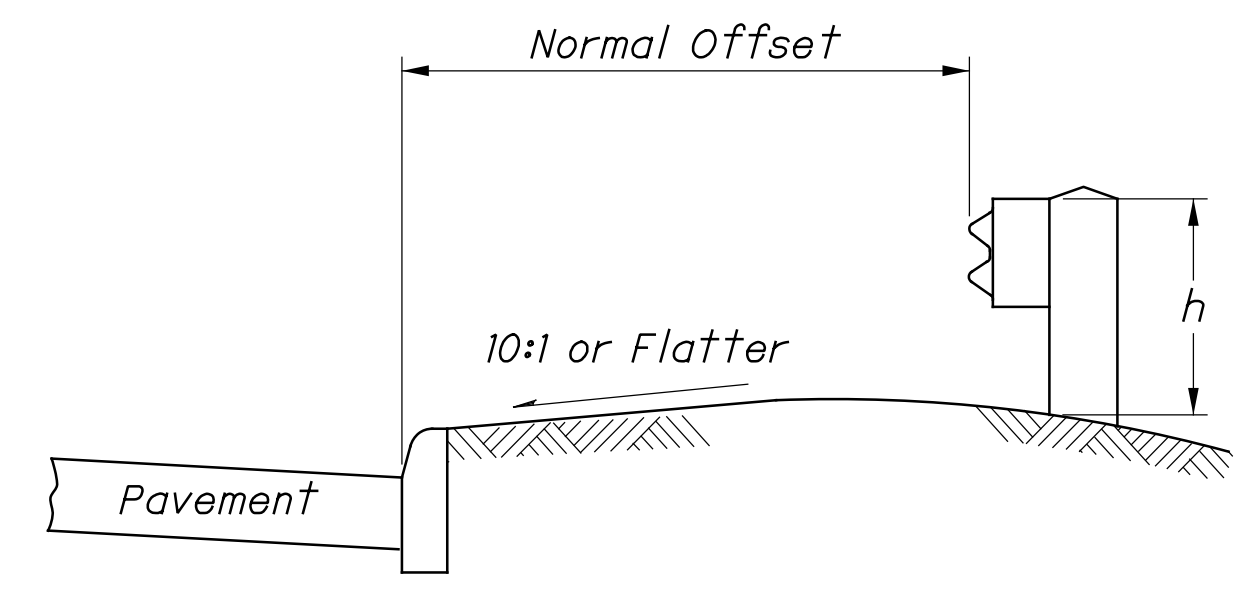
Do not drive posts located over a culvert with less than 4'-3" of cover; instead set in drilled or dug holes. Where the available post embedment depth is less than 3'-5", encase the post with a minimum of 4" concrete.

All costs associated with special post mountings are included in the unit price bid of Item 606 Guardrail of the type specified in the plans.

ANCHORS: Holes and grouting shall comply with CMS 510. Use either cement or non-shrink, nonmetallic grout.

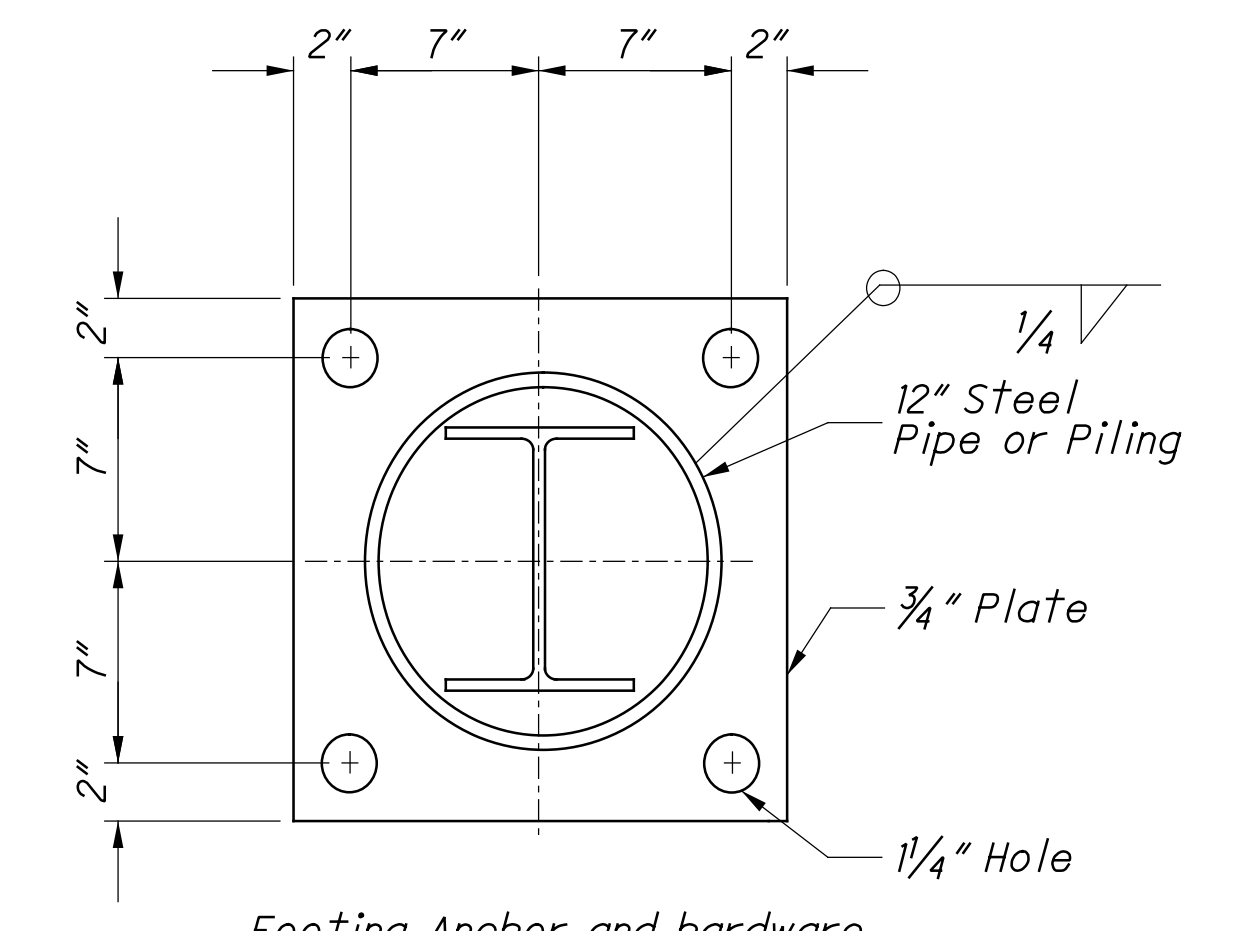
Expansion shield anchors as specified in CMS 712.01 may be substituted except where concrete deterioration has occurred, as determined by the Engineer. Where self-drilling anchors are used, drill the holes with the expansion shield (not by a drill bit) and install the shield flush with the concrete surface.

PROTECTIVE COATING: In lieu of the complying with CMS 710.06, coat expansion shields, anchors and concrete insert anchor assemblies embedded in concrete in accordance with ASTM A 153 or be of stainless steel. Any bolts screwed into these devices shall meet CMS 710.06. (See sheet 3 for Concrete Insert Anchor Assembly Detail.)

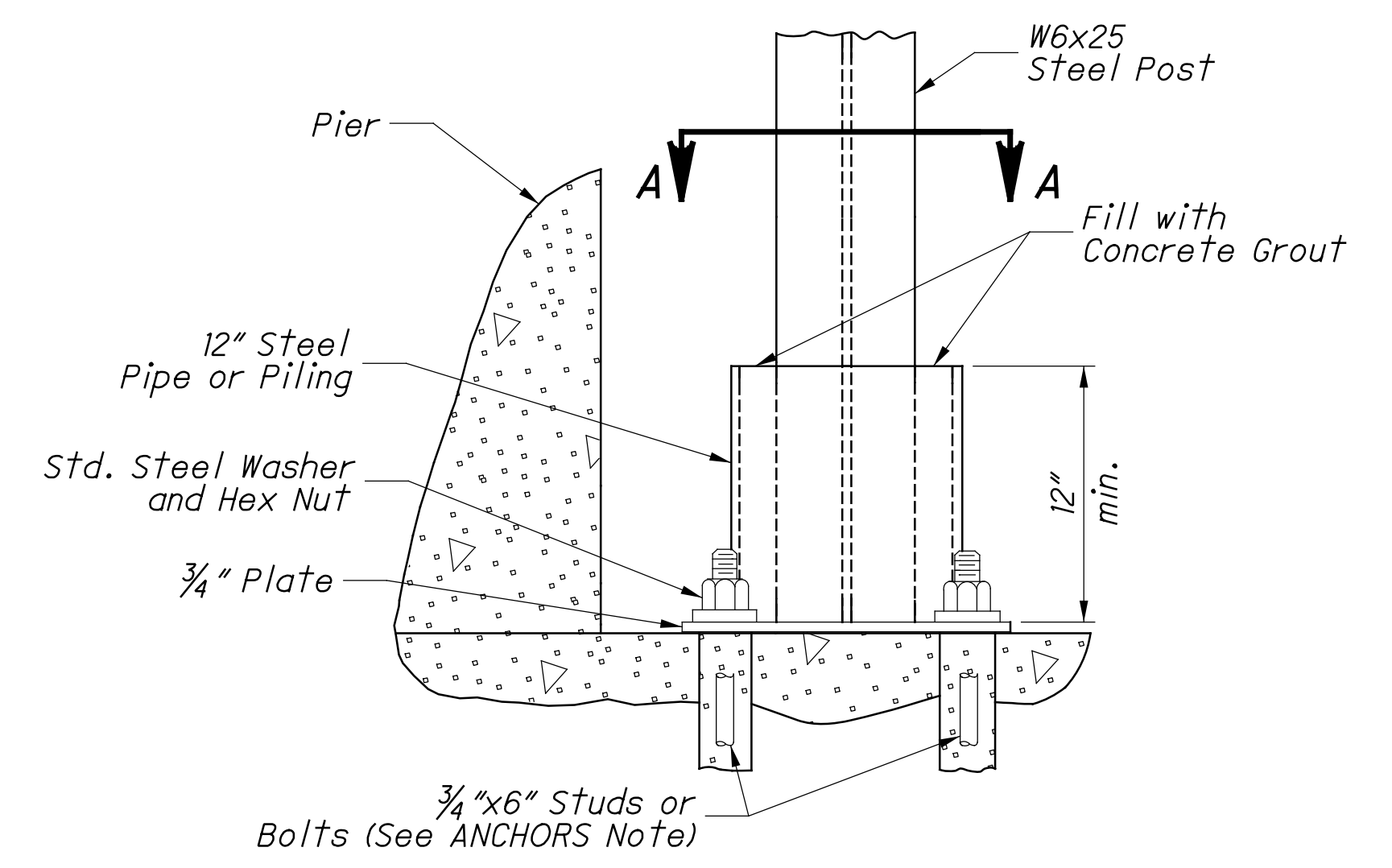


h = Standard Height (See GUARDRAIL HEIGHT Note)

MEASURING GUARDRAIL HEIGHT



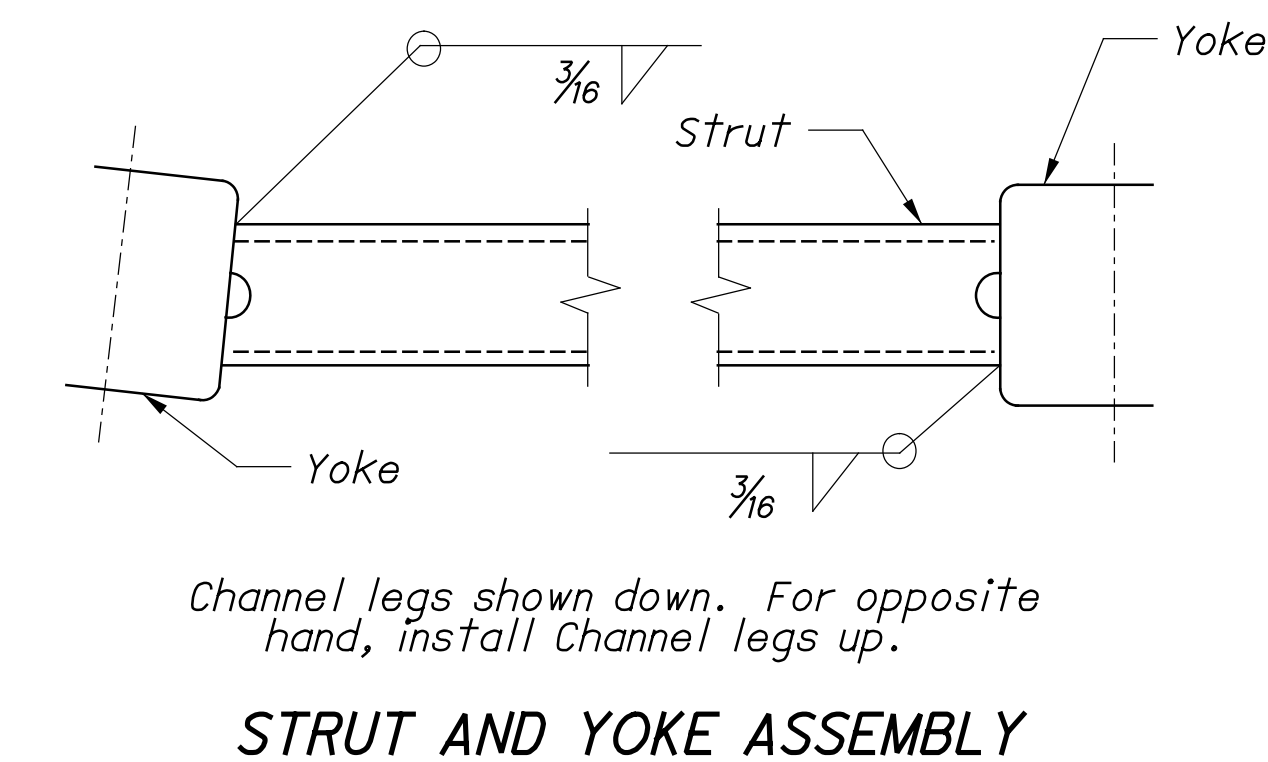
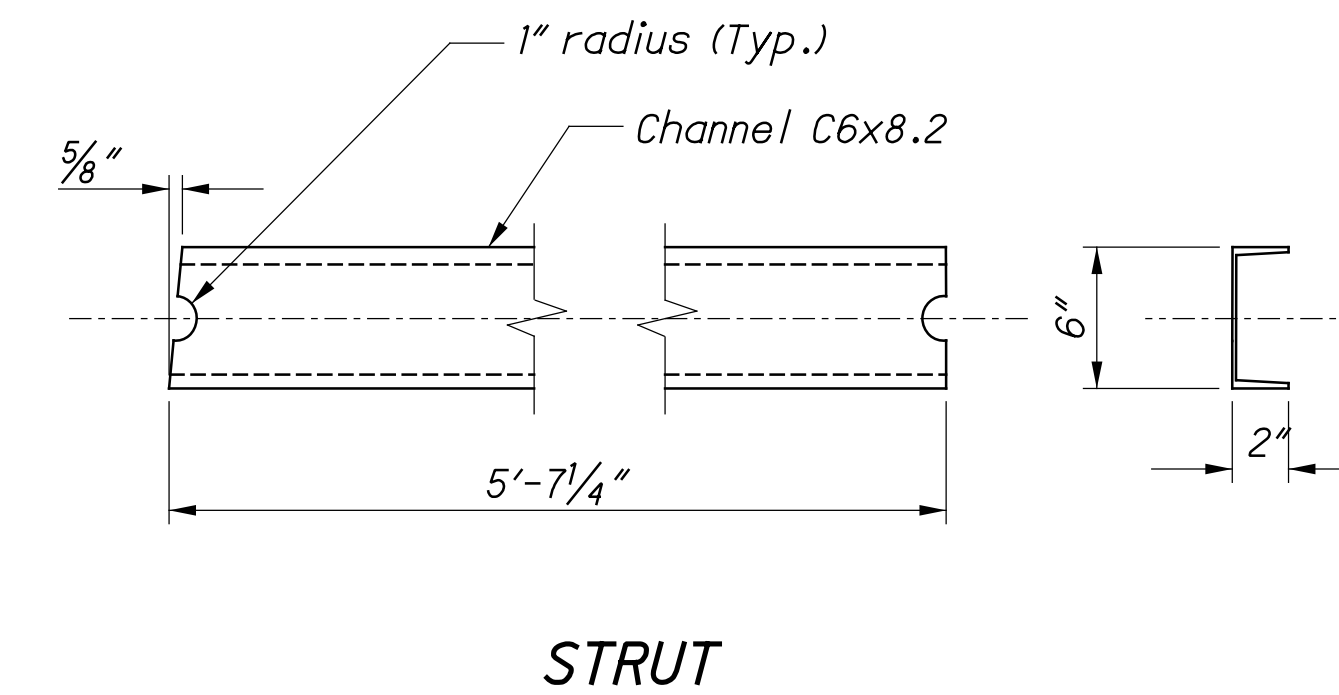
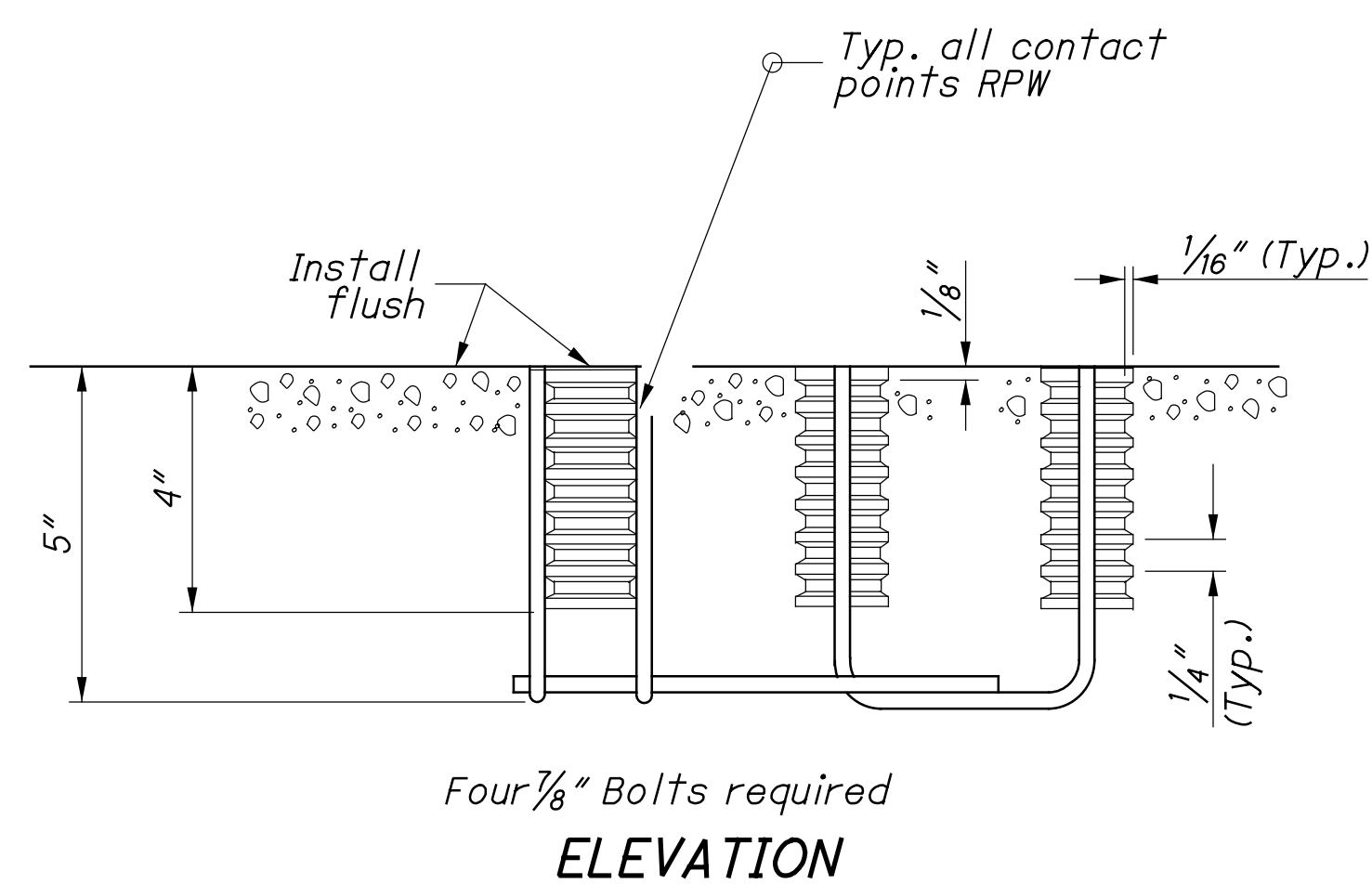
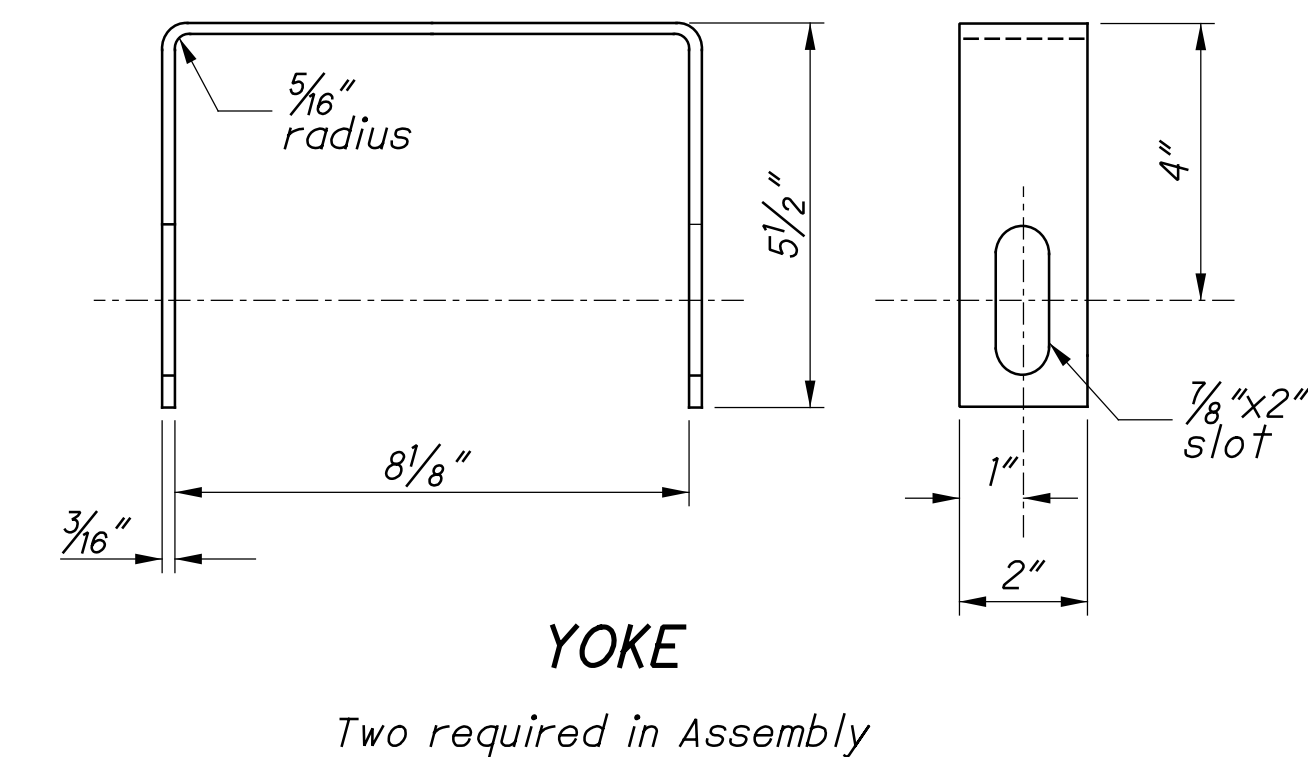
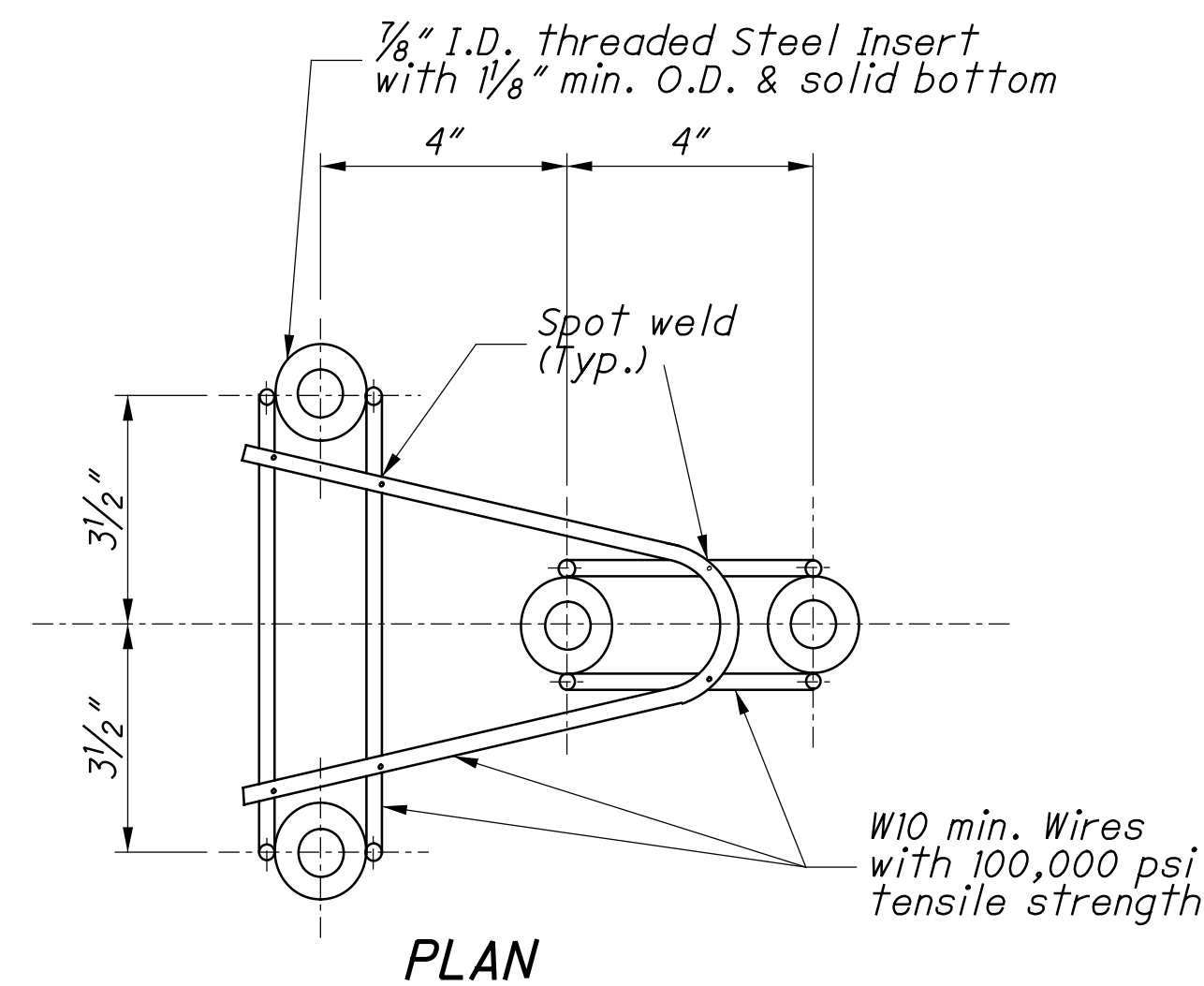
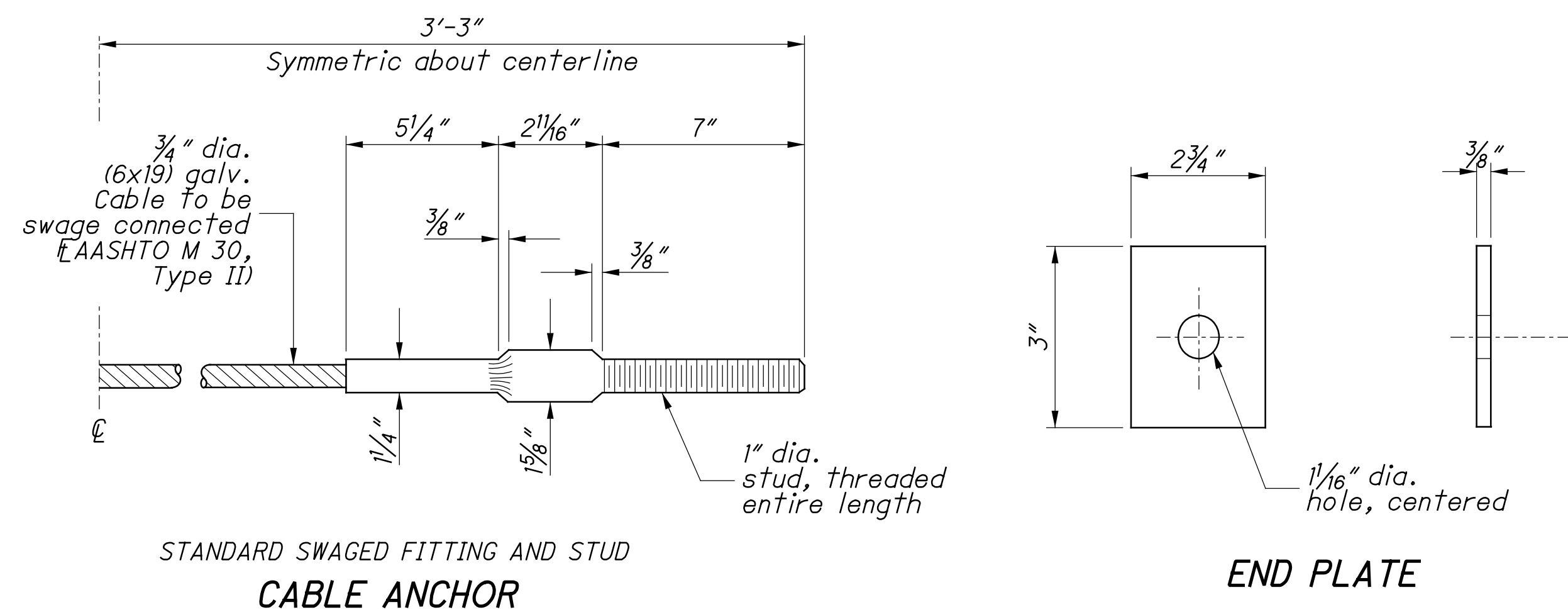
SECTION A-A



ELEVATION FOOTING ANCHOR

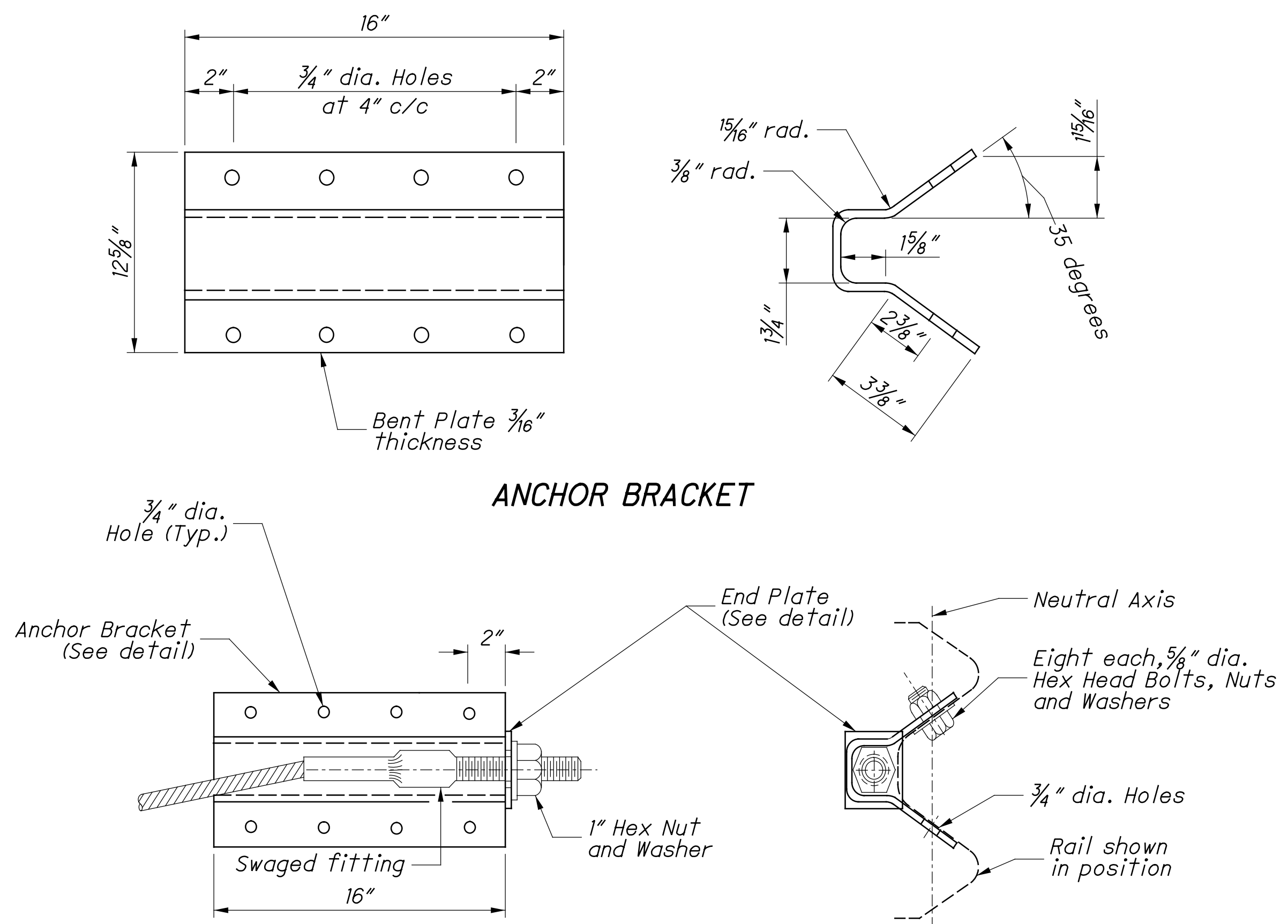
See SPECIAL POST MOUNTINGS Note.

O:\ODOT\WAR\Socialville-Fosters Road Bridge_CR32_5.14\Design\Roadway\Sheets\PIS_GR-1.1_18-2013.dgn Sheet 2 11/16/2018 2:27:16 PM chris-s

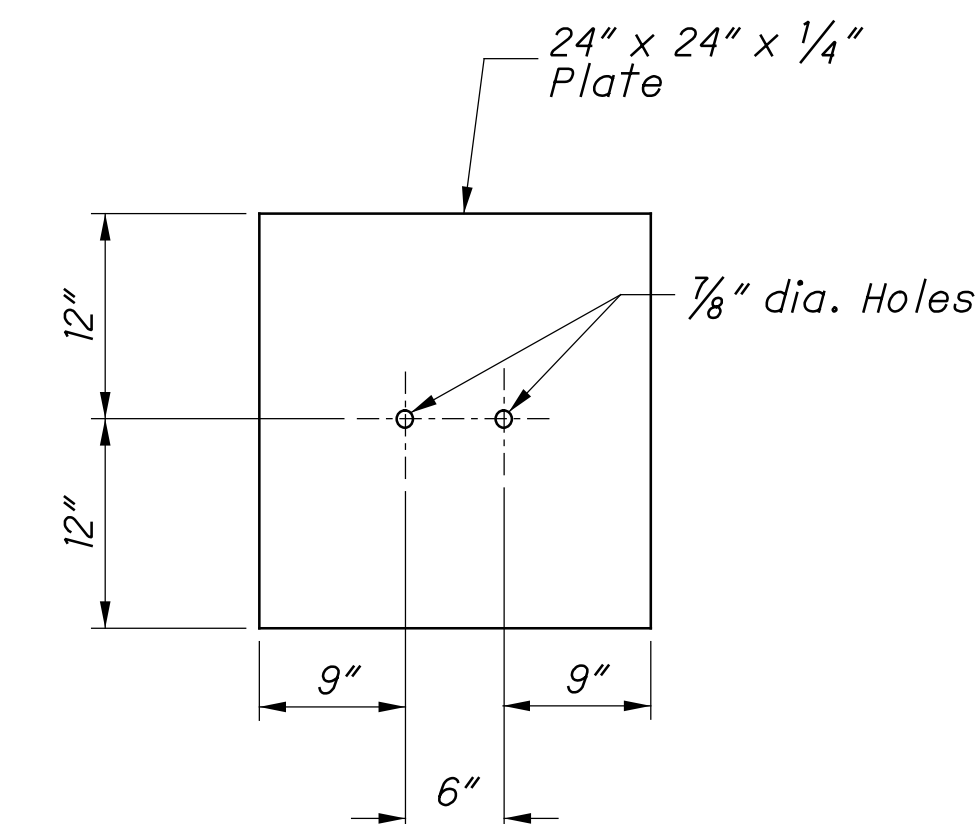
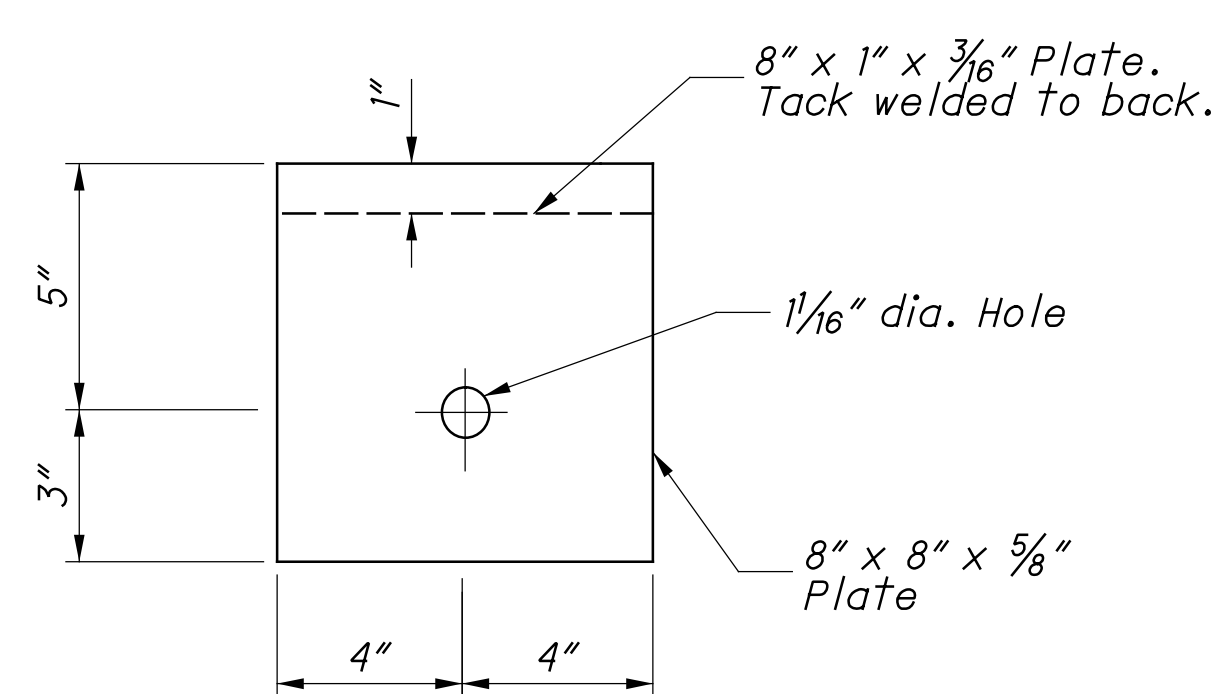
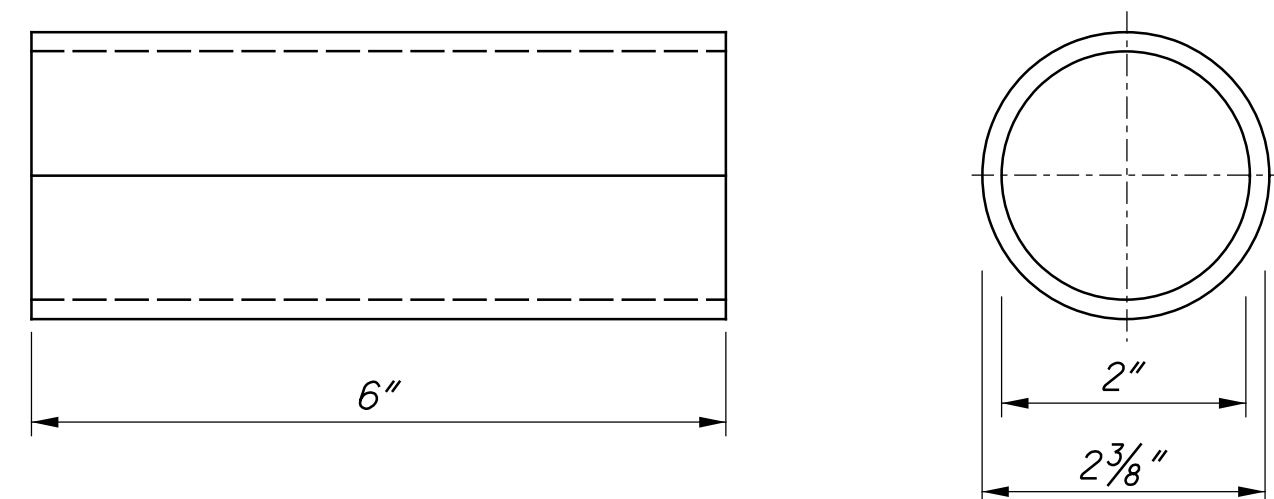


CONCRETE INSERT ANCHOR ASSEMBLY (W-BEAM ONLY)

See ANCHORS and PROTECTIVE COATINGS Notes on Sheet 2

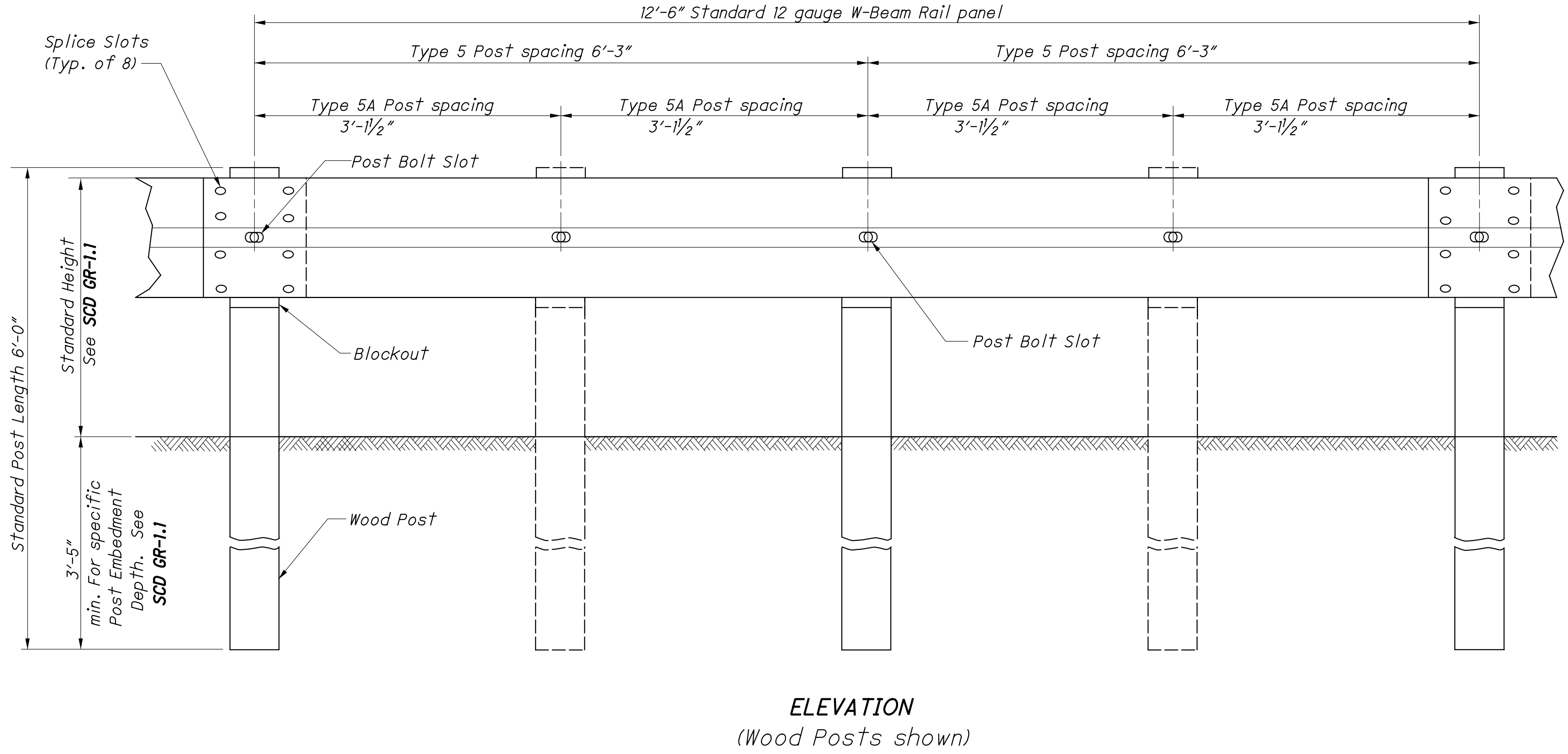
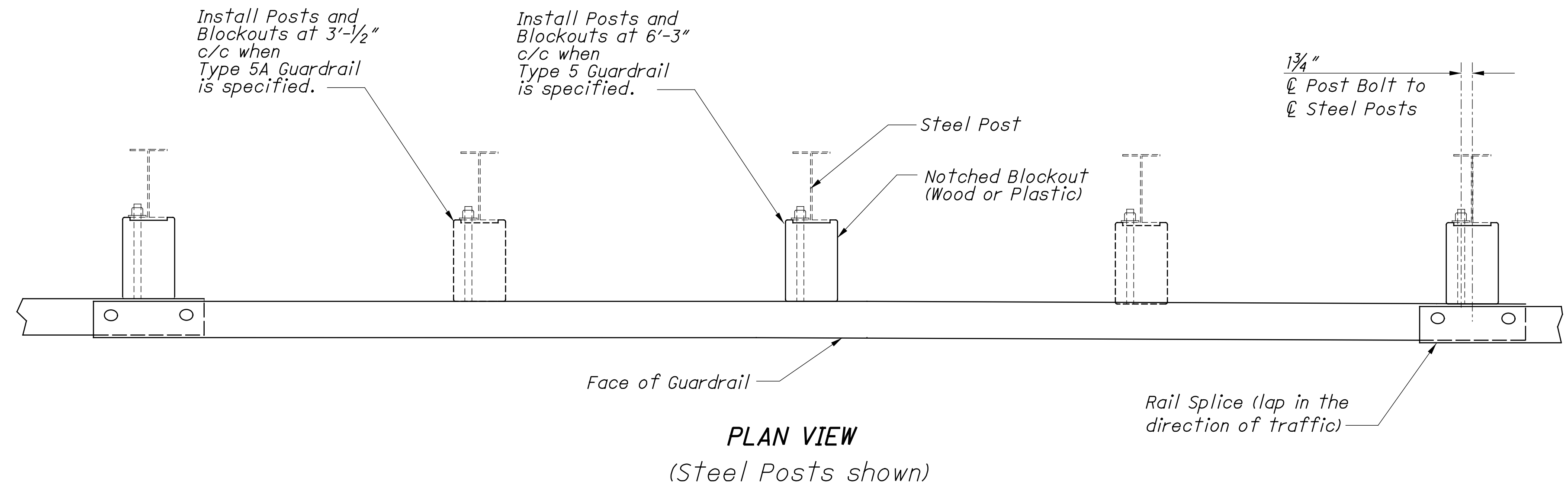


ANCHOR BRACKET ASSEMBLY DETAILS



O:\ODOT\WAR\Socialville-Fosters Road Bridge_CR32_5.14\Design\Roadway\Sheets\PIS-GR-1.1-18-2013.dgn Sheet 3 11/16/2018 2:27:16 PM chris-s

O:\ODOT\WAR\Socialville-Fosters Road_Bridge_CR32_5.14\Design\Roadway\Sheets\PIS\GR-2.1-18-2013.dgn_Sheet 1 11/16/2018 2:27:17 PM chris-s



NOTES

RAIL: Use W-Beam rail meeting AASHTO M 180 Type II Class A, as specified in CMS 606.

POSTS: Posts may be constructed of wood or steel. Wood posts may be round or 6"x8" square-sawed.

Use round wood posts on runs of single-sided rail. The round posts shall be 8"±1 in diameter at the top and not more than 3" larger at the butt with a uniform Taper.

Fabricated wood posts with square ends. Posts shall be pressure-treated as per CMS 710.14. Bore bolt holes and, if required, trim the tops of posts after the posts are set.

Steel posts are to be W6x9 or W6x8.5 galvanized steel. Use the same type of post throughout the length of the project unless otherwise specified in the plans or permitted by the Engineer.

All posts are 6'-0" long unless specified otherwise in the Contract Document. Posts may be set in drilled holes or may be driven to grade.

WELDED BEAM POSTS: Welded beam guardrail posts may be used for Item 606, Guardrail, provided the web and flange sizes are as shown here. Welding of the web to the flanges must comply with ASTM A 769, Class 1, using Grade 36 steel [250 MPa yield point] with the following exceptions:

- Sec. 7.2 Test reports of tensile properties for each lot shall accompany each shipment.
- Sec. 12 Beams that have imperfections repaired by welding shall not be accepted for use in Item 606.
- Sec. 13 Random samples shall be tested by the Department from materials delivered to the project site, or other locations designated by the Laboratory.

ALTERNATE POSTS: Engineered guardrail posts having met NCHRP 350 criteria, and listed on the **Office of Materials Management's** Approved List are permitted as an equal alternate when installed according to the Manufacturer's instructions and within the limitations shown on the Approved List.

BLOCKOUTS: Blockout dimensions are dependent on post used. Wood Blockouts are to be pressure treated as specified in CMS 710.14. Bore bolt holes. Approved alternate blockouts may be used in lieu of the wood blockouts shown. The approved list is maintained by the **Office of Roadway Engineering**.

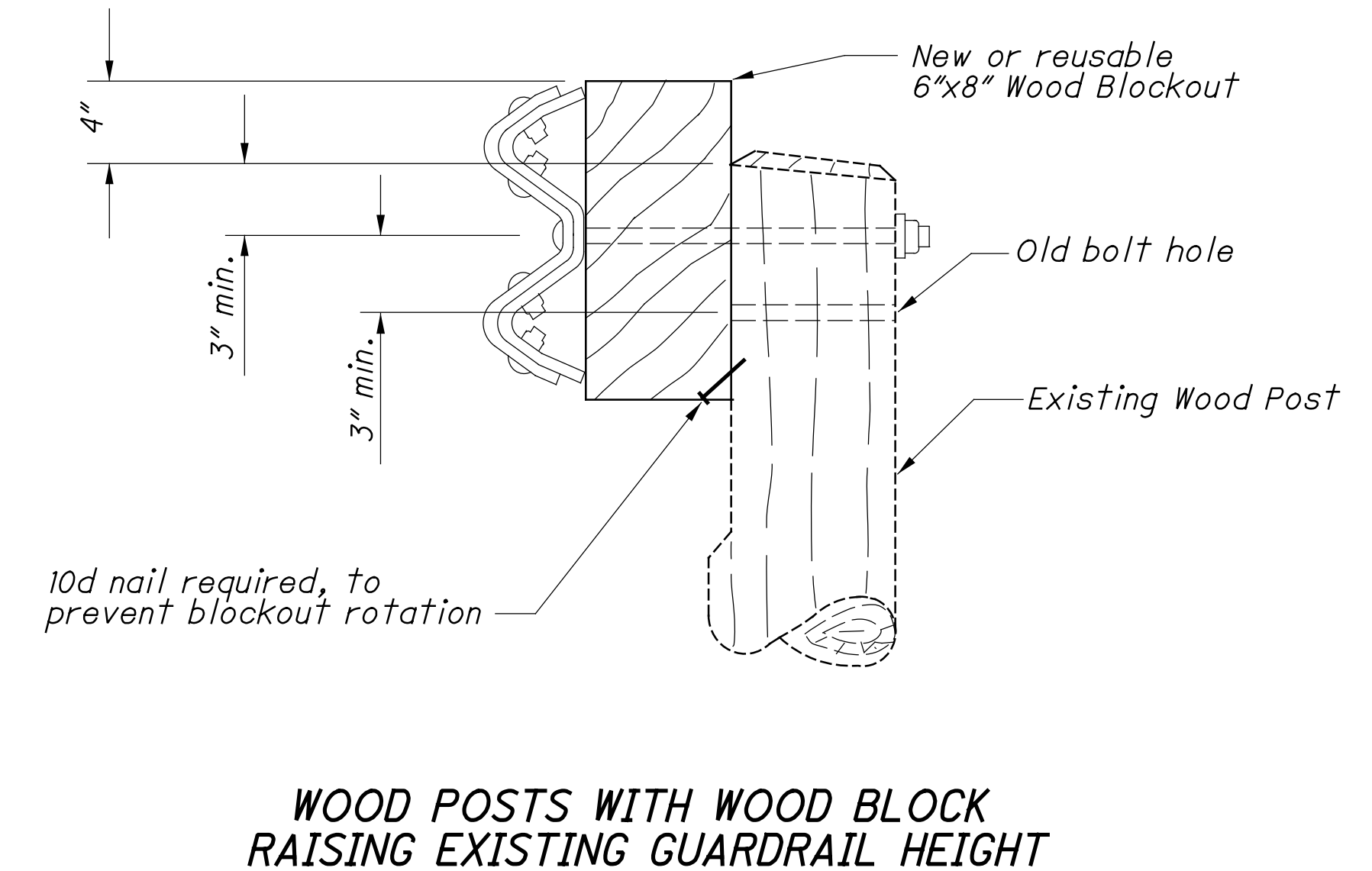
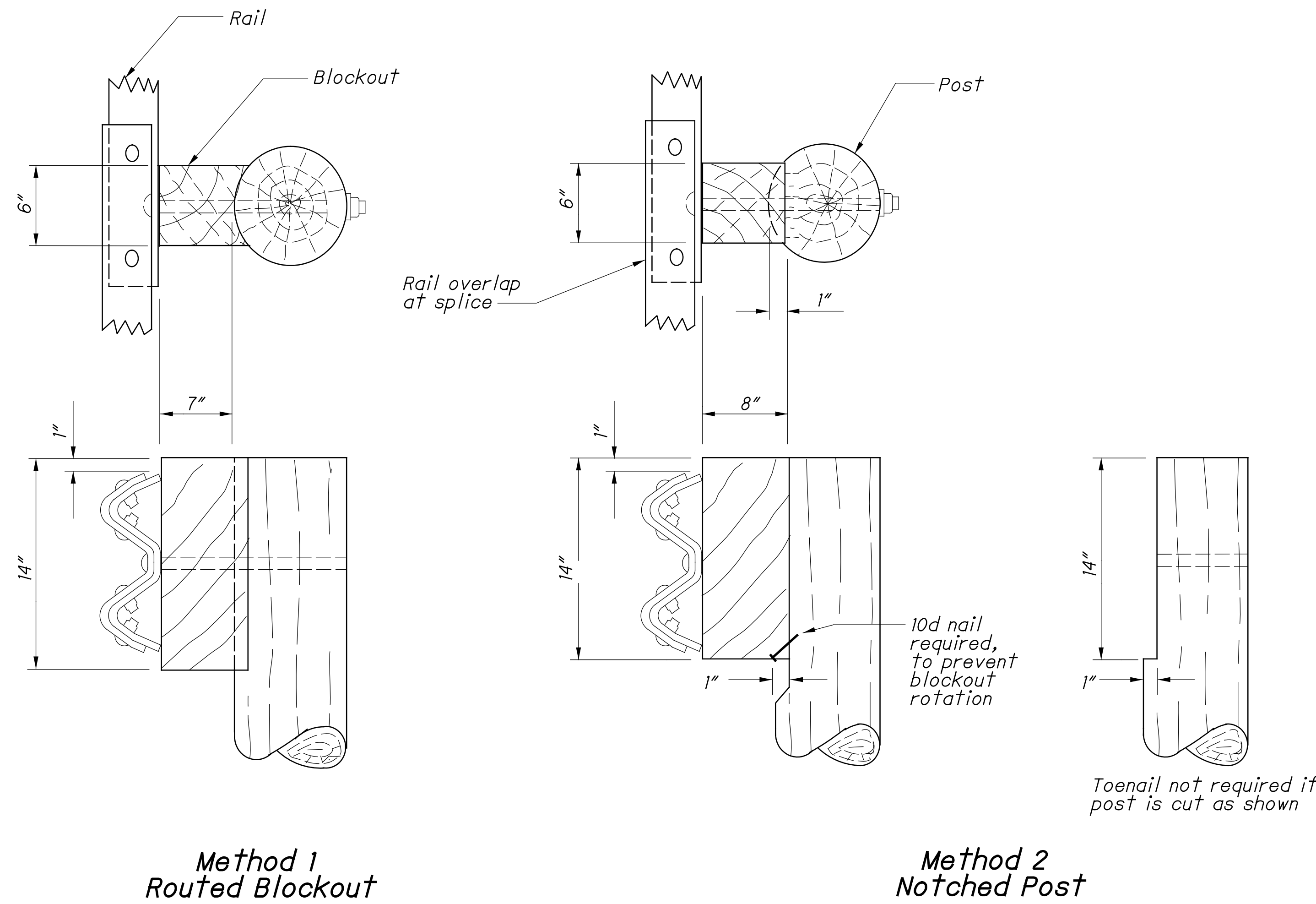
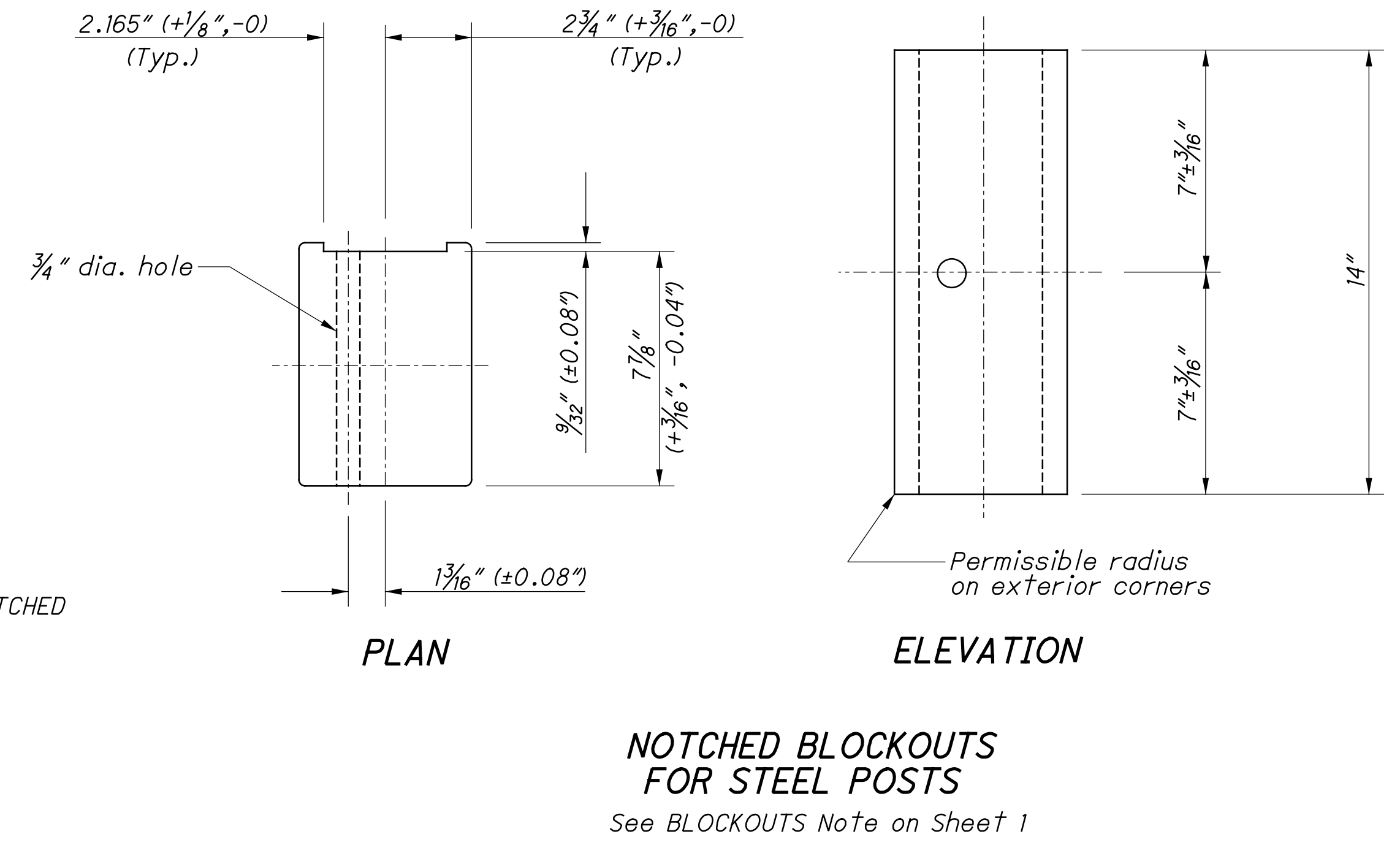
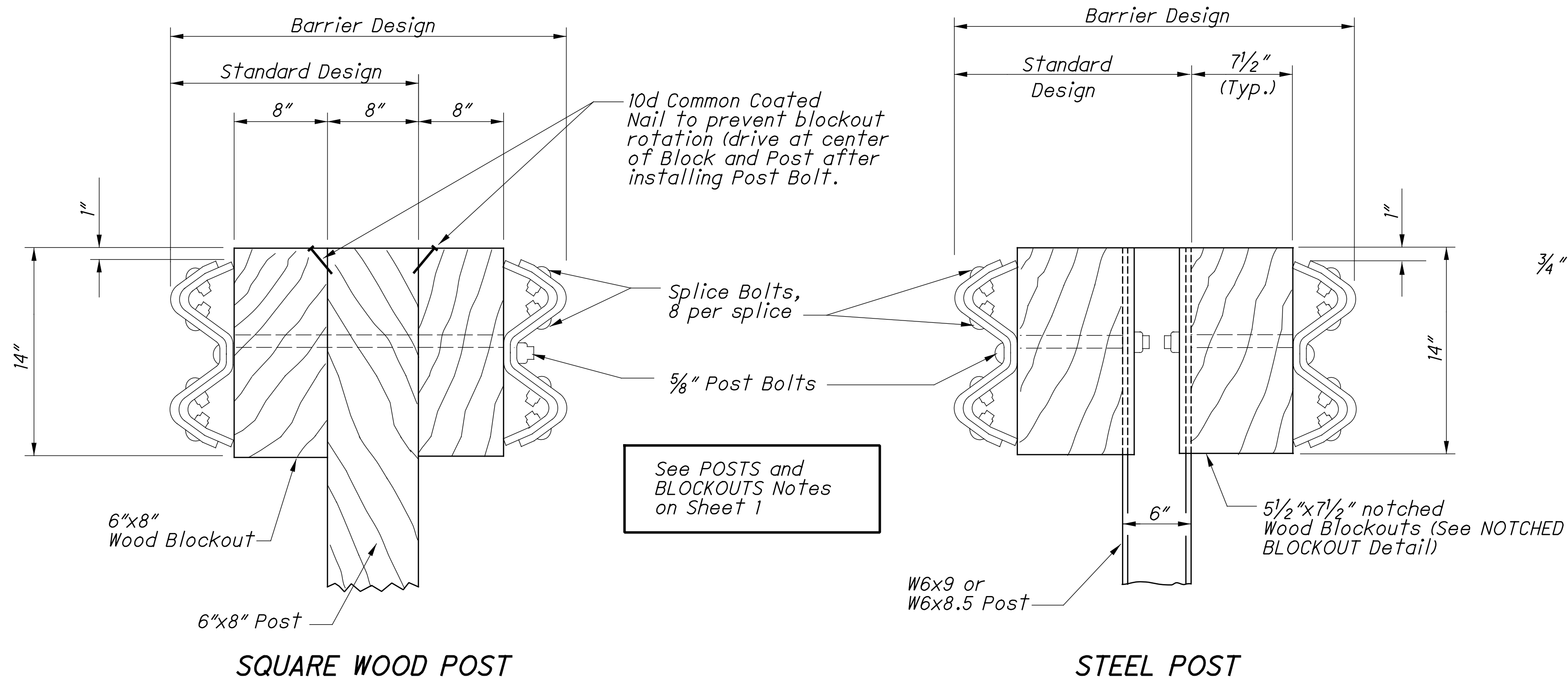
WASHERS: Install appropriate sized standard galvanized steel washers on the nut side of bolts installed on wood posts.

DELINEATION: For barrier reflectors, see CMS 626.

MISCELLANEOUS: For other guardrail details, see SCD GR-1.1.

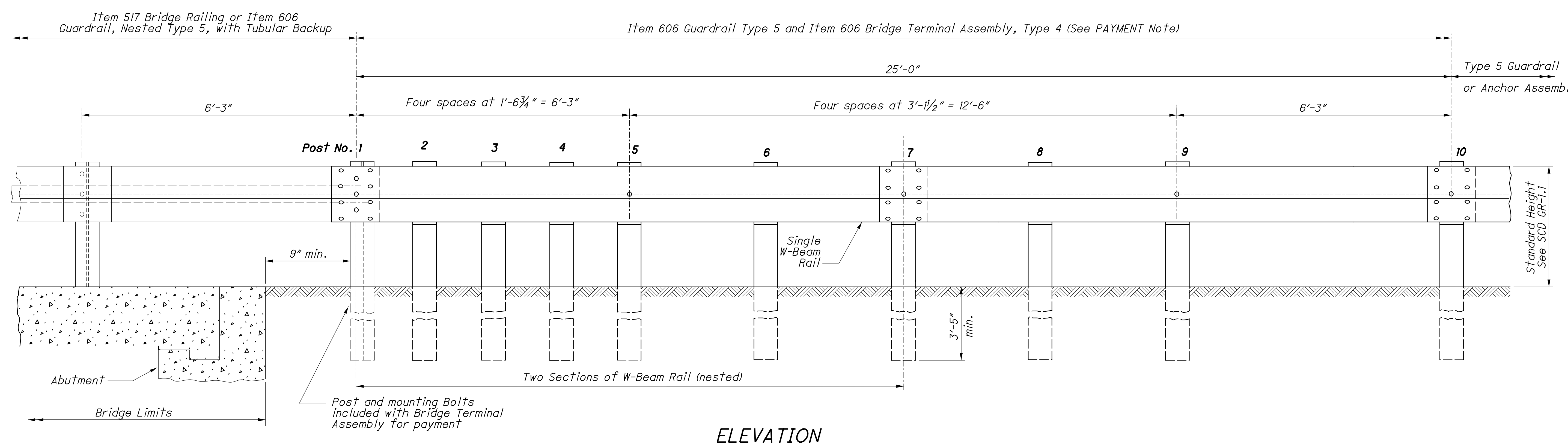
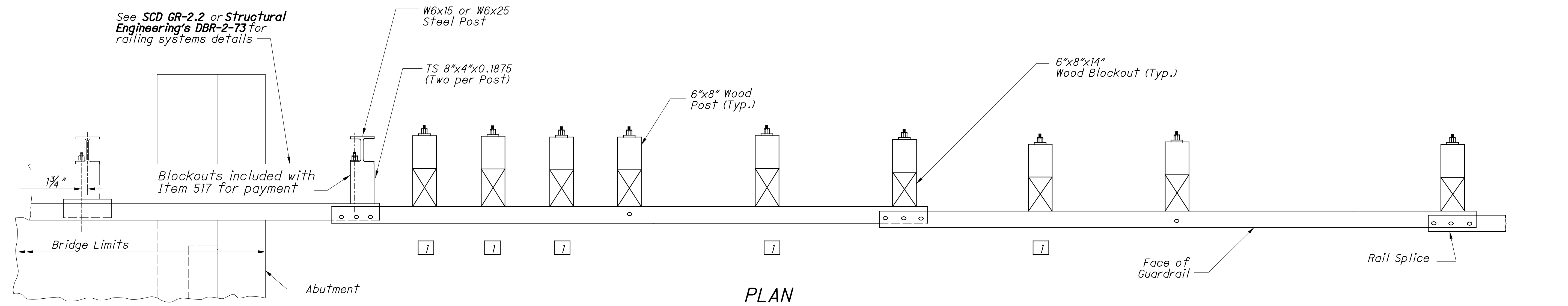
STEEL BEAM POSTS (English)				
Size	Beam depth	Flange width	Flange thickness	Web thickness
Rolled W6x8.5	5.8"	3.94"	0.193"	0.170"
Rolled W6x9	5.9"	3.94"	0.215"	0.170"
Welded 6x8.5	6.0"	3.94"	0.193"	0.170"
Welded 6x9	6.0"	3.94"	0.215"	0.170"

O:\ODOT\WAR\Socialville-Fosters Road Bridge_CR32_5.14\Design\Roadway\Sheets\PIS_GR-2.1-18-2013.dgn_Sheet 2 11/16/2018 2:27:17 PM chris-s



Alternate methods of placing the Blockouts on round Posts may be submitted for consideration and approved by the Engineer.

ROUND WOOD POSTS
Single Sided runs only (Standard Design)



NOTES

GENERAL: For additional details, see **SCD GR-1.1**.
APPLICATION: The Type 4 Bridge Terminal Assembly shall connect Type 5 Guardrail runs to Type 5 Guardrail with Tubular Backup or to Deep Beam Bridge Guardrail (as shown on **Structural Engineering SCD DBR-2-73**).

DETAIL INFORMATION: The first post off the bridge shall be steel (W6x15 or W6x25). All holes in the off-structure end of the approach panel rail section spanning the abutment are slotted 3/4"x2 1/2". Tighten the bolts as specified for expansion joints in Item 606.05.

POSTS: Posts may be set in drilled holes or driven to grade. See **SCD GR-1.1** for additional Post embedment details. Guardrail is not attached to certain posts (see LEGEND).

WOOD POSTS - Use square sawed pressure treated wood as specified in CMS 710.14 and fabricated with square ends. Bore bolt holes and trim the tops of posts, if required after the posts are set.

STEEL POSTS - are allowed as an alternate. Use W6x9 or W6x8.5 in lieu of the 6"x8" wood post. Use same post material through-out assembly.

BLOCKOUTS: Approved alternate blockouts can be found on the Office of Roadway Engineering website. Steel blockouts are not permitted.

FLARED GUARDRAIL: Start Standard Guardrail Flares as shown on **SCD GR-5.1** at or beyond Post No. 10; however, the flare may begin at Post No. 7.

PAYMENT: Item 606 - Bridge Terminal Assembly, Type 4, Each, includes the cost of extra components in excess of normal guardrail, such as additional posts and other hardware. The TS 8"x4" spacers and tubular backup rail extending to the first post off the bridge is included with **Item 517 - Railing, or Item 606 - Guardrail, Nested Type 5 with Tubular Backup,** for payment.

LEGEND

1 Guardrail is not attached to posts at Posts 2, 3, 4, 6, and 8. Blockout is fastened to post with standard Post Bolt.

O:\ODOT\WAR\Socialville-Fosters Road_Bridge_CR32_5.14\Design\Roadway\Sheets\PIS_GR-3.4_7-20-2018.dgn Sheet 11/16/2018 2:27:18 PM chris-s

NOTES

APPLICATION: Use Type T Anchor Assemblies on the trailing end of guardrail runs, located outside of the clear zone of opposing traffic. The assembly is 12'-6" long, none of which can be considered the Length of Need for the guardrail run.

For termination requirements at driveways, see DRIVEWAY OPENING Detail on Sheet 2. For side road approaches and Terminals at Structures, see Location & Design Manual, Volume 1, Figure 603-3.

ANCHORING OPTIONS: Contractor may choose either the foundation tube (shown on this Sheet) or the concrete footing option (Sheet 2) to construct this anchor assembly.

If the foundation tube option is chosen, the contractor will take proper care to insure that the Soil Plate fasteners are not broken during the driving process.

Concrete footings may be cast-in-place or precast. Compact fill after placing precast unit.

MATERIALS: See SCD GR-1.1 for parts used on this anchor, including the CRT Breakaway Posts, Steel Ground Tube, Post Sleeve, Cable Anchor and Bracket Assembly.

Bearing Plate and Soil Plate is ASTM A709 Grade 36. Steel Ground Tube shall be ASTM A500, Grade B, and meet CMS 707.10. All angles, channels and plates shall meet CMS 711.01. All structural steel shall be galvanized as specified in CMS 711.02. All bolt washers indicated are standard galvanized steel of the appropriate size.

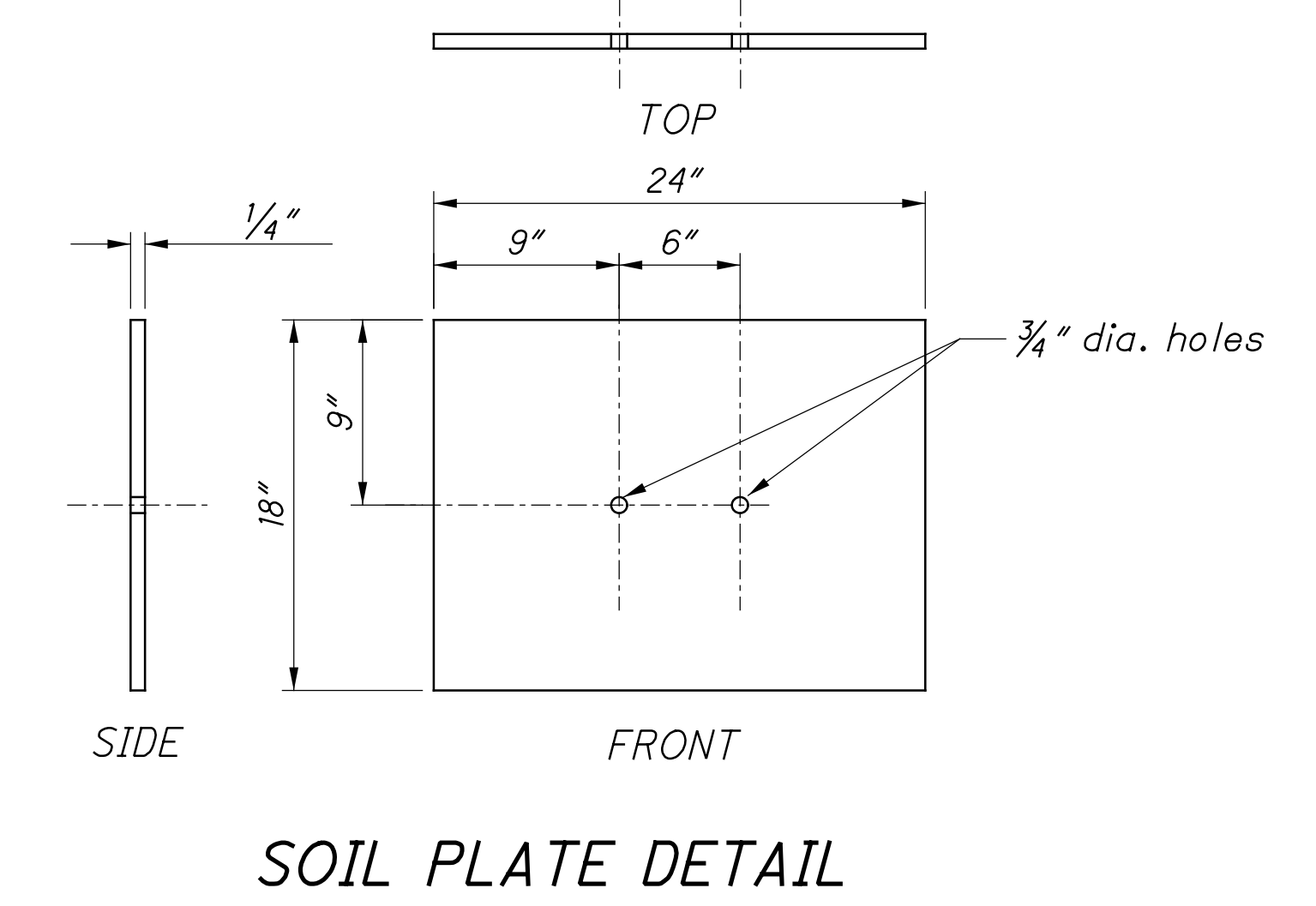
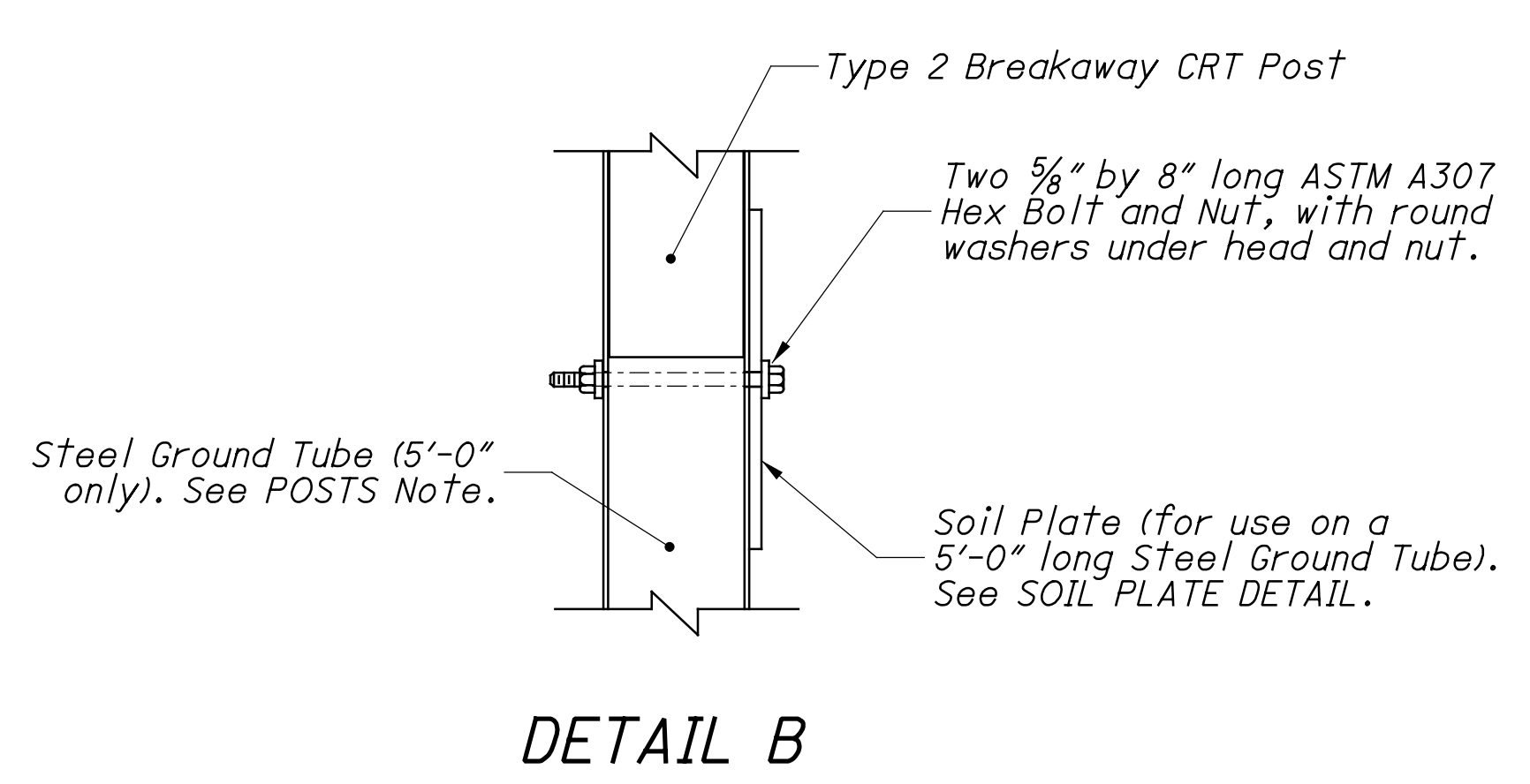
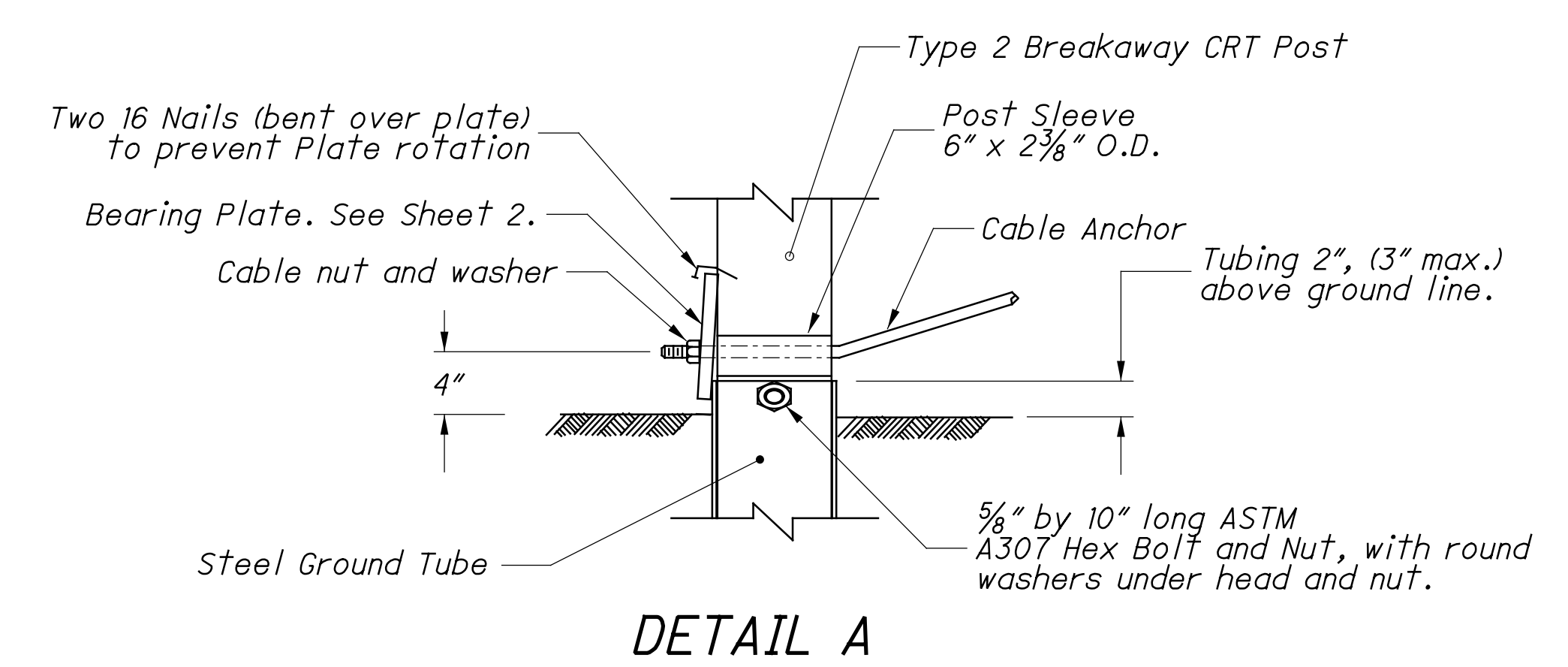
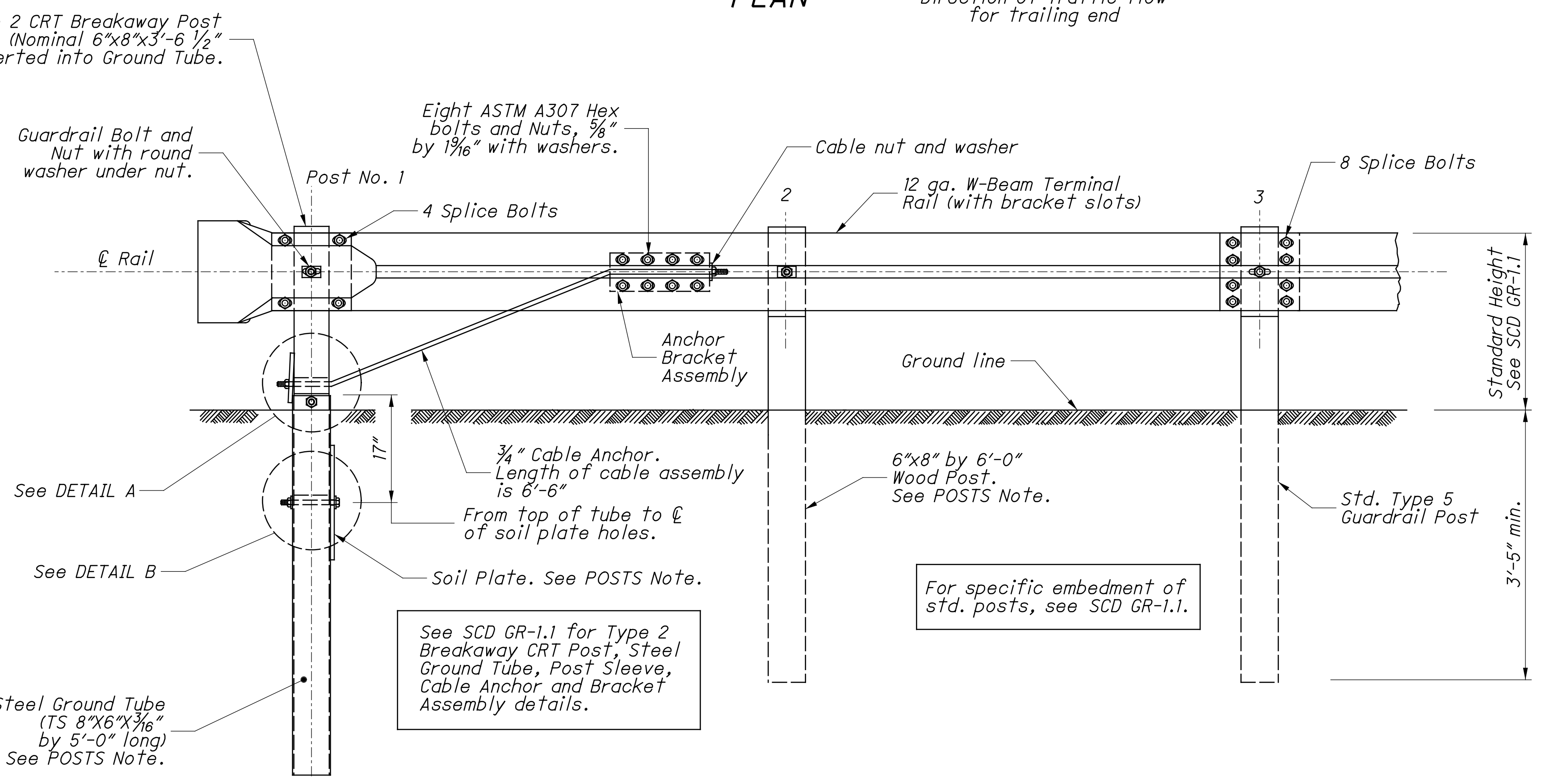
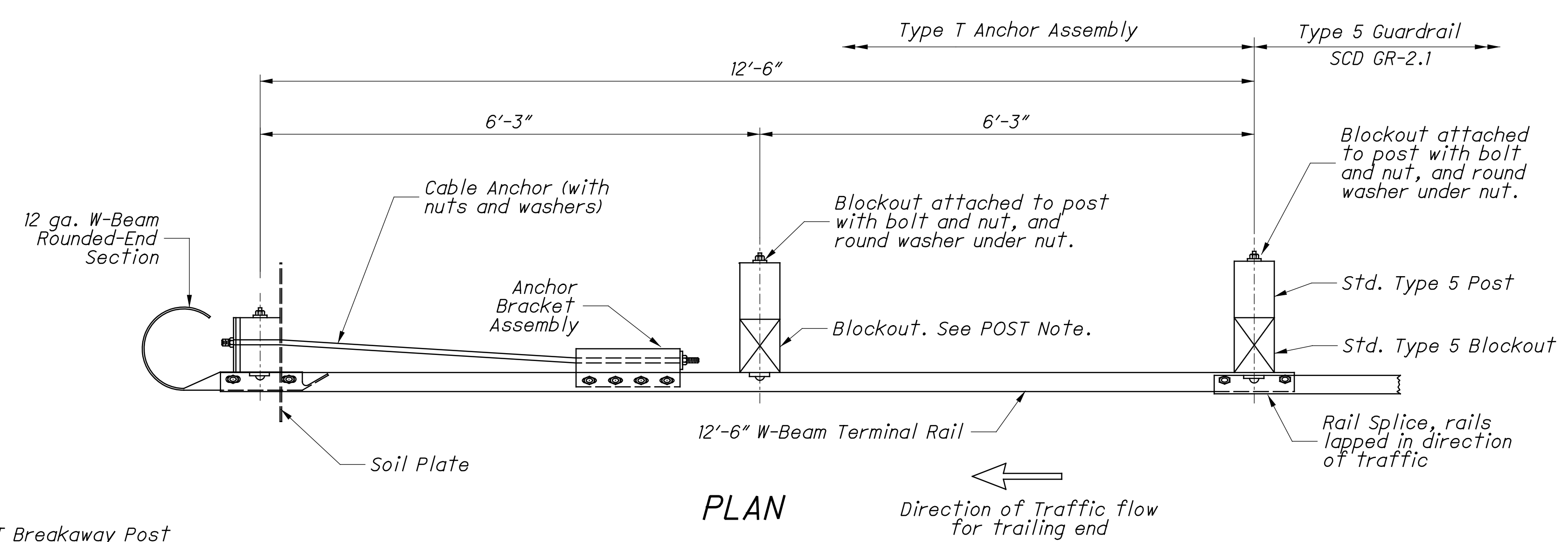
Concrete shall be class C.

Components on this anchor that are not detailed on SCD GR-1.1 include: 1) 12'-6" W-Beam Terminal Rail (standard part RWM14a), and 2) W-Beam Rounded End Section (RWE03a). For complete details and specifications, see part descriptions in the AASHTO/AGC/ARTBA Standardized Hardware Guide.

POSTS: Post No. 1 may be an 8'-0" long Steel Ground Tube without a Soil Plate in lieu of the 5'-0" tube with Soil Plate.

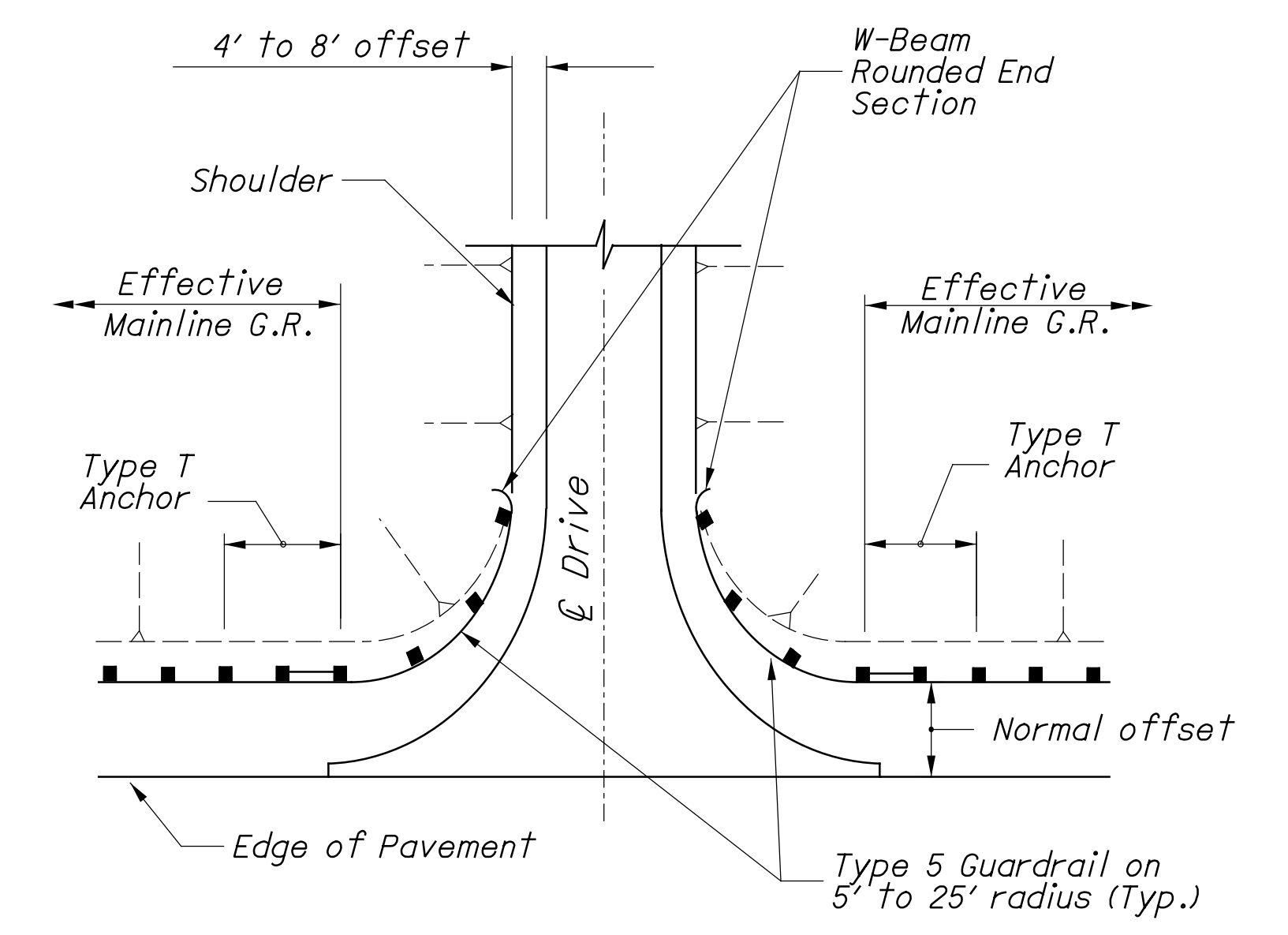
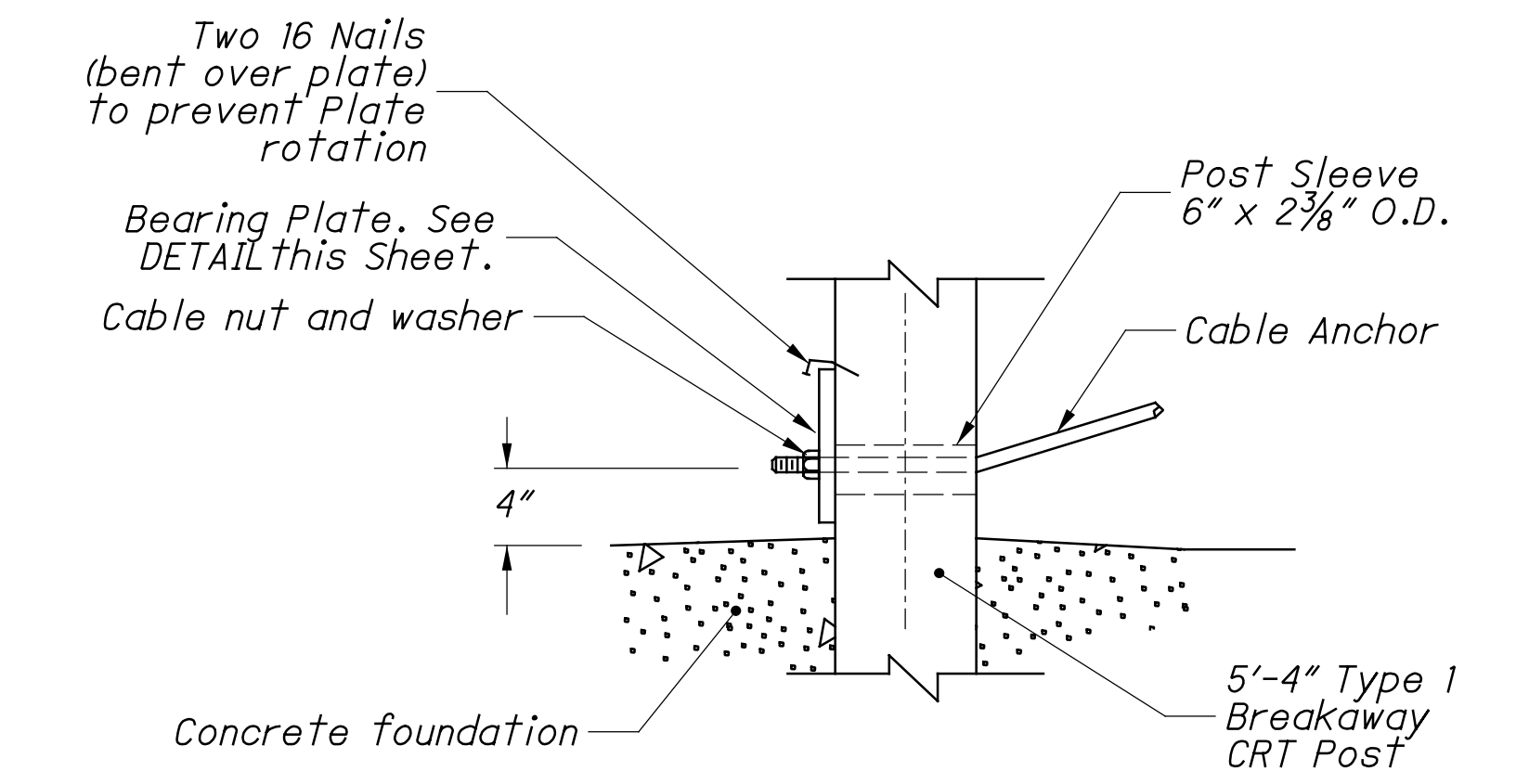
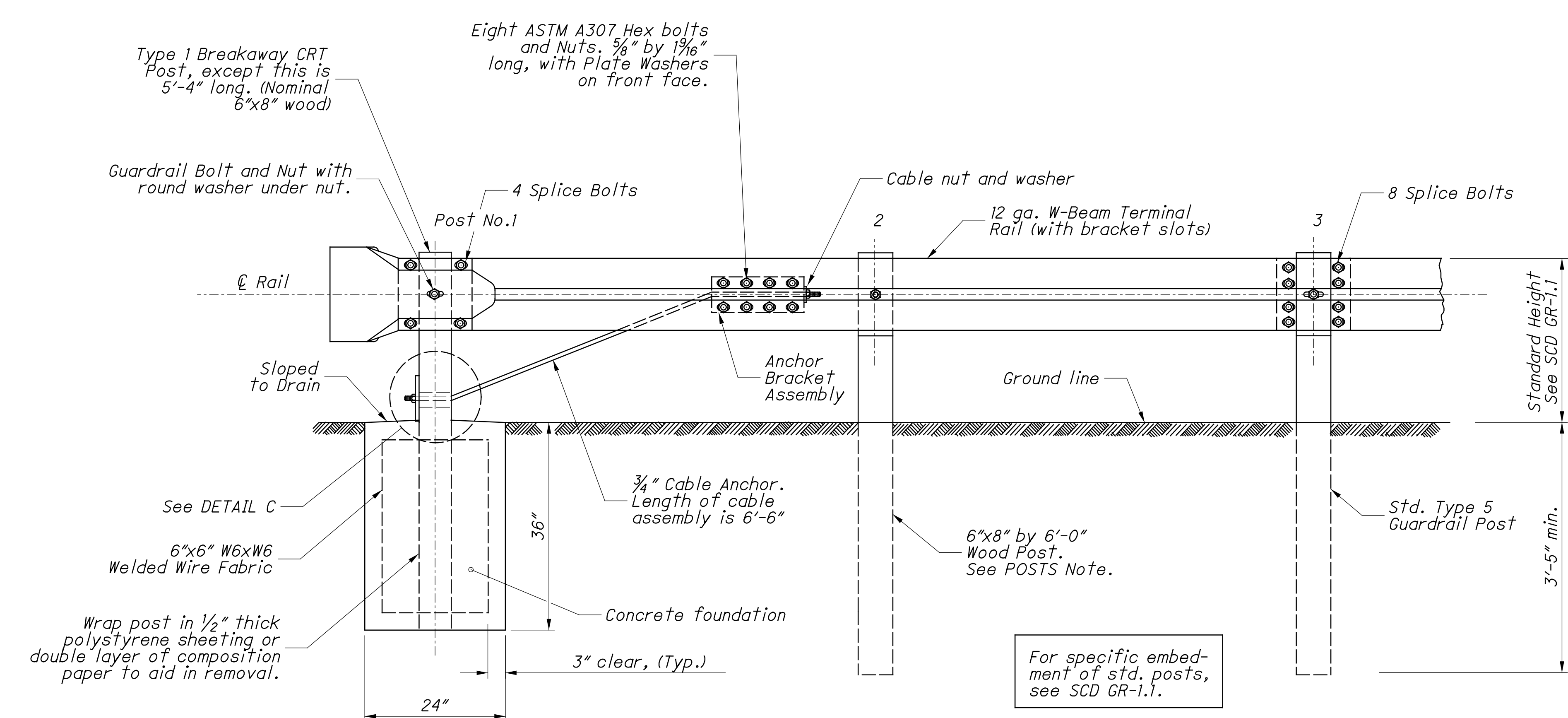
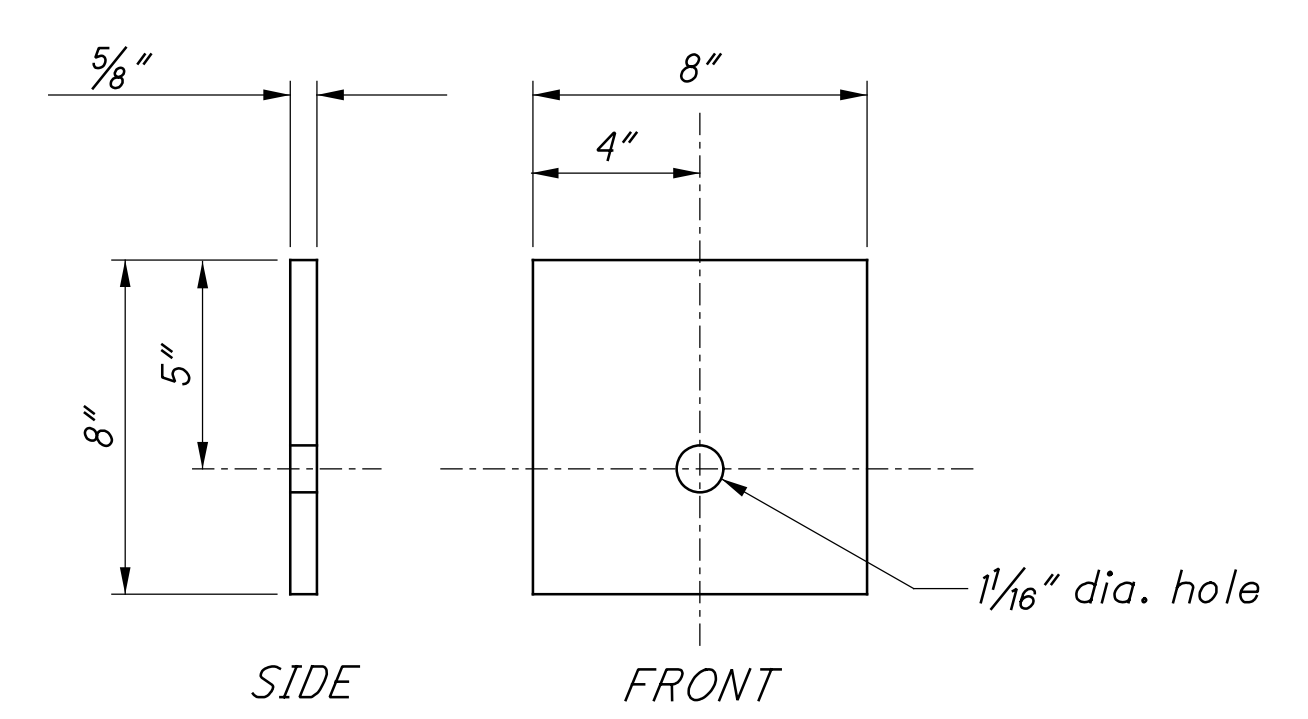
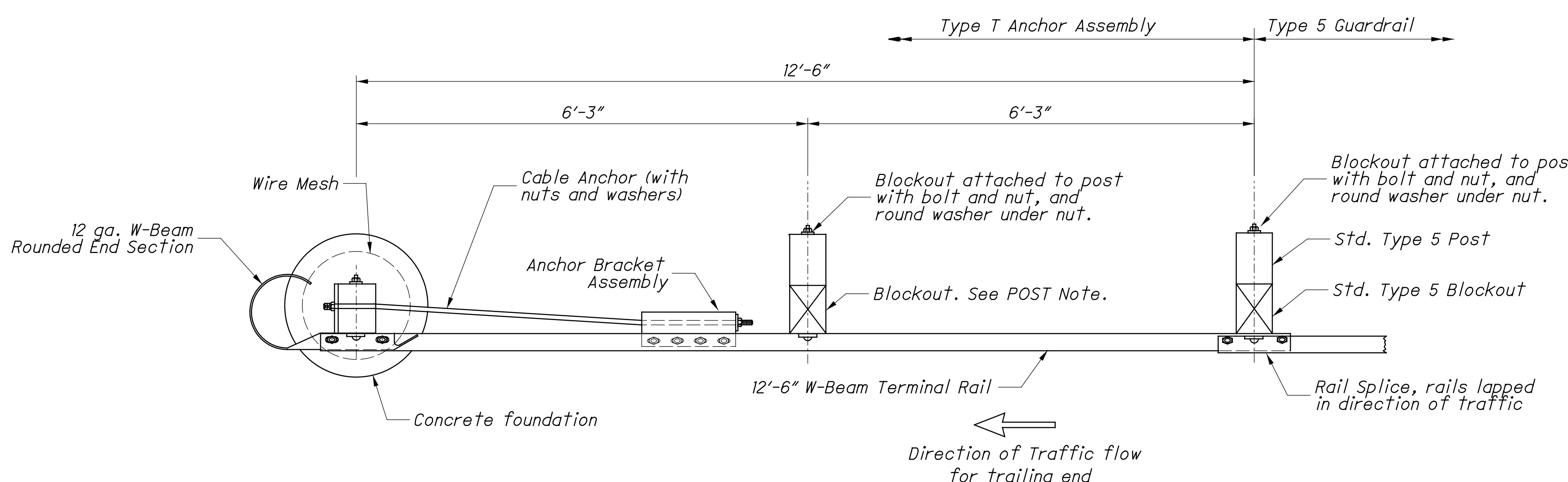
Post No. 2 can be W6x9 (or W6x8.5) with notched wood blockouts or a standard Type 5 post and blockout. Recycled plastic blockouts are permitted.

PAYMENT: All labor and materials, including the W-Beam Rounded End Section and the W-Beam Terminal Rail for the 12'-6" anchor assembly shall be included in the unit price bid for Item 606 - Anchor Assembly, Type T, Each.



O:\ODOT\WAR\Socialville-Fosters Road Bridge_CR32_5.14\Design\Roadway\Sheets\PIS_GR-4.2_1-18-2013.dgn Sheet 1 11/16/2018 2:27:18 PM chris-s

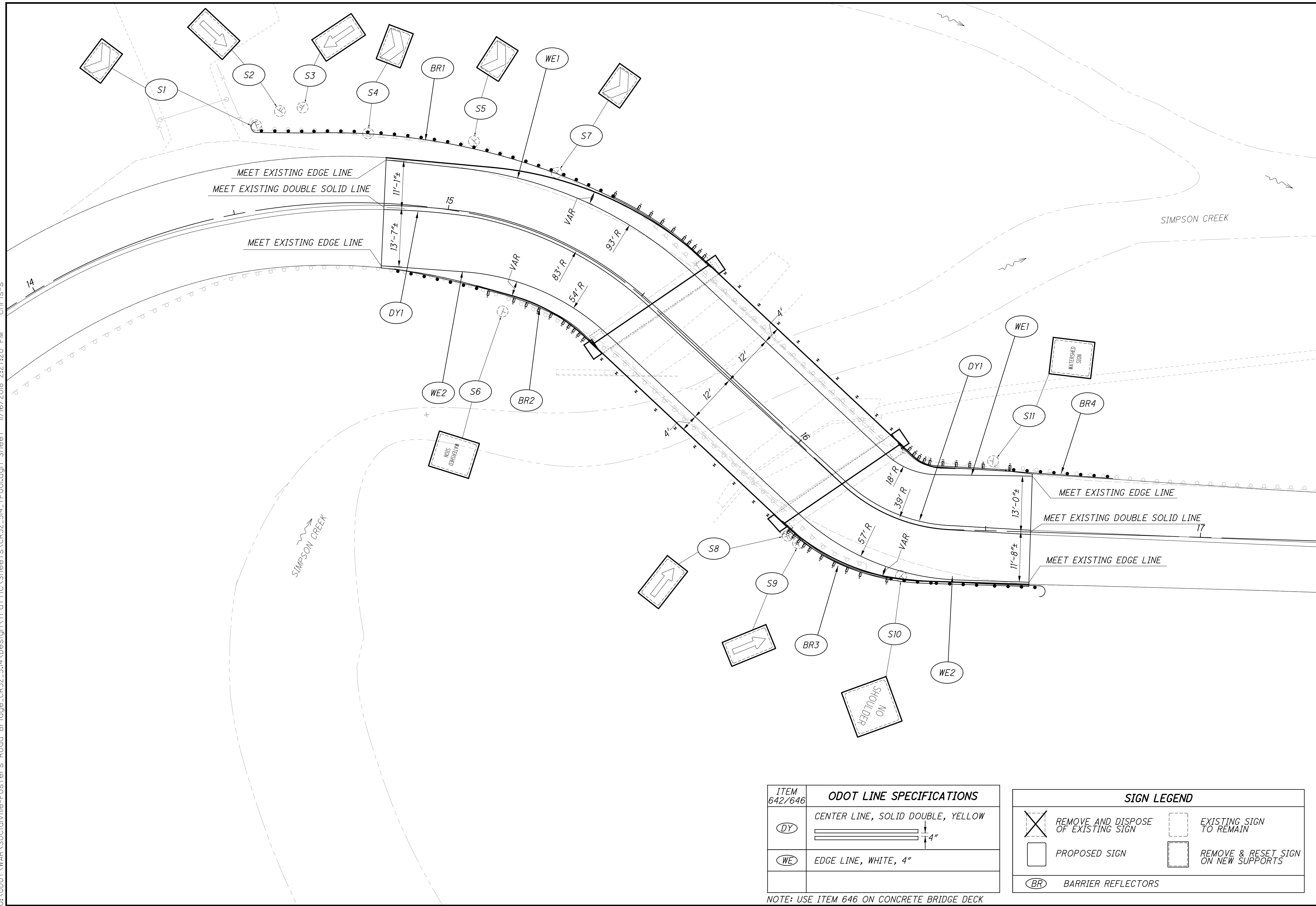
O:\ODOT\WAR\Socialville-Fosters Road Bridge_CR32_5.14\Design\Roadway\Sheets\PIS_GR-4.2-1-18-2013.dgn Sheet 2 11/16/2018 2:27:19 PM chris-s

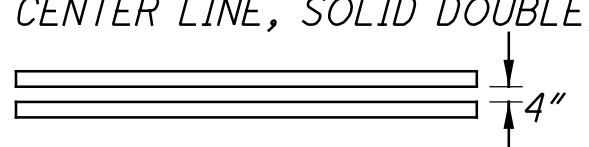


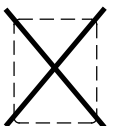
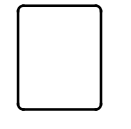


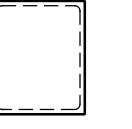
See SCD GR-1.1 for Type 1 Breakaway CRT Post, Steel Ground Tube, Post Sleeve, Cable Anchor and Bracket Assembly details.

SHEET NO.	REFERENCE NO.	STATION		LOCATION/ DESCRIPTION	LENGTH	630		642		646		626
		FROM	TO			REMOVAL OF GROUND MOUNTED SIGN AND REERECTION	GROUND MOUNTED SUPPORT, NO. 3 POST	CENTER LINE, SOLID DOUBLE, 4"	EDGE LINE, WHITE, 4"	CENTER LINE, SOLID DOUBLE, 4"	EDGE LINE, WHITE, 4"	BARRIER REFLECTOR, TYPE 2, BIDIRECTIONAL
						EA	FT	MILE	MILE	MILE	MILE	EA
26	S1	14+58.00		LT		1	8.0					
26	S2	14+63.00		LT		1	12.2 12.0					
26	S3	14+68.00		LT		1	12.2 12.0					
26	S4	14+81.00		LT		1	9.3					
26	S5	15+03.00		LT		1	10.0					
26	S6	15+20.00		RT		1	10.9					
26	S7	15+21.00		LT		1	10.0					
26	S8	16+13.00		RT		1	12.9 13.5					
26	S9	16+15.00		RT		1	12.9 13.5					
26	S10	16+33.00		RT		1	12.1					
26	S11	16+51.00		LT		1	12.4					
26	DY1	14+85.00	16+60.46		175			0.02		0.01		
26	WE1	14+85.00	16+60.46	LT	175				0.02		0.01	
26	WE2	14+85.00	16+60.46	RT	175				0.02		0.01	
26	BR1	14+58.05	15+58.05	LT	100							3
26	BR2	14+88.24	15+50.74	RT	63							3
26	BR3	16+08.74	16+71.24	RT	63							3
26	BR4	16+13.05	16+60.46	LT	47							2
TOTALS CARRIED TO GENERAL SUMMARY						11	174	0.02	0.04	0.01	0.02	11

O:\ODOT\WAR\Socialville-Fosters Road_Bridge_CR32-5.14\Design\Traffic\Sheets\CR32-5.14_TPO01.dgn Sheet 11/16/2018 2:27:20 PM chris-s


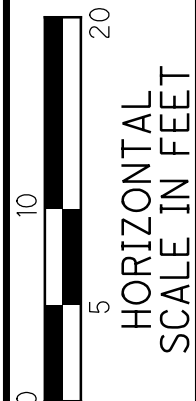


ITEM	ODOT LINE SPECIFICATIONS
642/646	
(DY)	CENTER LINE, SOLID DOUBLE, YELLOW 
(WE)	EDGE LINE, WHITE, 4"

SIGN LEGEND	
	REMOVE AND DISPOSE OF EXISTING SIGN
	PROPOSED SIGN
	BARRIER REFLECTORS
	EXISTING SIGN TO REMAIN
	REMOVE & RESET SIGN ON NEW SUPPORTS

NOTE: USE ITEM 646 ON CONCRETE BRIDGE DECK

CALCULATED
CCS
CHECKED
DPF

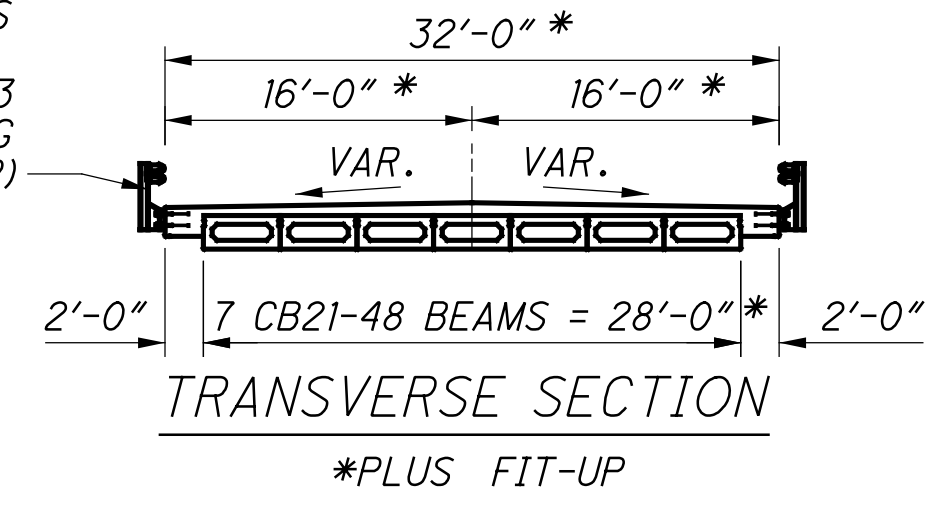
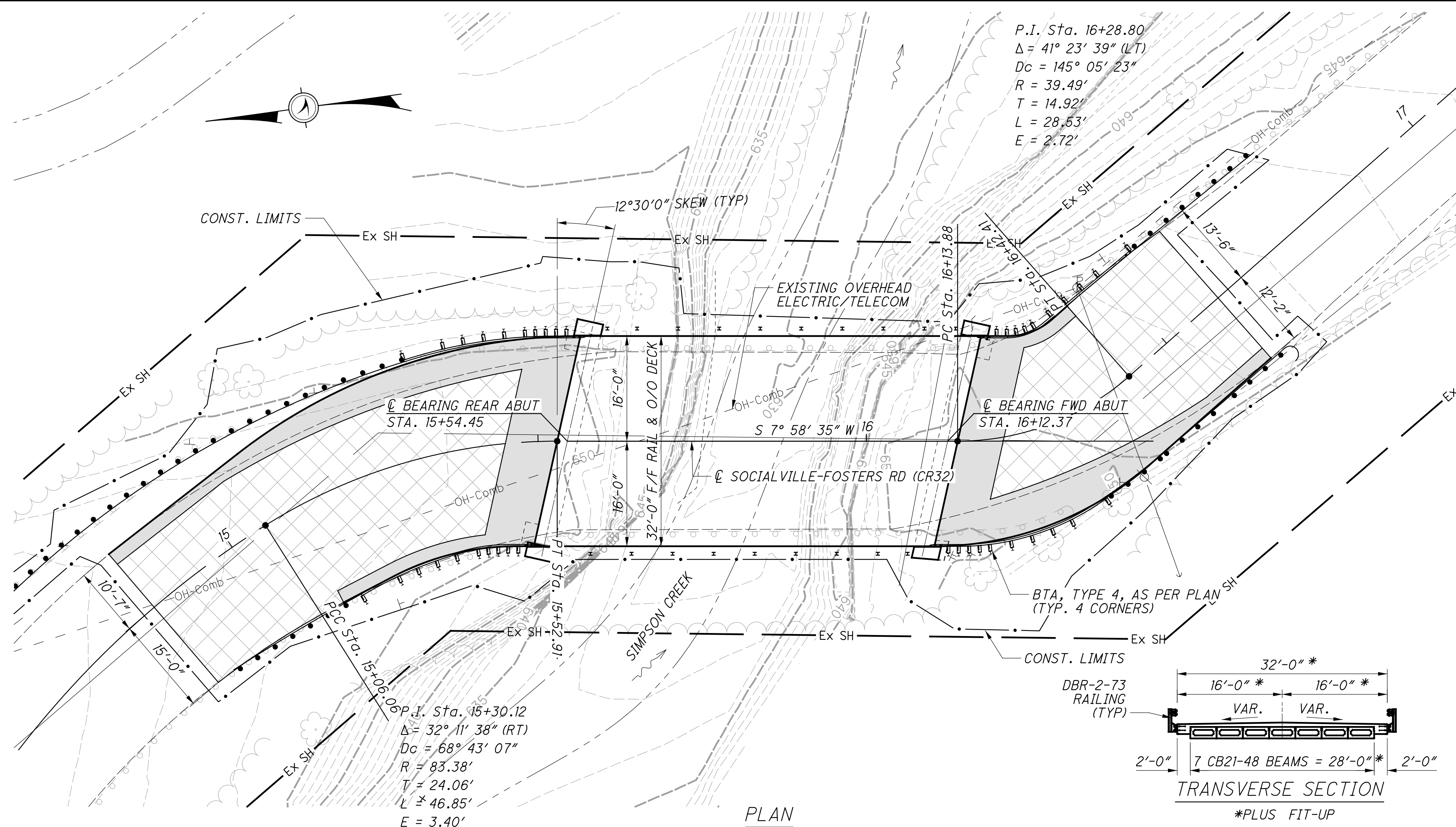



HORIZONTAL SCALE IN FEET

TRAFFIC CONTROL PLAN
STA 14+00 TO STA 17+00

WAR-CR32-5.14

O:\000T\WAR\Socialville-Fosters Road Bridge_CR32_5.14\Design\Structures\WAR032_5.14C_Sheets\032_514C_SP001.dgn Sheet 11/16/2018 2:27:21 PM chris-s



NOTES

EARTHWORK LIMITS SHOWN ARE APPROXIMATE. ACTUAL SLOPES SHALL CONFORM TO PLAN CROSS SECTIONS.

DESIGN TRAFFIC:
 2019 ADT = 7,100 2019 ADTT = 213
 2039 ADT = 8,500 2039 ADTT = 255
 DIRECTIONAL DISTRIBUTION = 0.60

LEGEND

- ▨ FEATHERING/RESURFACING:
- ▨ - 1/2" PAVEMENT PLANING
- ▨ - 1/2" ASPHALT SURFACE COURSE
- - FULL DEPTH PAVEMENT (2'-0" MIN. WIDTH)

EXISTING STRUCTURE

TYPE: ADJACENT PRESTRESSED CONCRETE BOX BEAMS ON CONCRETE CAPPED PILE ABUTMENTS

SPANS: 57.89'

ROADWAY: 28'-0" FACE TO FACE RAIL

LOADING: HS20-44

SKEW: 12° 30' 00"

WEARING SURFACE: ASPHALT OVERLAY

APPROACH SLABS: NONE

ALIGNMENT: TANGENT

CROWN: SUPERELEVATION VARIES

STRUCTURAL FILE NUMBER: 8335192

DATE BUILT: 1990

DISPOSITION: SUPERSTRUCTURE TO BE REPLACED

PROPOSED STRUCTURE

TYPE: PRESTRESSED CONCRETE ADJACENT BOX BEAMS WITH COMPOSITE CAST-IN-PLACE CONCRETE DECK ON MODIFIED CONCRETE CAPPED PILE ABUTMENTS

SPAN: 57'-11"

ROADWAY: 32'-0" FACE/FACE RAILING

LOADING: HL-93 AND 60 PSF FWS

SKEW: 12° 30' 00" LF

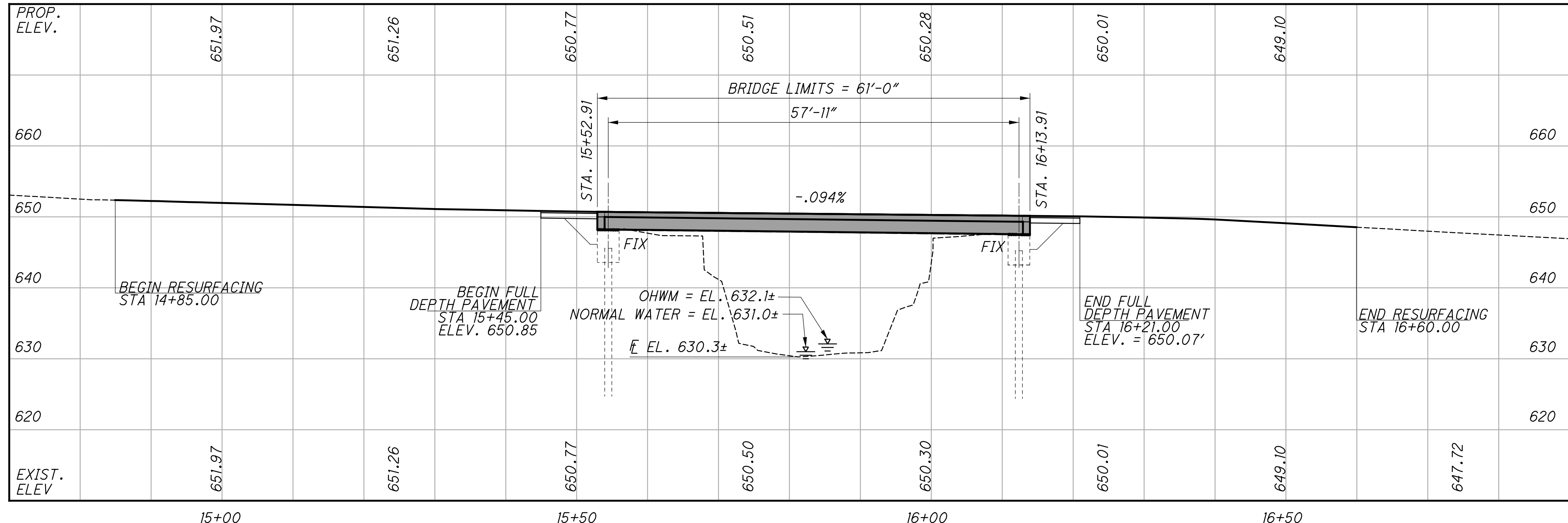
WEARING SURFACE: MONOLITHIC CONCRETE

APPROACH SLABS: NONE

ALIGNMENT: TANGENT

CROWN: SUPERELEVATION VARIES

COORDINATES: LATITUDE 39° 19' 27.32"
 LONGITUDE 84° 15' 30.88"



PROFILE ALONG SOCIALVILLE-FOSTERS RD

DESIGN AGENCY: PALMER ENGINEERING
 DATE: 1/22/2018
 REVIEWED: BUJ
 DRAWN: SDW
 DESIGNED: MUS
 CHECKED: CEJ
 WARREN COUNTY
 STA. 15+52.91
 STA. 16+13.91
 SOCIALVILLE-FOSTERS RD (CR32) OVER SIMPSON CREEK
 SITE PLAN
 BRIDGE NO. WAR-CR32-0514
 WAR-CR32-5.14
 PID No. NONE
 1/11
 27/37

O:\ODOT\WAR\Socialville-Fosters Road Bridge_CR32_5.14\Design\Structures\WAR032_514C_Sheets\032_514C_SIN001.dgn Sheet 11/16/2018 2:27:22 PM chr1s-s

REFER TO THE FOLLOWING STANDARD BRIDGE DRAWINGS:

DBR-2-73	REVISED	07-19-02
PSBD-2-07	REVISED	07-20-18
DS-1-92	REVISED	07-18-03

OPERATIONAL IMPORTANCE:

A LOAD MODIFIER OF 1 HAS BEEN ASSUMED FOR THE DESIGN OF THIS STRUCTURE IN ACCORDANCE WITH AASHTO LRFD BRIDGE DESIGN SPECIFICATIONS ARTICLE 1.3.5 AND THE ODOT BRIDGE DESIGN MANUAL, 2007.

DESIGN SPECIFICATIONS:

THIS STRUCTURE CONFORMS TO THE "LRFD BRIDGE DESIGN SPECIFICATIONS" ADOPTED BY THE AMERICAN ASSOCIATION OF STATE HIGHWAY AND TRANSPORTATION OFFICIALS, 8TH EDITION, AND THE ODOT BRIDGE DESIGN MANUAL, 2007.

DESIGN LOADING:

HL-93 AND FUTURE WEARING SURFACE (FWS) OF 60 PSF

DESIGN DATA:

CONCRETE CLASS QC2 - COMPRESSIVE STRENGTH 4500 PSI (SUPERSTRUCTURE)

CONCRETE CLASS QC1 - COMPRESSIVE STRENGTH 4000 PSI (SUBSTRUCTURE)

REINFORCING STEEL - MINIMUM YIELD STRENGTH 60,000 PSI CONCRETE FOR PRESTRESSED BEAMS:

COMPRESSIVE STRENGTH (FINAL) = 7000 PSI

COMPRESSIVE STRENGTH (RELEASE) = 7000 PSI

PRESTRESSING STRAND

AREA = 0.167 sq in

ULTIMATE STRENGTH = 270 KSI

INITIAL STRESS = 202.5 KSI (LOW RELAXATION STRAND)

DECK PROTECTION METHOD:

EPOXY COATED REINFORCING STEEL

2 1/2" CONCRETE COVER

STEEL DRIP STRIP

SRS TREATMENT

SEALING OF CONCRETE SURFACES

MONOLITHIC WEARING SURFACE:

MONOLITHIC WEARING SURFACE IS ASSUMED, FOR DESIGN PURPOSES, TO BE 1" THICK

ITEM 202, PORTIONS OF STRUCTURE REMOVED, OVER 20 FOOT SPAN, AS PER PLAN:

AFTER THE SUPERSTRUCTURE REMOVAL, REMOVE EXISTING BEAM ANCHOR DOWELS FROM ABUTMENT SEATS BY CORING THE CONCRETE AROUND THE DOWELS. REMOVE EXISTING ABUTMENT WINGWALLS AND BACKWALLS, IF PRESENT, DOWN TO THE EXISTING BEAM SEAT ELEVATIONS. REMOVE CONCRETE BY MEANS OF APPROVED PNEUMATIC HAMMERS EMPLOYING POINTED AND BLUNT CHISEL TOOLS. HYDRAULIC HOE-RAM TYPE HAMMERS WILL NOT BE PERMITTED. THE WEIGHT OF THE HAMMER SHALL NOT BE MORE THAN 35 POUNDS. DO NOT PLACE PNEUMATIC HAMMERS IN DIRECT CONTACT WITH REINFORCING STEEL THAT IS TO BE RETAINED IN THE REBUILT STRUCTURE. SAW CUT BOUNDARIES OF PROPOSED CONCRETE REMOVALS 1 INCH DEEP. REMOVE CONCRETE TO A ROUGH SURFACE.

CONSTRUCTION JOINT PREPARATION

INSTALL DOWEL BARS, AS SPECIFIED. PRIOR TO CONCRETE PLACEMENT ABRASIVELY CLEAN JOINT SURFACES AND EXISTING EXPOSED REINFORCEMENT TO REMOVE LOOSE AND DISINTEGRATED CONCRETE AND LOOSE RUST. THOROUGHLY CLEAN THE JOINT SURFACE AND EXPOSED REINFORCEMENT OF ALL DIRT, DUST, RUST OR OTHER FOREIGN MATERIAL BY THE USE OF WATER, AIR UNDER PRESSURE, OR OTHER METHODS THAT PRODUCE SATISFACTORY RESULTS. THOROUGHLY DRENCH EXISTING CONCRETE SURFACES WITH CLEAN WATER AND ALLOW TO DRY TO A DAMP CONDITION BEFORE PLACING CONCRETE.

EXISTING STRUCTURE VERIFICATION

DETAILS AND DIMENSIONS SHOWN ON THESE PLANS PERTAINING TO THE EXISTING STRUCTURE HAVE BEEN OBTAINED FROM PLANS OF THE EXISTING STRUCTURE AND FROM FIELD OBSERVATIONS AND MEASUREMENTS. CONSEQUENTLY, THEY ARE INDICATIVE OF THE EXISTING STRUCTURE AND THE PROPOSED WORK BUT THEY SHALL BE CONSIDERED TENTATIVE AND APPROXIMATE. THE CONTRACTOR IS REFERRED TO CMS SECTIONS 102.05, 105.02 AND 513.04. BASE CONTRACT BID PRICES ON A RECOGNITION OF THE UNCERTAINTIES DESCRIBED ABOVE AND UPON A PRE-BID EXAMINATION OF THE EXISTING STRUCTURE.

BEARING PAD SHIMS:

PLACE 1/8" THICK PREFORMED BEARING PAD SHIMS, PLAN AREA 8" X 12", UNDER THE ELASTOMERIC BEARING PADS WHERE REQUIRED FOR PROPER BEARING. FURNISH TWO SHIMS PER BEAM. THE DEPARTMENT WILL MEASURE THIS ITEM BY THE TOTAL NUMBER SUPPLIED. THE DEPARTMENT WILL PAY FOR ACCEPTED QUANTITIES AT THE CONTRACT PRICE FOR ITEM 516 - 1/8" PREFORMED BEARING PADS. ANY UNUSED SHIMS WILL BECOME THE PROPERTY OF THE WARREN COUNTY ENGINEER.

DECK PLACEMENT DESIGN ASSUMPTIONS

THE FOLLOWING ASSUMPTIONS OF CONSTRUCTION MEANS AND METHODS WERE MADE FOR THE ANALYSIS AND DESIGN OF THE SUPERSTRUCTURE. THE CONTRACTOR IS RESPONSIBLE FOR THE DESIGN OF THE SUPERSTRUCTURE. THE CONTRACTOR IS RESPONSIBLE FOR THE DESIGN OF THE FALSEWORK SUPPORT SYSTEM WITHIN THESE PARAMETERS AND WILL ASSUME RESPONSIBILITY FOR SUPERSTRUCTURES ANALYSIS FOR DEVIATION FROM THESE DESIGN ASSUMPTIONS.

AN EIGHT WHEEL FINISHING MACHINE WITH A MAXIMUM WHEEL LOAD OF 2.236 KIPS.

A MINIMUM OUT-TO-OUT WHEEL SPACING AT EACH END OF THE MACHINE OF 103 INCHES.

A MAXIMUM SPACING OF OVERHANG FALSEWORK BRACKETS OF 48 INCHES.

A MAXIMUM DISTANCE FROM THE CENTERLINE OF THE FASCIA GIRDER TO THE FACE OF THE SAFETY HANDRAIL OF 71 INCHES.



DESIGN AGENCY
PALMER ENGINEERING
8350 EAST KEMPER RD., SUITE B
CINCINNATI, OH 45244-1100
TEL: 513-752-1100
FAX: 513-752-1100

DATE
1/22/2018
REVIEWED
BUJ
STRUCTURE FILE NUMBER
8335192

DRAWN
SDW
REVISIONS
DESIGNED
MJS
CHECKED
CEJ

GENERAL NOTES
BRIDGE NO. WAR-CR32-0514
SOCIALVILLE-FOSTERS RD (CR32) OVER SIMPSON CREEK

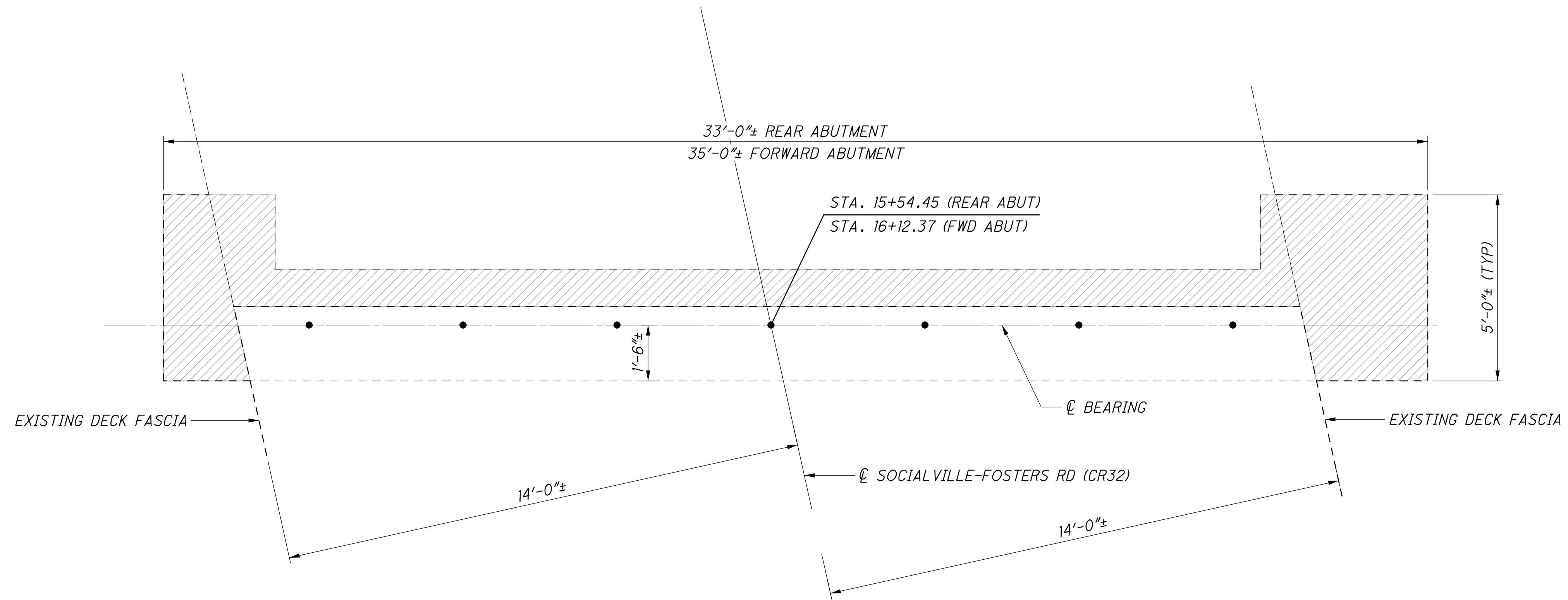
WAR - CR32 - 5.14
PID No. NONE

2 / 11

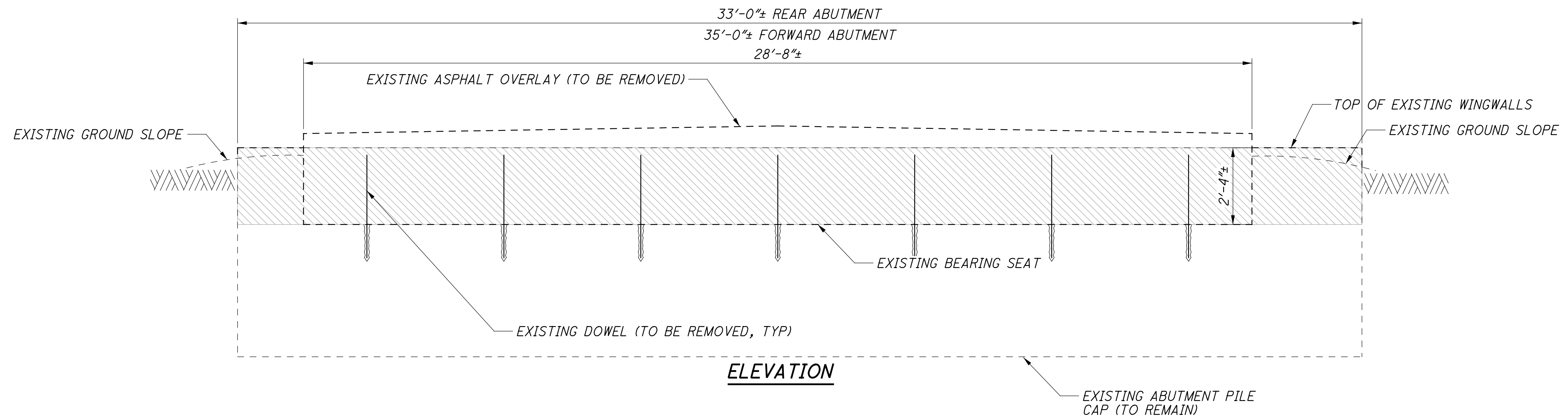
28
37

ESTIMATED QUANTITIES							
ITEM	ITEM EXT.	TOTAL	UNIT	DESCRIPTION	ABUT.	SUPER	GENERAL SHEET
202		LS		PORTIONS OF STRUCTURE REMOVED, OVER 20 FOOT SPAN, AS PER PLAN			2/10
202		190	SY	WEARING COURSE REMOVED			190
304		29	CY	AGGREGATE BASE			29
503		LS		UNCLASSIFIED EXCAVATION			
509		8648	LB	EPOXY COATED REINFORCING STEEL	453	8195	
509		200	LB	REINFORCING STEEL, REPLACEMENT OF EXISTING REFORCING STEEL	200		
510		45	EACH	DOWEL HOLES WITH NONSHRINK, NONMETALLIC GROUT	45		
511		65	CY	CLASS QC2 CONCRETE, SUPERSTRUCTURE		65	
511		6	CY	CLASS QC1 CONCRETE, ABUTMENT	6		
512		92	SY	SEALING OF CONCRETE SURFACES (EPOXY-URETHANE)	22	70	
512		207	SY	TREATING OF CONCRETE BRIDGE DECK WITH SRS		207	
515		7	EACH	PRESTRESSED CONCRETE COMPOSITE BOX BEAM BRIDGE MEMBERS, LEVEL 1, CB21-48, 59' LONG		7	
516		66	FT	PREFORMED ELASTOMERIC COMPRESSION JOINT SEAL			66
516		34	SF	1" PREFORMED EXPANSION JOINT FILLER		34	
516		72	FT	INTEGRAL ABUTMENT EXPANSION JOINT SEAL	72		
516		14	EACH	1/8" PREFORMED BEARING PAD		14	
516		28	EACH	ELASTOMERIC BEARING WITH INTERNAL LAMINATES ONLY (NEOPRENE), 9" X 12" X 3.0"		28	
517		126	FT	RAILING (DEEP BEAM RAIL WITH STEEL TUBULAR BACKUP AND TYPE 2 STEEL POSTS AND ANCHOR BOLTS)		126	
518		146	FT	STEEL DRIP STRIP		146	

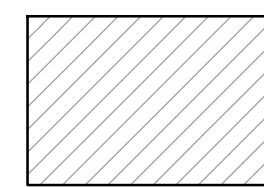
O:\000T\WAR\Socialville-Fosters Road Bridge_CR32_5.14\Design\Structures\WAR032_514C_Sheets\R032_514C_SY001.dgn Sheet 11/16/2018 2:21:24 PM chris-s



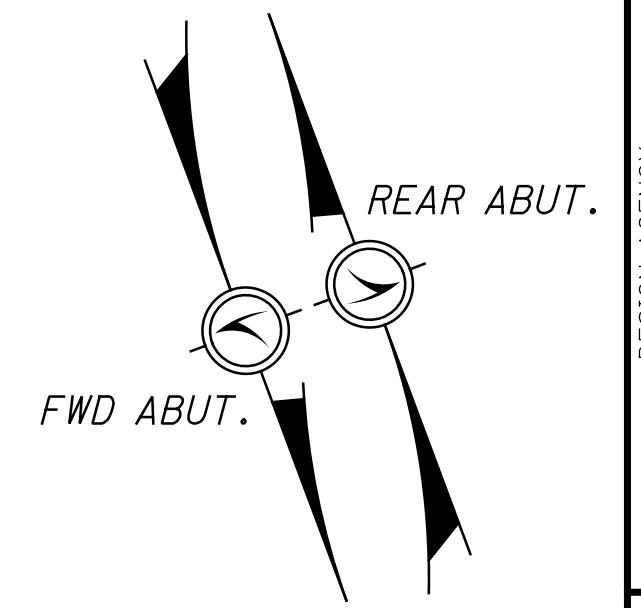
PLAN



ELEVATION



PORTIONS OF ABUTMENT TO BE REMOVED



DESIGN AGENCY
Palmer Engineering
 650 EAST KEMPER RD. - SUITE 600
 CINCINNATI, OH 45249
 CINCINNATI • DAYTON • MALLARD • BEAVERDALE

DATE 1/22/2018
 REVIEWED BUJ
 STRUCTURE FILE NUMBER 8335192

DRAWN SDW
 CHECKED CEJ

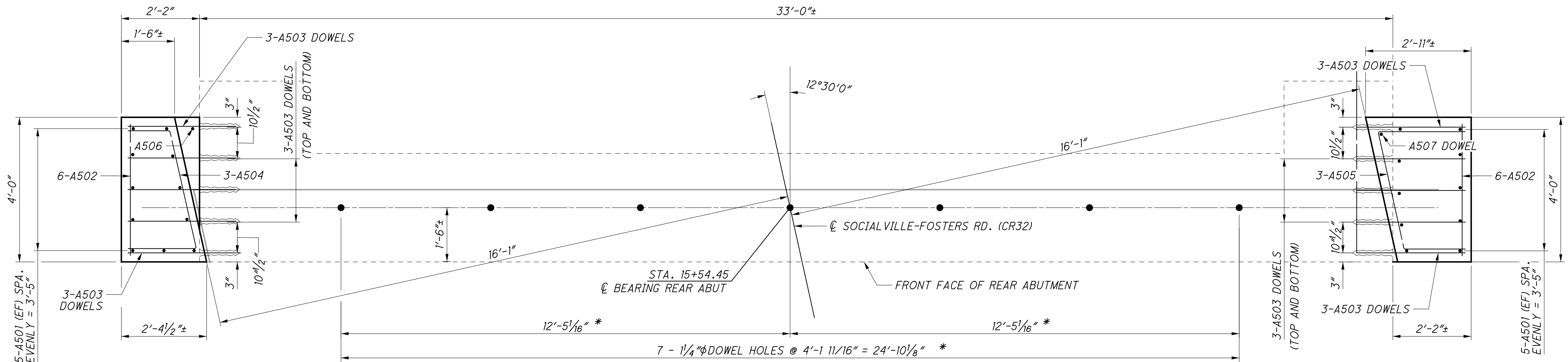
REMOVAL DETAILS
 BRIDGE NO. WAR-CR32-0514
 SOCIALVILLE-FOSTERS RD (CR32) OVER SIMPSON CREEK

WAR-CR32-5.14
 PID No. NONE

4 / 11

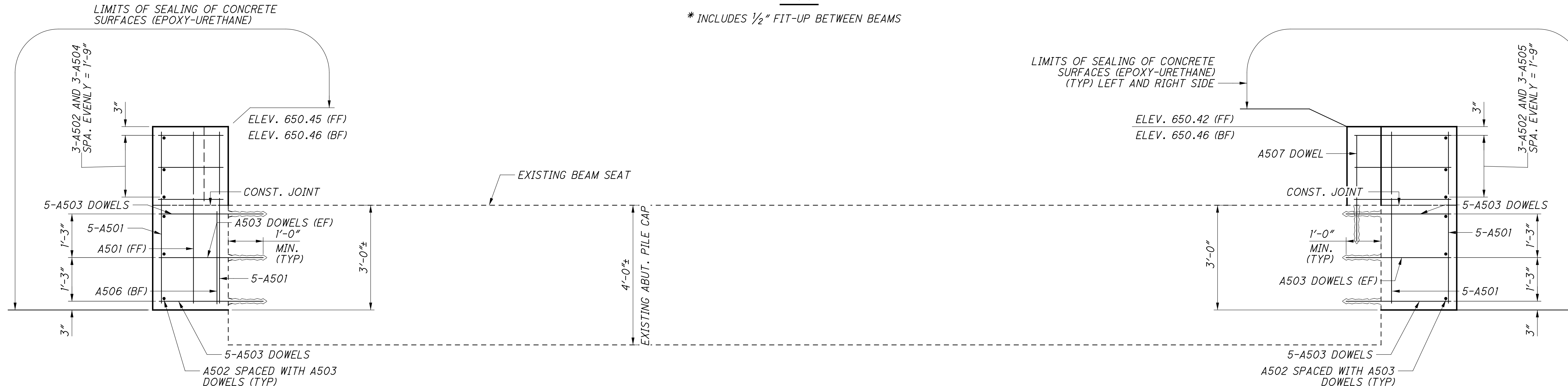
30
 37

O:\000T\WAR\Socialville-Fosters Road Bridge_CR32-5.14\Design\Structures\WAR032-5.14C_Sheets\032_514C_SF001.dgn Sheet 11/16/2018 2:21:25 PM chr:is-s



PLAN

* INCLUDES 1/2" FIT-UP BETWEEN BEAMS



ELEVATION

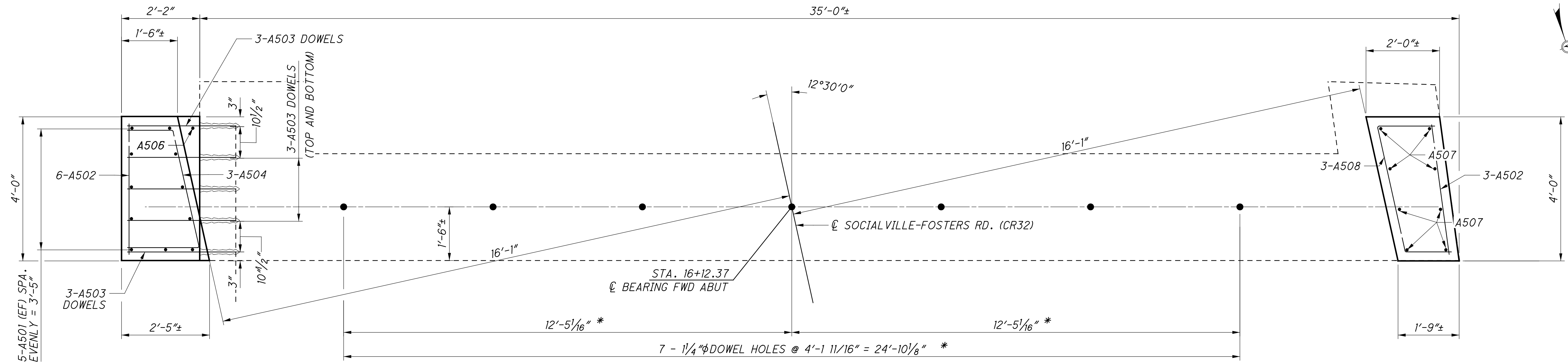
NOTES

- 1) DO NOT PLACE THE ABUTMENT CONCRETE ABOVE THE BEAM SEAT CONSTRUCTION JOINT UNTIL THE PRESTRESSED CONCRETE BOX BEAMS HAVE BEEN ERECTED.
- 2) SEE SHEET **8/11** FOR ABUTMENT SECTION.

LEGEND
 EF = EACH FACE
 FF = FRONT FACE
 BF = BACK FACE

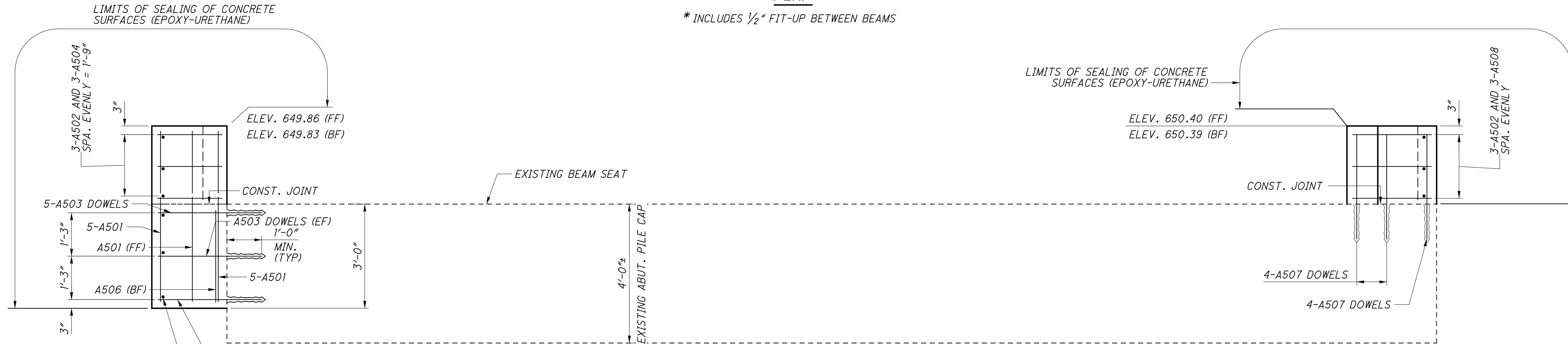
 PALMER ENGINEERING 850 E. POMPER RD. SUITE B CHESTER, MISSOURI 63017-1100 CINCINNATI • ARDOR • FALLASSEE • LINDSEY	DESIGN AGENCY DATE 1/22/2018	REVIEWED BJF	STRUCTURE FILE NUMBER 8535192	
DRAWN SDW	DESIGNED MUS	CHECKED CEJ	REVISIONS NONE	BRIDGE NO. WAR-CR32-0514 SOCIALVILLE-FOSTERS RD (CR32) OVER SIMPSON CREEK
WAR - CR32 - 5.14		PID No. NONE		5 / 11

O:\000T\WAR\Socialville-Fosters Road Bridge_CR32-5.14\Design\Structures\WAR032-5.14C_Sheets\WAR032-5.14C_SF001.dgn Sheet 11/16/2018 2:27:26 PM chris-s



PLAN

* INCLUDES 1/2" FIT-UP BETWEEN BEAMS



ELEVATION

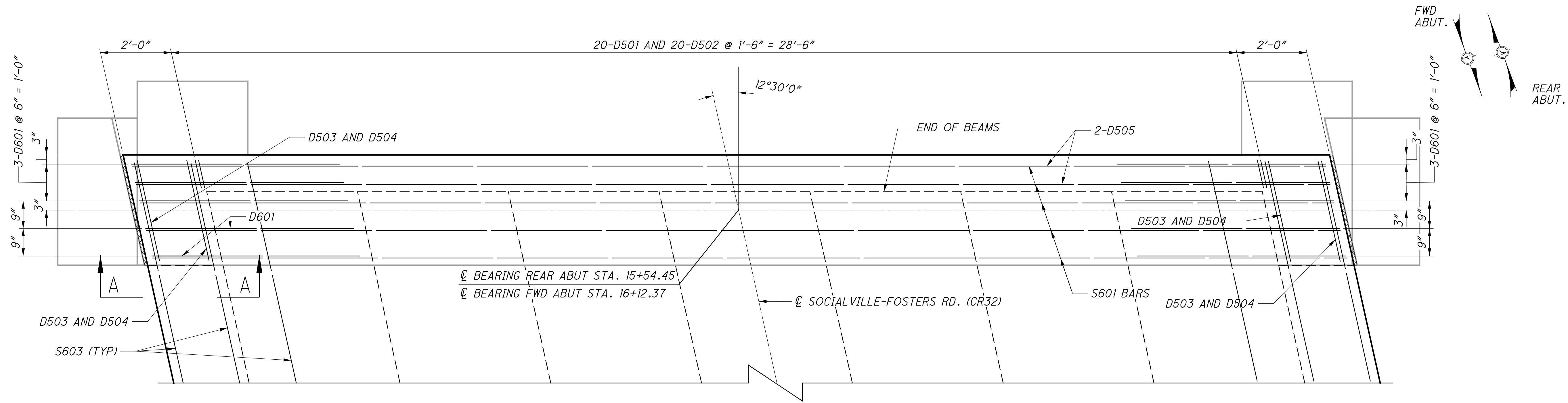
NOTES

- 1) DO NOT PLACE THE ABUTMENT CONCRETE ABOVE THE BEAM SEAT CONSTRUCTION JOINT UNTIL THE PRESTRESSED CONCRETE BOX BEAMS HAVE BEEN ERECTED.
- 2) SEE SHEET **8/11** FOR ABUTMENT SECTION.

LEGEND
 EF = EACH FACE
 FF = FRONT FACE
 BF = BACK FACE

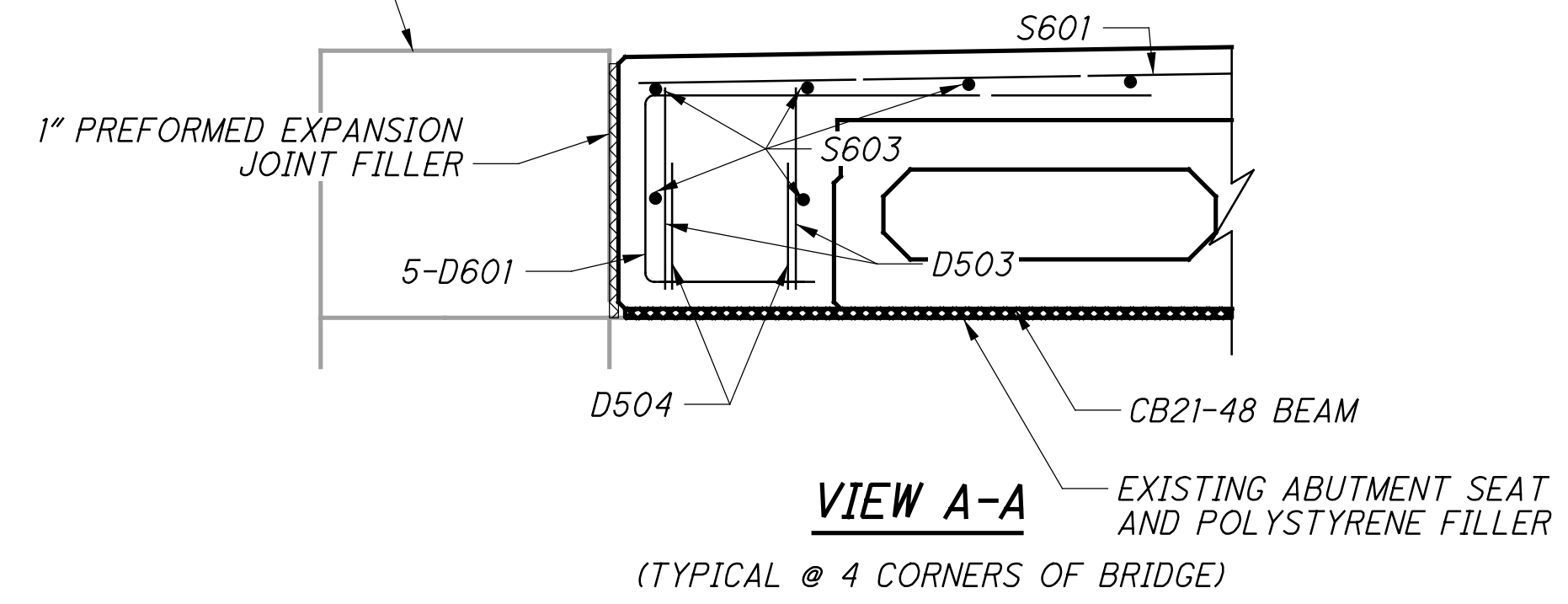
 PALMER ENGINEERING 850 E. HOPPER RD. SUITE B CHESTER, MISSOURI 63017 PH: 636-635-1100 FAX: 636-635-1100	DESIGN AGENCY PALMER ENGINEERING	DATE 1/22/2018	STRUCTURE FILE NUMBER 8535192
DRAWN SDW	REVISIONS REVISED	REVIEWED BUJ	DESIGNER MUS
CHECKED CEJ	DESIGNED MUS	DATE 1/22/2018	STRUCTURE FILE NUMBER 8535192
FORWARD ABUTMENT BRIDGE NO. WAR-CR32-0514 SOCIALVILLE-FOSTERS RD (CR32) OVER SIMPSON CREEK			
WAR-CR32-5.14		PID No. NONE	
6 / 11		32 / 37	

O:\000T\WAR\Socialville-Fosters Road Bridge_CR32_5.14\Design\Structures\WAR032_514C_S5002.dgn Sheet 11/16/2018 2:27:28 PM chris-s

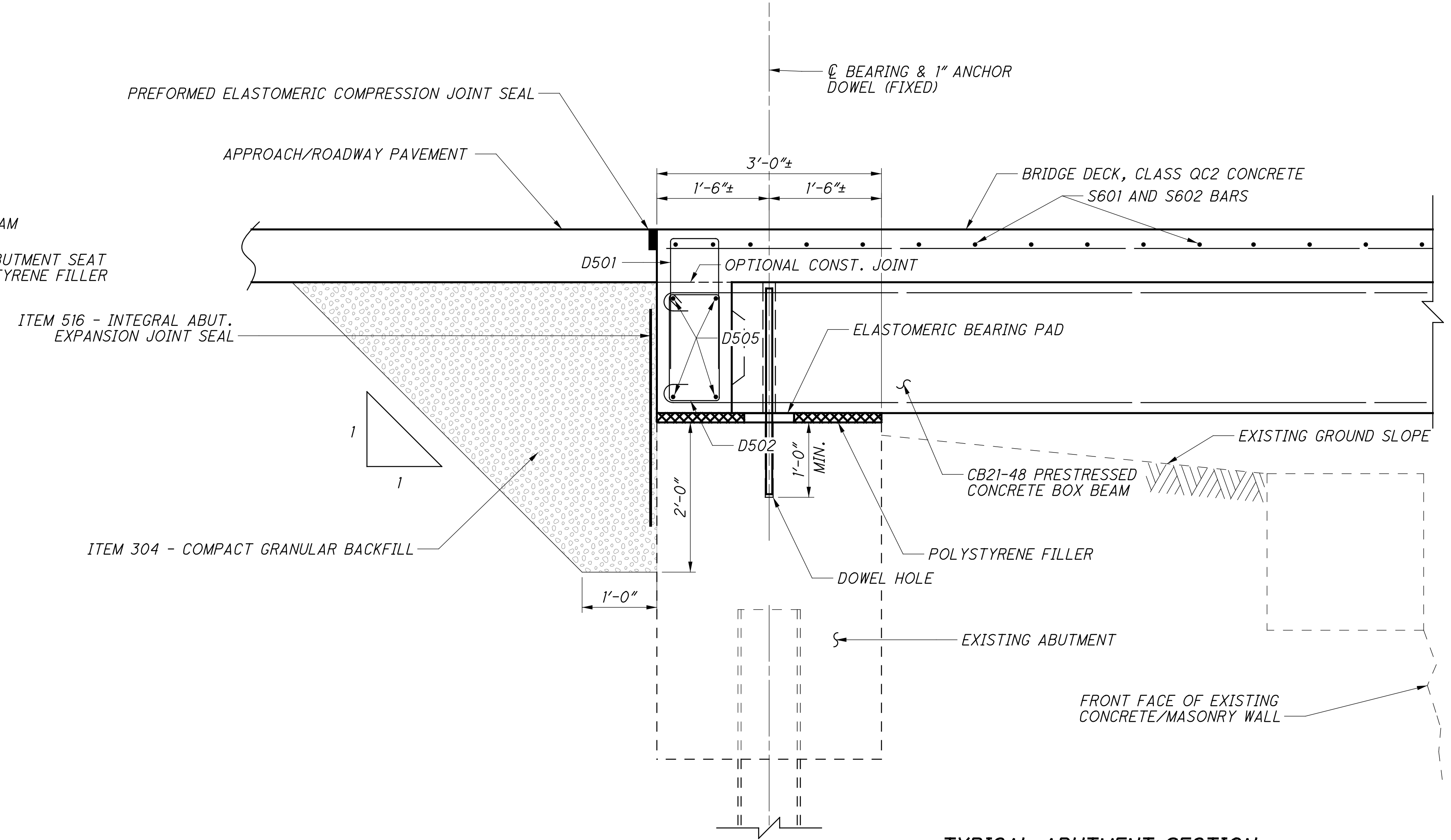


PLAN

SEE SHEETS **5/11** AND **6/11**
FOR WINGWALL DETAILS



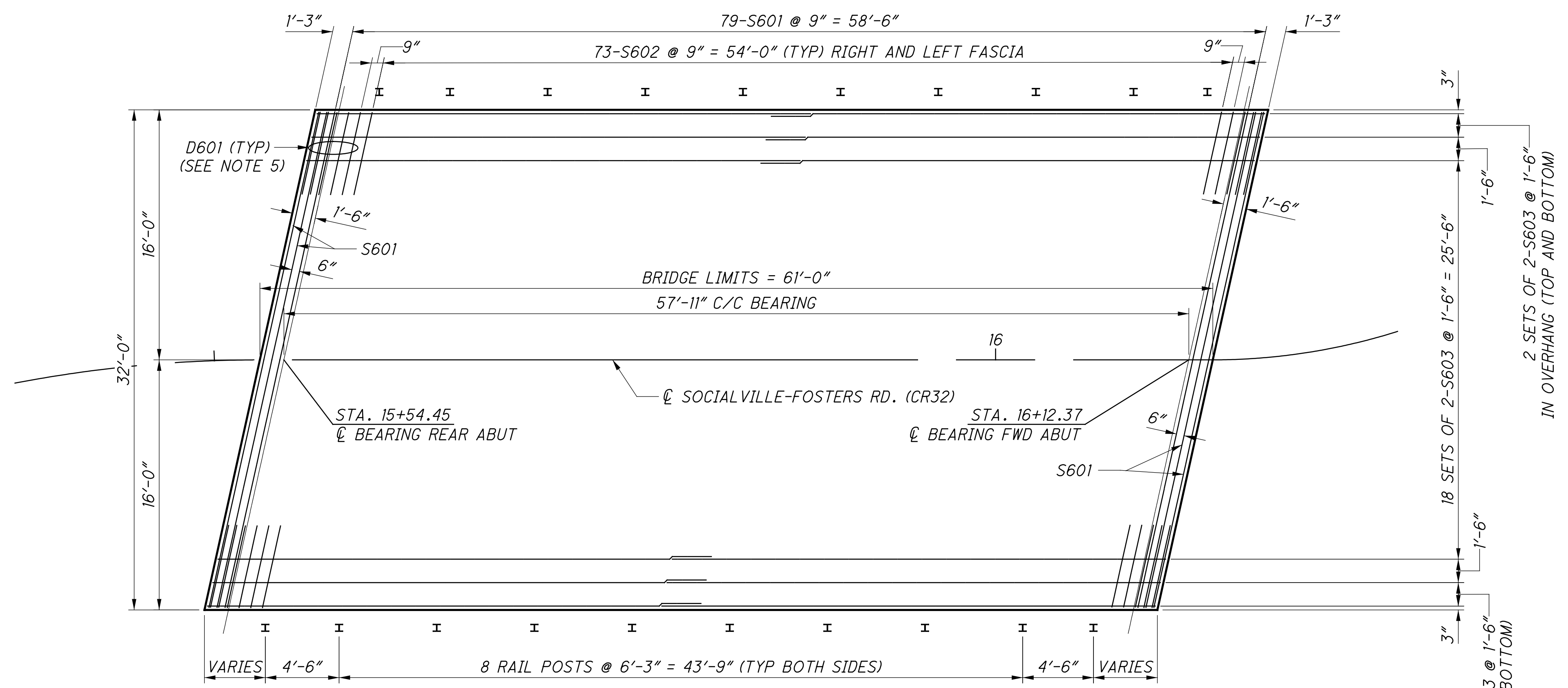
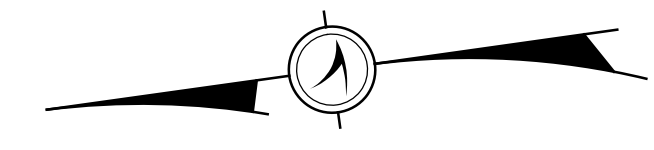
VIEW A-A



TYPICAL ABUTMENT SECTION

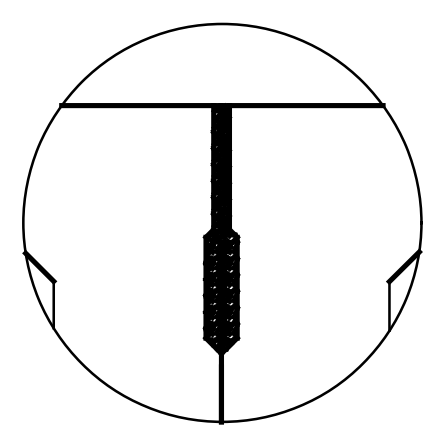
 PALMER ENGINEERING 850 E. POMPER RD. SUITE B CHESTER, OHIO 43001 CINCINNATI • AUSTIN • COLUMBUS • DAYTON • LANSING • LIMA • MARIETTA • NANTUCKET • WASHINGTON	DESIGN AGENCY
	DATE
REVIEWED	DATE
DRAWN	DATE
DESIGNED	DATE
CHECKED	DATE
REVISIONS	DATE
BRIDGE NO. WAR-CR32-0514 SOCIALVILLE-FOSTERS RD (CR32) OVER SIMPSON CREEK	STRUCTURE FILE NUMBER 8535192
WAR-CR32-5.14 PID No. NONE	END DIAPHRAGM DETAILS
8 / 11	34 / 37

O:\0D0T\WAR\Socialville-Fosters Road Bridge_CR32-5.14\Design\Structures\WAR032-514C_Sheets\R032-514C_SD001.dgn Sheet 11/16/2018 2:27:29 PM chris-s



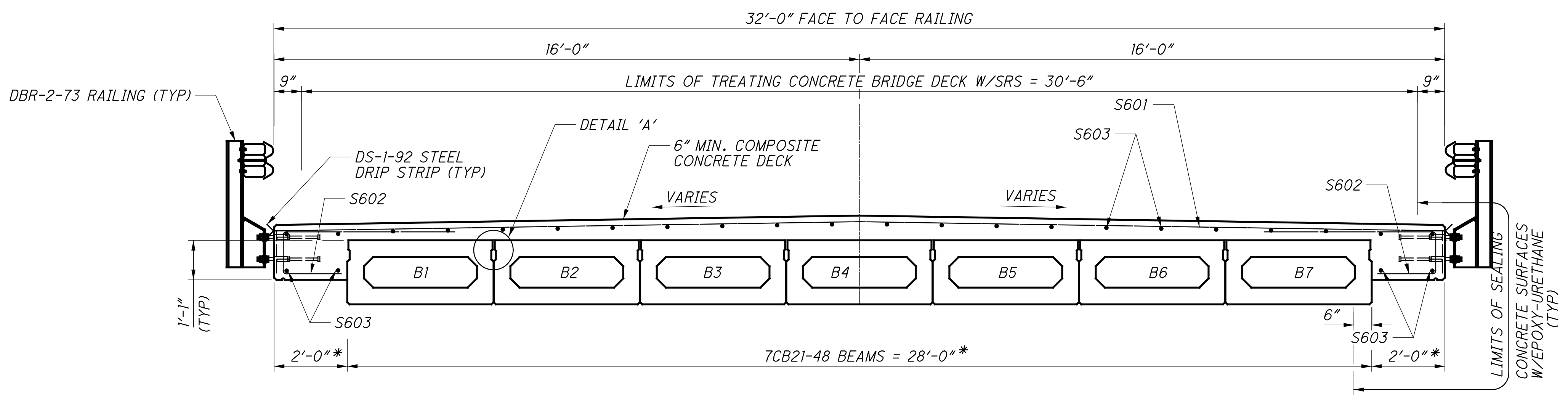
DECK PLAN

#6 BARS MIN. LAP LENGTH = 2'-6"



DETAIL 'A'

SHEAR KEYWAYS SHALL BE MORTARED TO A FINISHED PLANE BETWEEN THE TOP EDGES OF THE ADJACENT BEAMS WHERE VERTICAL OFFSET OCCURS WITHIN TOLERANCES



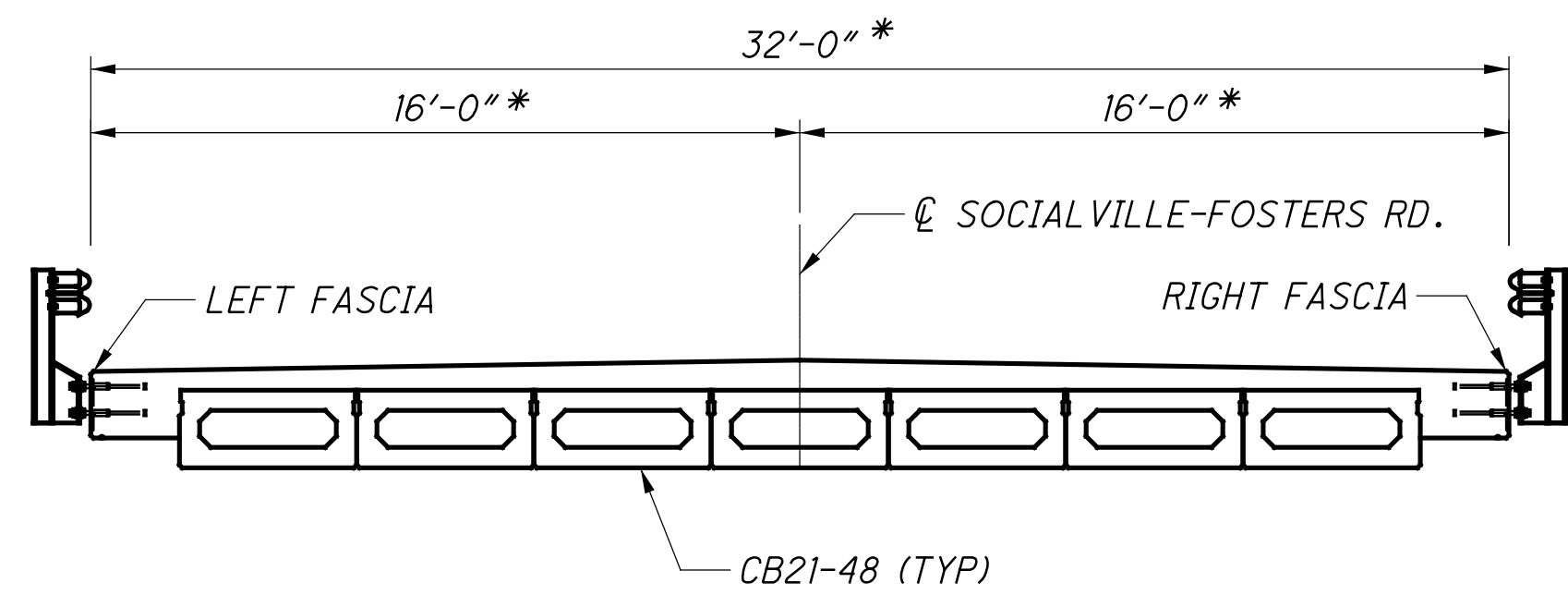
TRANSVERSE SECTION

* PLUS FIT-UP

- NOTES:**
- 1) FOR NOTES REGARDING PRESTRESSED CONCRETE BOX BEAM DETAILS AND FOR ADDITIONAL DETAILS, SEE STD. DWG. PSBD-2-07.
 - 2) SEE SHEET [7/11] FOR FRAMING PLAN AND BEAM DETAILS.
 - 3) FOR NOTES AND ADDITIONAL DETAILS REGARDING THE STEEL DRIP STRIP, SEE STD. DWG. DS-1-92.
 - 4) FOR DECK ELEVATIONS, SEE SHEET [10/11].
 - 5) FOR ADDITIONAL DECK END AND DIAPHRAGM DETAILS SEE SHEET [8/11].

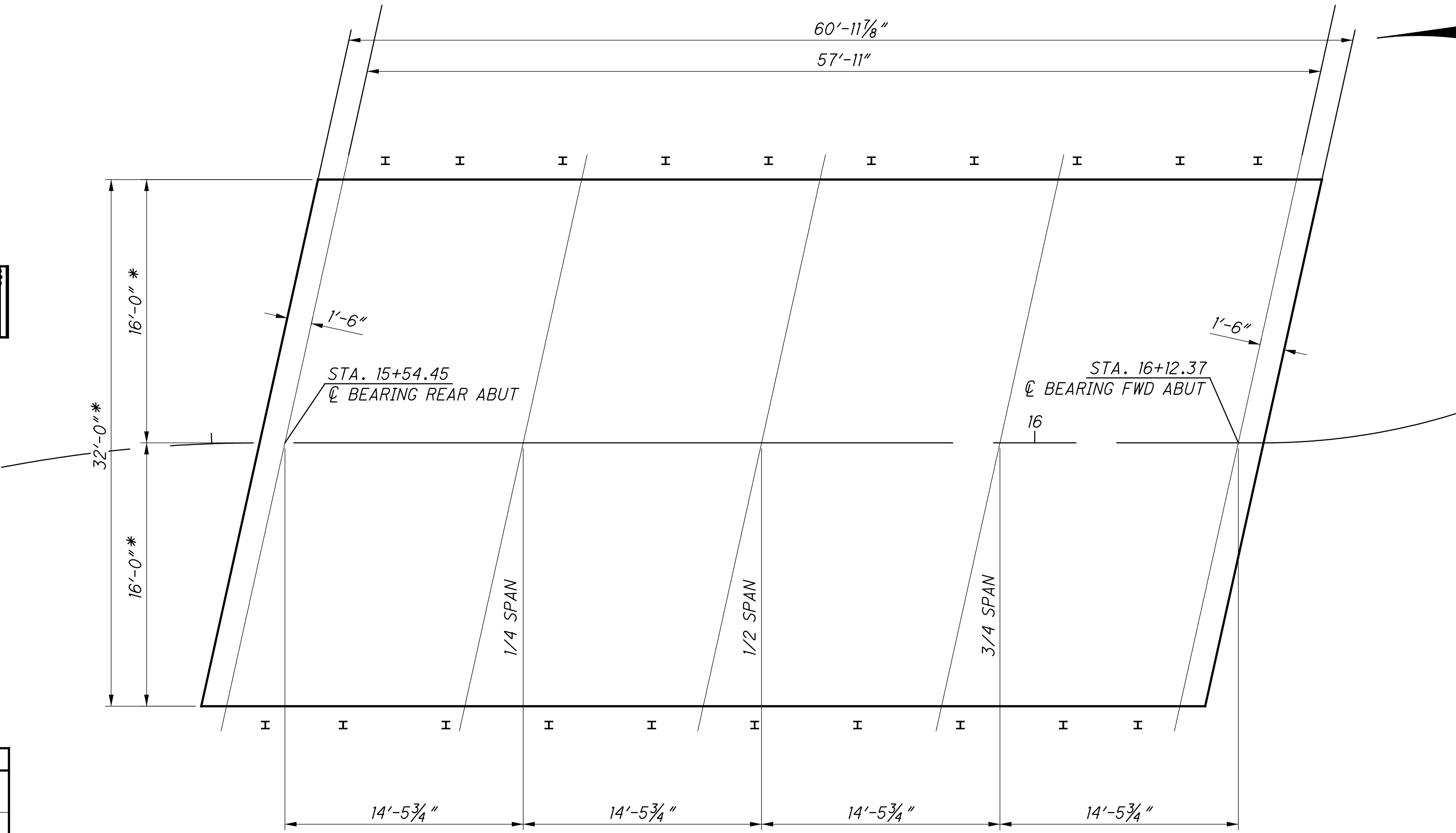
	DESIGN AGENCY
	PALMER ENGINEERING, INC. CIVIL ENGINEERING 1001 W. CHURCH ST. CINCINNATI, OH 45202, MISSOURI, U.S.A.
DESIGNED	MJS
CHECKED	CEJ
DRAWN	SDW
REVISSED	
REVIEWED	BUJ
DATE	1/22/2018
STRUCTURE FILE NUMBER	8335192
DECK DETAILS	
BRIDGE NO. WAR-CR32-0514	
SOCIALVILLE-FOSTERS RD (CR32) OVER SIMPSON CREEK	
WAR-CR32-5.14	PID No. NONE
9 / 11	
35	37

O:\000T\WAR\Socialville-Fosters Road Bridge_CR32_514\Design\Structures\WAR032_514C_S5003.dgn Sheet 11/16/2018 2:27:30 PM chris-s



TRANSVERSE SECTION

* PLUS FIT-UP



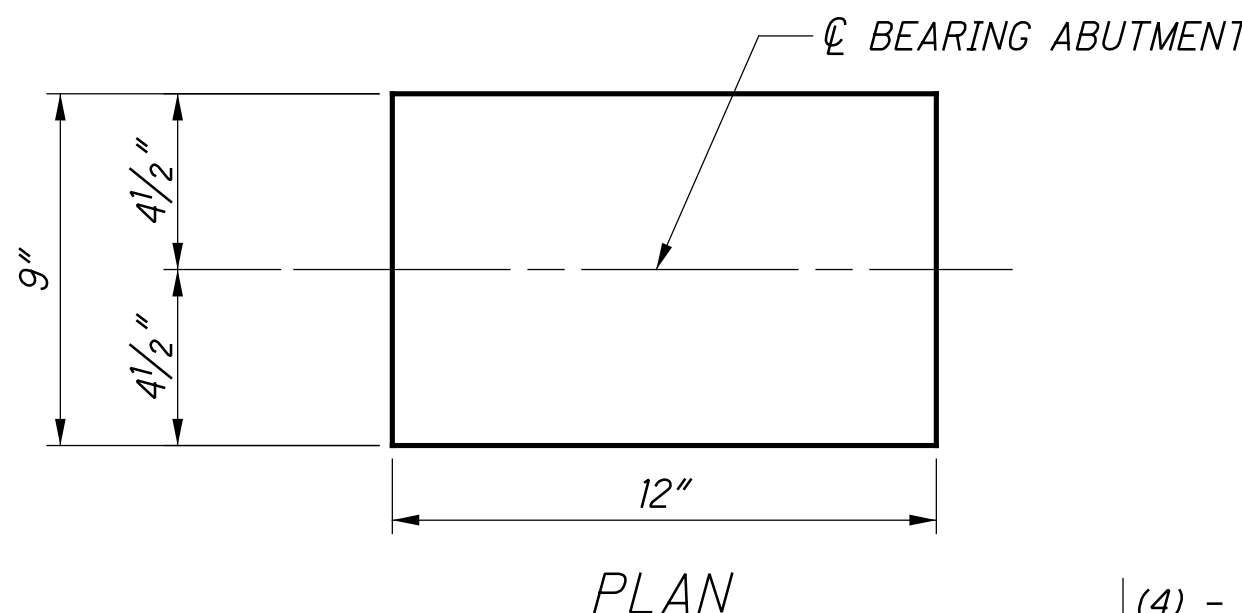
DECK ELEVATIONS SCHEMATIC

* PLUS FIT-UP

SCREED ELEVATION LOCATIONS					
LOCATION	CL BEARING REAR ABUT.	1/4 SPAN	1/2 SPAN	3/4 SPAN	CL BEARING FWD. ABUT.
LEFT FASCIA	15+57.99	15+72.47	15+86.95	16+01.43	16+15.90
CL CR32	15+54.44	15+68.92	15+83.40	15+97.88	16+12.36
RIGHT FASCIA	15+50.89	15+65.37	15+79.85	15+94.33	16+08.81

SCREED ELEVATIONS					
LOCATION	CL BEARING REAR ABUT.	1/4 SPAN	1/2 SPAN	3/4 SPAN	CL BEARING FWD. ABUT.
LEFT FASCIA	650.44	650.36	650.24	650.06	649.84
CL CR32	650.71	650.61	650.50	650.34	650.16
RIGHT FASCIA	650.45	650.52	650.54	650.50	650.40

FINAL DECK SURFACE ELEVATIONS					
LOCATION	CL BEARING REAR ABUT.	1/4 SPAN	1/2 SPAN	3/4 SPAN	CL BEARING FWD. ABUT.
LEFT FASCIA	650.44	650.29	650.14	649.99	649.84
BEAM 1	650.51	650.36	650.22	650.07	649.92
BEAM 2	650.57	650.43	650.29	650.15	650.00
BEAM 3	650.64	650.50	650.36	650.22	650.08
CL CR32 & BEAM 4	650.71	650.57	650.44	650.30	650.16
BEAM 5	650.64	650.54	650.43	650.33	650.22
BEAM 7	650.58	650.51	650.43	650.36	650.28
BEAM 8	650.52	650.47	650.43	650.39	650.34
RIGHT FASCIA	650.45	650.44	650.43	650.42	650.40



BEARING PAD DETAILS

NOTES FOR ELASTOMERIC BEARINGS:

DEAD LOAD = 25.3 KIPS (UNFACTORED)
 LIVE LOAD = 29.5 KIPS (UNFACTORED, WITHOUT DYNAMIC ALLOWANCE)
 TOTAL LOAD = 54.8 KIPS (UNFACTORED)

THE ELASTOMER SHALL HAVE HARDNESS OF 50 DUROMETER. THE BEARINGS WERE DESIGNED IN ACCORDANCE WITH SECTION 14.7.6 (METHOD A) OF THE AASHTO LRFD BRIDGE DESIGN SPECIFICATIONS. THE LONG-TERM COMPRESSION PROOF LOAD TEST (AASHTO STANDARD SPECIFICATIONS FOR HIGHWAY BRIDGES, DIVISION II, SECTION 18.7.2.6) IS NOT REQUIRED.

- (4) - 0.50" INTERIOR ELASTOMER LAYERS
- (2) - 0.30" EXTERIOR ELASTOMER LAYERS
- (5) - 0.074" STEEL LAMINATES

NOTES:

- 1) SCREED ELEVATIONS SHOWN REPRESENT THE THEORETICAL DECK SURFACE LOCATION PRIOR TO DEFLECTIONS CAUSED BY DECK PLACEMENT AND OTHER ANTICIPATED DEAD LOADS.
- 2) FINAL DECK SURFACE ELEVATIONS SHOWN REPRESENT THE DECK SURFACE LOCATION AFTER ALL ANTICIPATED DEAD LOAD DEFLECTIONS HAVE OCCURRED.
- 3) FOR BEARING PAD LOCATIONS, SEE SHEET 7/11.

LOCATION	BEARING DESIGN DATA										
	UNFACTORED LOAD (KIPS)			DIMENSION (IN)					NO. OF <i>t_i</i>	NO. OF STEEL LAMINATES (14 GAUGE)	NUMBER REQUIRED
	DL	LL*	MAXIMUM DESIGN LOAD	WIDTH	LENGTH	THICKNESS	<i>t_i</i>	<i>t_e</i>			
ABUTMENTS	25.3	29.5	54.8	12	9	2.97	0.50	0.30	4	5	28

DESIGN AGENCY: **Palmer Engineering**
 1000 W. BROADWAY, SUITE 200
 CHICAGO, IL 60606
 TEL: 312.467.1000
 FAX: 312.467.1001
 WWW.PALMERENGINEERING.COM

DESIGNED: MUS
 CHECKED: CEJ

REVIEWED: BUJ
 STRUCTURE FILE NUMBER: 8535192

DATE: 1/22/2018

WAR-CR32-5.14

PID No. NONE

DECK ELEVATIONS AND BEARING DETAILS

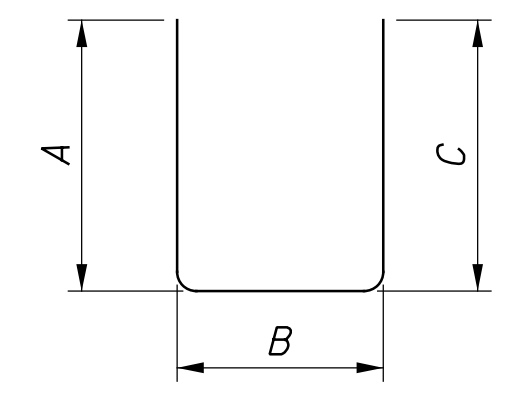
BRIDGE NO. WAR-CR32-0514

SOCIALVILLE-FOSTERS RD (CR32) OVER SIMPSON CREEK

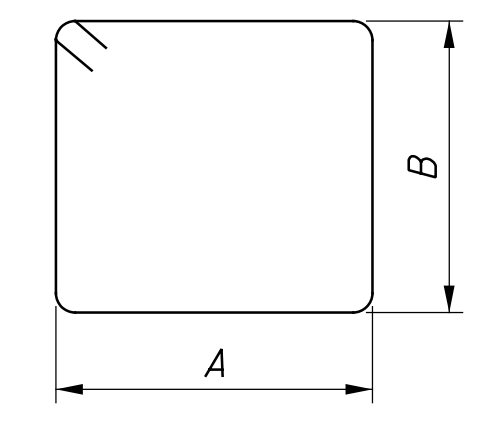
10 / 11

36
37

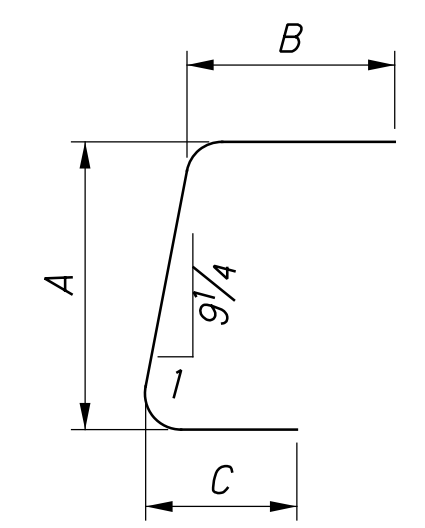
REINFORCING STEEL LIST										
MARK	NUMBER			LENGTH	WEIGHT (LBS.)	TYPE	DIMENSIONS			
	REAR	FWD.	TOTAL				A	B	C	INC.
ABUTMENTS										
A501	21	11	32	4' - 8"	156	STR				
A502	12	9	21	3' - 7"	79	STR				
A503	24	12	36	2' - 9"	104	STR				
A504	3	3	6	5' - 10"	37	37	3' - 3"	1' - 1"	1' - 9"	
A505	3		3	7' - 1"	23	37	3' - 3"	2' - 6"	1' - 7"	
A506	1	1	2	2' - 7"	6	STR				
A507	1	8	9	3' - 1"	29	STR				
A508		3	3	5' - 11"	19	37	3' - 8"	0' - 11"	1' - 7"	
ABUTMENT TOTAL					453					
END DIAPHRAGMS										
D501	20	20	40	3' - 9"	157	2	1' - 8"	0' - 8"	1' - 8"	
D502	20	20	40	4' - 5"	183	3	0' - 7"	1' - 4"		
D503	4	4	8	9' - 5"	79	3	2' - 7"	1' - 10"		
D504	4	4	8	4' - 0"	34	2	0' - 10"	2' - 7"	0' - 10"	
D505	4	4	8	28' - 0"	234	STR				
D601	10	10	20	8' - 5"	253	2	5' - 7"	1' - 7"	1' - 7"	
END DIAPHRAGM TOTAL					940					
SUPERSTRUCTURE										
S601			83	31' - 7"	3,938	STR				
S602			73	7' - 9"	850	2	5' - 7"	0' - 11"	1' - 7"	
S603			52	31' - 7"	2,467	STR				
SUPERSTRUCTURE TOTAL					7,255					
GRAND TOTAL					8,648					



TYPE-2



TYPE-3



TYPE-37

WAR - CR32 - 5.14	REINFORCING STEEL LIST	DESIGN AGENCY Palmer Engineering 1100 WEST KEMPER RD., SUITE B CINCINNATI, OH 45240-1100 TEL: 513-752-1100 FAX: 513-752-1109 WWW.PALMERENGINEERING.COM
PID No. NONE	BRIDGE NO. WAR-CR32-0514 SOCIALVILLE-FOSTERS RD (CR32) OVER SIMPSON CREEK	DATE 1/22/2018
11 / 11	REVIEWED BUJ	FILE NUMBER 8535192
37 37	DRAWN SDW	REVISER
	DESIGNED MJS	CHECKED CEJ

BID/CONTRACT DOCUMENTS

**SOCIALVILLE-FOSTERS ROAD BRIDGE #32-5.14
REHABILITATION AND RETAINING WALL
REPLACEMENT PROJECT**

*ON BEHALF OF
NEIL F. TUNISON
WARREN COUNTY ENGINEER*

**WARREN COUNTY BOARD OF COMMISSIONERS
406 JUSTICE DRIVE
LEBANON, OHIO 45036
(513) 695-1250**

PROPOSAL PRICE (BID) SHEET

**SOCIALVILLE-FOSTERS ROAD BRIDGE #32-5.14 REHABILITATION PROJECT
BID PROPOSAL**

Item No.	Description	Quantity	Unit	Unit Cost	Total Cost
BRIDGE REHABILITATION ITEMS					
Roadway					
201	Clearing and Grubbing, As Per Proposal Note	1	Lump		
202	Guardrail Removed	345	FT		
203	Excavation including Pavement Removal, As Per Proposal Note	52	CY		
203	Embankment	21	CY		
204	Subgrade Compaction	112	SY		
606	Guardrail, Type 5, Using 9 Foot Posts	250	FT		
606	Anchor Assembly, Type T, Using 9 Foot Posts	2	Each		
606	Bridge Terminal Assembly, Type 4, Using 9 Foot Posts, As Per Plan	4	Each		
609	Curb, Type 6	49	FT		
				Sub-Total =	
Erosion Control					
601	Rock Channel Protection, Type D with Filter	1	CY		
659	Topsoil	18	CY		
659	Seeding and Mulching	165	SY		
659	Repair Seeding and Mulching	8	SY		
659	Commerical Fertilizer	0.02	Ton		
659	Water	1	M Gal		
832	Erosion Control, As Per Proposal Note	1,000	Each	\$ 1.00	\$ 1,000.00
				Sub-Total =	
Pavement					
254	Pavement Planing, Asphalt Concrete (1 1/2"), As Per Proposal Note	244	SY		
301	Asphalt Concrete Base, PG 64-22	56	Ton		
407	Tack Coat, As Per Proposal Note	29	Gal		
441	Asphalt Concrete Surface Course, Type 1, (448), PG 64-22	30	Ton		
441	Asphalt Concrete Intermediate Course, Type 1, (448), PG 64-22	10	Ton		
				Sub-Total =	
Traffic Control					
626	Barrier Reflector, Type A2 (Bi-Directional)	11	Each		
630	Ground Mounted Support, No. 3 Post	174	FT		
630	Removal of Ground Mounted Sign and Reerection	11	Each		
630	Ohio Public Works Commission Standard Sign	1	Lump		
642	Edge Line, 4", Type 1	0.04	Mile		
642	Center Line, Type 1	0.02	Mile		
646	Edge Line, 4"	0.02	Mile		
646	Center Line	0.01	Mile		
				Sub-Total =	

**SOCIALVILLE-FOSTERS ROAD BRIDGE #32-5.14 REHABILITATION PROJECT
BID PROPOSAL**

Item No.	Description	Quantity	Unit	Unit Cost	Total Cost
	Miscellaneous				
614	Maintaining Traffic, As Per Proposal Note	1	Lump		
623	Construction Layout Stakes and Surveying, As Per Proposal Note	1	Lump		
624	Mobilization, As Per Proposal Note	1	Lump		
				Sub-Total =	
	Bridge				
202	Portions of Structure Removed, As Per Plan	1	Lump		
202	Wearing Course Removed	190	SY		
304	Aggregate Base	29	CY		
503	Unclassified Excavation, As Per Proposal Note	1	Lump		
509	Epoxy Coated Reinforcing	8,648	Pounds		
509	Replacement of Existing Reinforcing Steel	200	Pounds		
510	Dowel Holes with Nonshrink, Nonmetallic Grout, As Per Proposal Note	45	Each		
511	Class QC 1 Concrete, Abutment, As Proposal Note	6	CY		
511	Class QC 2 Concrete, Superstructure, As Per Proposal Note	65	CY		
512	Sealing of Concrete Surfaces (Epoxy Urethane), As Per Proposal Note	92	SY		
512	Treating Concrete Bridge Deck with SRS, As Per Proposal Note	207	SY		
515	Prestressed Concrete Composite Box Beam Bridge Members, Level 1, CB21-48, As Per Proposal Note	7	Each		
516	Preformed Elastomeric Compression Joint Seal	66	FT		
516	1" Preformed Expansion Joint Filler	34	SF		
516	Integral Abutment Expansion Joint Seal	72	FT		
516	1/8" Preformed Bearing Pads	14	Each		
516	Elastomeric Bearing with Internal Laminates Only (9" x 12" x 3")	28	Each		
517	Railing (Deep Beam Rail with Steel Tubular Backup and Type 2 Steel Posts)	126	FT		
Special	Steel Drip Strip, As Per Proposal Note	146	FT		
				Sub-Total =	
				Bridge Rehabilitation Total =	

**SOCIALVILLE-FOSTERS ROAD BRIDGE #32-5.14 REHABILITATION PROJECT
BID PROPOSAL**

Item No.	Description	Quantity	Unit	Unit Cost	Total Cost
	RETAINING WALL REPLACEMENT ITEMS				
	Retaining Wall				
201	Clearing and Grubbing, As Per Proposal Note	1	Lump		
202	Pipe Removed	31	FT		
202	Guardrail Removed	200	FT		
203	Excavation including Pavement Removal, As Per Proposal Note	15	CY		
203	Excavation, Flowline, As Per Proposal Note	1	Lump		
203	Embankment, As Per Proposal Note	25	CY		
204	Subgrade Compaction	50	SY		
301	Asphalt Concrete Base, PG 64-22, As Per Proposal Note	20	Ton		
304	Aggregate Base, As Per Proposal Note	10	CY		
511	Class QC 1 Concrete, HP 12x53 Footing, As Per Proposal Note	63	CY		
606	Guardrail, Type 5, As Per Proposal Note	200	FT		
611	18" Conduit, Type A, 707.65, As Per Proposal Note	34	FT		
613	Low Strength Mortar Backfill	75	CY		
614	Maintaining Traffic, As Per Proposal Note	1	Lump		
624	Mobilization, As Per Proposal Note	1	Lump		
630	Removal of Ground Mounted Sign and Reerection, As Per Proposal Note	2	Each		
659	Seeding and Mulching	155	SY		
Special	Drilling, 30" Diameter, As Per Proposal Note	340	FT		
Special	HP 12x53, As Per Proposal Note	560	FT		
Special	Reinforced Concrete Panel, As Per Proposal Note	1,255	SF		
Special	Concrete Toe Wall, As Per Proposal Note	281	FT		
	Retaining Wall Replacement Total =				
	Total Base Bid Price (Bridge & Retaining Wall) =				
	BRIDGE REHABILITATION ITEMS (ALTERNATE)				
	Alternate Bid				
Special	Existing Stone Wall Repair with Gunite, As Per Proposal Note	1	Lump		
	Total Alternate Bid Price =				
	Total Base & Alternate Bid Price =				

BID PROPOSAL

Proposal for the Socialville-Fosters Road Bridge #32-5.14 Rehabilitation and Retaining Wall Replacement Project. This work consists of rehabilitating the existing bridge, replacing a deteriorated retaining wall, and completing the related roadway items along Socialville-Fosters Road. The project shall be as per plans and specifications as provided by the Warren County Engineer.

The undersigned do hereby propose to furnish all labor, materials, tools, equipment, etc., necessary to construct this project for the Warren County Engineer's Office. The above quotations to be in full force and effect for sixty (60) days after the date of opening bids. The full name and address of all persons and parties interested in the foregoing bids as principals are as follows:

TOTAL BASE BID PRICE \$ _____

TOTAL ALTERNATE BID PRICE \$ _____

TOTAL BASE & ALTERNATE BID PRICE \$ _____

The Warren County Engineer's Office reserves the right to choose if the alternate will be included in the contract for the Socialville-Fosters Road Bridge #32-5.14 Rehabilitation and Retaining Wall Replacement Project. The contract will be awarded to the best and most responsive bid based on the qualifications of the Contractor and the total price of the Total Base Bid plus any Alternate selected.

SIGNED

PRESIDENT

COMPANY

SECRETARY

BY

TITLE

DATE

ADDRESS

EXCEPTION SHEET

Exceptions: Exceptions to any bid specification must be clearly stated on this sheet. This sheet must be submitted with each bid. If there are no exceptions, please indicate "none" below.

1) _____

2) _____

3) _____

4) _____

5) _____

6) _____

7) _____

8) _____

9) _____

10) _____

BIDDER IDENTIFICATION

ATTENTION BIDDER:

Please fill out this form and submit with your bid.

COMPANY NAME:

CHIEF EXECUTIVE OFFICER:

ADDRESS:

PHONE NUMBER:

FAX NUMBER:

PROJECT CONTACT PERSON:

PHONE NUMBER:

E-MAIL ADDRESS:

FEDERAL ID #:

WEBSITE ADDRESS:

TABLE OF CONTENTS

- Proposal Price (Bid) Sheet
- Exception Sheet
- Bidder Identification

- A) Invitation to Bidders
 - Directions to Warren County Administration Building

- B) General Instructions to Bidders

- C) Noncollusion Affidavit

- D) Bid Guaranty & Contract Bond

- E) Performance Bond

- F) Contract

- G) Bond & Insurance Requirements

- H) Experience Statement

- I) Affidavit of Non-Delinquency of Real and/or Personal Property Tax

- J) Non-Discrimination and Equal Employment Opportunity Requirements and Affidavit

- K) Findings for Recovery Affidavit

- L) Wage Rate Determination

- M) Special Provisions/Technical Specifications

SECTION A

INVITATION TO BIDDERS

INVITATION TO BIDDERS

Separate sealed bids for the Socialville-Fosters Road Bridge #32-5.14 Rehabilitation and Retaining Wall Replacement Project will be received by the Warren County Board of Commissioners at the Office of the Warren County Commissioners, 406 Justice Drive, Lebanon, Ohio 45036, until 9:00 a.m., May 21, 2019, and then at said time publicly opened and read aloud.

Bid documents and specifications are available online at the Warren County's Website at <http://www.co.warren.oh.us/commissioners/Resources/Bids/Default.aspx>. Please contact the Warren County Commissioners (513) 695-1250 if you have trouble with this procedure or if you need additional information on accessing bid project information on our web site.

Questions regarding the technical specifications should be directed to Roy Henson, Bridge Engineer, at the Warren County Engineer's Office, at (513) 695-3310. Each bid shall contain the full name of each person or company submitting the bid and be accompanied by a bid bond for the full amount of the bid or a certified check in the amount equal to ten (10) percent of the bid.

A Bid guaranty, as required by Ohio Revised Code, Section 153.54, shall accompany each proposal submitted, as follows:

1. A Certified check, cashiers check, or letter of credit equal to ten (10) percent of the bid. A letter of credit may only be revocable by the Owner. Upon entering into a contract with the Owner, the contractor must file a performance bond for the amount of the contract, and the bid guaranty will then be returned to the successful and unsuccessful bidders upon contract execution.

OR

2. A form of bid guaranty bond (attached) for the full amount of the bid. Such bond is retained for the successful bidder, but returned to unsuccessful bidders after the contract is executed.

Attention of bidders is called to all of the requirements contained in the bid packet. **All bidders shall be ODOT pre-qualified.** No bidder may withdraw his/her bid within sixty (60) days after the actual date of the opening thereof. All bids shall be properly signed by an authorized representative of the bidder.

Please be aware that if you are downloading this document to bid this project, and in order to stay updated on any change, please email Kiana Hawk in the Commissioners Office at kiana.hawk@co.warren.oh.us with your contact information.

All bids shall be sealed and plainly marked "**Bid Opening – SOCIALVILLE-FOSTERS ROAD BRIDGE #32-5.14 REHABILITATION AND RETAINING WALL REPLACEMENT PROJECT, May 21, 2019 @ 9:00 a.m.**"

Warren County reserves the right to reject any or all bids submitted, to waive any irregularities in bids, and enter into a contract with the Bidder who in Warren County's consideration offered the lowest and best bid.

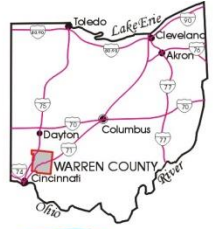
By order of the Board of County Commissioner, County of Warren, State of Ohio.

Tina Osborne, Clerk

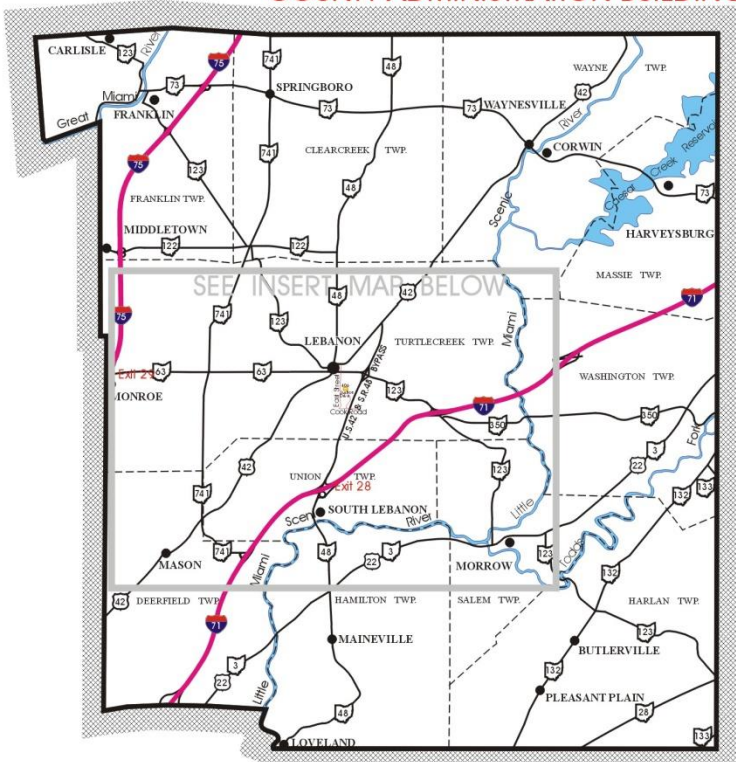


DIRECTIONS FROM INTERSTATE HIGHWAYS 71 & 75 TO WARREN COUNTY, OHIO

COUNTY ADMINISTRATION BUILDING



TRI-STATE REGION COUNTIES



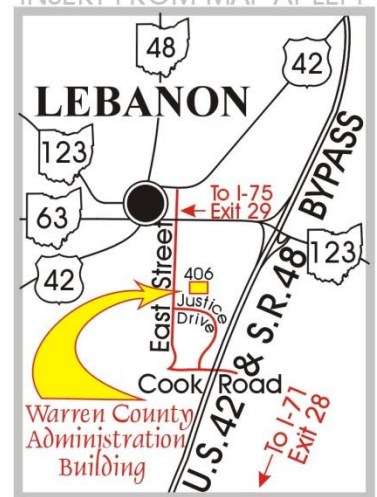
- FROM INTERSTATE 75:**
- Take Monroe / Lebanon Exit 29,
 - Head East on S. R. 63 into Lebanon,
 - Turn right onto East Street,
 - Turn left onto Justice Drive,
 - Turn left into parking lot,
 - At first driveway on left.

- FROM INTERSTATE 71:**
- Take Lebanon / South Lebanon Exit 28,
 - Head North on U. S. 42 / S. R. 48 Bypass,
 - Turn left onto Cook Road at traffic light,
 - Turn at first right onto Justice Drive,
 - Turn right at first street on right,
 - Then left into parking lot at first left.

INSERT FROM ABOVE MAP



INSERT FROM MAP AT LEFT



Map Prepared By: Warren County Regional Planning Commission

SECTION B

GENERAL INSTRUCTIONS TO BIDDERS

GENERAL INSTRUCTIONS TO BIDDERS

1. **Receipt and Opening of Bids:** The Warren County Board of Commissioners (herein referred to as "Owner"), invites bids on the form attached hereto, all blanks of which must be appropriately filled in. Bids will be received by the Owner at the Office of the Warren County Board of Commissioners until 9:00 a.m., May 21, 2019, and then at said office publicly opened and read aloud. The envelopes containing the bids must be sealed, addressed to Warren County Board of Commissioners at 406 Justice Drive, Lebanon, Ohio 45036. Bids shall be submitted in a sealed envelope clearly marked **“Bid Opening – SOCIALVILLE-FOSTERS ROAD BRIDGE #32-5.14 REHABILITATION AND RETAINING WALL REPLACEMENT PROJECT, May 21, 2019 @ 9:00 a.m.”**

The Owner may consider informal any bid not prepared and submitted in accordance with the provisions hereof and may waive any informalities or reject any and all bids. Any bid may be withdrawn prior to the above scheduled time for the opening of bids or authorized postponement thereof. Any bid received after the time and date specified shall not be considered. No bidder may withdraw a bid within 60 days after the actual date of the opening thereof.

2. **Withdraw of Bid:** A Bidder may withdraw his bid from consideration if the price bid was substantially lower than the other bids, provided the bid was submitted in good faith and the reason for the price being substantially lower was a clerical mistake as opposed to a judgment mistake and was actually due to an unintentional omission of a substantial quantity of work, labor or material made directly in the compilation of the bid. Request to withdraw such bid must be made in writing and filed with the Owner within two business days after the opening of bids and prior to the acceptance thereof.
3. **Preparation of Bid:** Each bid must be submitted on the prescribed form and such documents as hereunder described. All blank spaces for bid prices must be filled in, in ink or typewritten, in both words and figures, and the foregoing certifications must be fully completed and executed when submitted.
4. **Method of Bidding:** The Owner invites the following bid(s):

SOCIALVILLE-FOSTERS ROAD BRIDGE #32-5.14 REHABILITATION AND RETAINING WALL REPLACEMENT PROJECT

Bids shall be submitted at the time and place indicated in the Invitation to Bidder and shall be included in a sealed envelope, marked with the project title and name and address of the bidder and accompanied by the bid security and other required documents.

Bids may be modified or withdrawn by an appropriate document duly executed (in the manner that a bid must be executed) and delivered to the place where bids are to be submitted at any time prior to the opening of bids.

The Owner invites unit price bids for the construction described in the plans and specifications. These unit prices shall be extended by estimated quantities to develop a total price for the project.

If the total price received from the lowest and best bidder exceeds the amount of funds available to finance the contract, the Owner may:

- a. Reject all bids;
 - b. Augment the funds available in an amount sufficient to enable award to the lowest and best bidder;
 - c. Reduce the scope of work by eliminating certain items of work to produce a total bid which is within available funds;
 - d. Reduce the scope of work by reducing the quantity of certain items of work to produce a total bid which is within available funds;
 - e. Reduce the scope of work by a combination of adjustments as outlined in "c" and "d" above to produce a total bid which is within available funds.
 - f. The Owner may reject all bids or may award the contract on the base bid or on the base bid combined with additions or deductible alternates as produces a net amount which is within the available funds.
 - g. The Owner may consider informal and may reject any bid not prepared and submitted in accordance with the provisions hereof. The Owner reserves the right to reject all bids, to waive any informalities or irregularities in the bids received, and to accept any bid which is deemed lowest and best.
5. **Qualification of Bidder:** The Owner may make such investigations as he/she deems necessary to determine the ability of the bidder to perform the work, and the bidder shall furnish to the Owner all such information and data for this purpose as the Owner may request. The Owner reserves the right to reject any bid if the evidence submitted by, or investigation of, such bidder fails to satisfy the Owner that such bidder is properly qualified to carry out the obligations of the contract and to complete the work contemplated therein; conditional bids will not be accepted.
6. **Bid Security:** Each bid must be accompanied by cash, certified check of the bidder, letter of credit equal to ten (10) percent of the bid, or a bid bond prepared on the form of bid bond attached hereto, duly executed by the bidder as principal and having as surety thereon a surety company approved by the Owner. (See Invitation to Bidders for required amounts) Such cash, checks or bid bonds will be returned to bidders after the Owner has awarded the bid and has executed the contract, or, if no award has been made within 60 days after the date of the opening of bids, upon demand of the bidder at any time thereafter, so long as he/she has not been notified of the acceptance of his/her bid.
7. **Liquidated Damages for Failure to Enter into Contract:** Submission of a bid shall be a representation by the Contractor that it has fully reviewed and is familiar with the Contract and all contract documents as defined in the contract and will execute the contract if awarded the bid. The successful bidder, upon his/her failure or refusal to execute and deliver the Contract (attached hereto) and required bonds within 10 days after he/she has received notice of the acceptance of his/her bid, shall forfeit to the Owner, as liquidated damages for such failure or refusal, the security deposited with his/her bid.
8. **Time of Completion and Liquidated Damages:** Bidder must agree to commence work on or before a date to be specified in a written "Notice to Proceed" of the Owner and to fully

complete the project is 12 weeks after the written notice-to-proceed has been issued and a preconstruction meeting has been held. The completion date may be extended in the event of adverse weather conditions. Bidder must agree also to pay as liquidated damages the sum of \$600.00 for each consecutive calendar day thereafter.

9. **NO DAMAGE FOR DELAY:** No payment, compensation or adjustment of any kind shall be made to the contract price for damages incurred by the contractor because of hindrances or delays in the progress of the work from any cause that is not proximately caused by the Owner's action or failure to act. Whether such hindrances or delays are avoidable or unavoidable, the contractor agrees that he or she will make no claim for compensation, damages or mitigation of liquidated damages for any such delays. Examples of delays include (but are in no manner limited to) obtaining all necessary permission from any government agency or any private party, any act or failure to act by any other contractor, subcontractor and/or supplier, all foreseen and unforeseen events and any conditions or acts of God. It is understood and agreed that the contractor assumes all risks of delays in prosecuting or completing the work under the contract that are not proximately caused by the Owner's action or failure to act. The contractor will accept in full satisfaction for such delays, an extension of time, if any, agreed to by the Owner.
10. **Conditions of Work:** Each bidder must inform him/herself fully of the conditions relating to the construction of the project and the employment of labor thereon. Failure to do so will not relieve a successful bidder of his/her obligation to furnish all material and labor necessary to carry out the provisions of his/her contract. Insofar as possible the contractor, in carrying out the work, must employ such methods or means or will not cause any interruption of or interference with the work of any other contractor.
11. **Addenda and Interpretations:** No interpretation of the meaning of the plans, specifications or other pre-bid documents will be made to any bidder orally. Every request for such interpretation must be in writing and addressed to: Roy Henson, Warren County Engineer's Office, 210 West Main Street, Lebanon, Ohio, 45036, and to be given consideration must be received at least five days prior to the date fixed for the opening of bids. All such interpretations and any supplemental instructions will be in the form of written addenda to the specifications which, if issued, will be emailed with return receipt requested to all prospective bidders (at the respective addresses furnished for such purposes), no later than three days prior to the date fixed for the opening of bids. Failure of any bidder to receive any such addendum or interpretations shall not relieve such bidder from any obligation under his/her bid as submitted. All addenda so issued shall become part of the contract documents.
12. **Security for Faithful Performance:** Simultaneously with the delivery of the executed Contract, the Contractor shall furnish payment and performance bonds as security for faithful performance of this contract and for the payment of all subcontracts, suppliers and laborers performing labor on the project under the Contract and furnishing materials in connection with the Contract.

The surety on such bond or bonds shall be a duly authorized surety company satisfactory to the Owner. Please note that upon execution of the Contract if a Bid Guaranty/Contract Bond was submitted with your original bid a Performance Bond will not be required.

13. **Power of Attorney:** Attorneys-in-fact who sign bid bonds or contract bonds must file with each bond a certified and effectively dated copy of their power of attorney.

14. **Laws and Regulations:** The bidder's attention is directed to the fact that all applicable State laws, municipal ordinances, and the rules and regulations of all authorities having jurisdiction over construction of the project shall apply to the contract throughout, and they will be deemed to be included in the contract the same as though herein written out in full.
15. **Method of Award - Lowest Qualified Bidder:** The Owner may reject all bids or may award the contract on the base bid or on the base bid combined with additions or deductible alternates as produces a net amount which is within the available funds.
16. **Obligation of Bidder:** At the time of the opening of bids each bidder will be presumed to have inspected the site and to have read and to be thoroughly familiar with the plans and contract documents (including all addenda). The failure or omission of any bidder to examine any form, instrument or document shall in no way relieve any bidder from any obligation in respect of his/her bid.
17. **Safety Standards and Accident Prevention:** With respect to all work performed under this contract, the Contractor shall:
 - a. Comply with the safety standards provisions of applicable laws, building and construction codes and the "Manual of Accident Prevention in Construction" published by the Associated General Contractors of America, the requirements of the Occupational Safety and Health Act of 1970 (Public Law 91-596), and the requirements of title 29 of the code of Federal Regulations, Section 1518 as published in the "Federal Register", Volume 36, N. 75, Saturday, April 17, 1971.
 - b. Exercise every precaution at all times for the prevention of accidents and the protection of persons (including employees) and property.
 - c. Maintain at his/her office or other well known place at the job site, all articles necessary for giving first aid to the injured, and shall make standing arrangements for the immediate removal to a hospital or doctor's care of persons (including employees) who may be injured at the job site. In no case shall employees be permitted to work at a job site before the employer has made a standing arrangement for removal of injured persons to a hospital or a doctor's care.
18. **Examination of Site:** Each bidder shall, and is hereby directed to inspect the entire site of the proposed work and judge for him/herself as to all the circumstances affecting the cost and progress of the work and shall assume all patent and latent risks in connection therewith.
19. **Soil Conditions:** Subject to the convenience of the Owner, prospective bidders will be permitted to explore the site by making borings or digging test pits. In such event, the work shall be done at the sole expense and risk of the bidder, and he/she shall maintain and restore the site to original condition. The Owner does not guarantee the accuracy of any information or samples which it may have obtained from test borings or otherwise as to the kind or condition of the soil that may be encountered in the prosecution of the proposed work, neither does the Owner represent that the plans and specifications drawn are based upon any data so obtained. The Owner does not make any representation as to the soil which may be encountered or of soil or water which underlies the work or is adjacent thereto, including any difficulties that may be due to quicksand, or other unfavorable conditions that may be encountered in the work, whether apparent upon surface inspection or disclosed in the process of carrying forward the work.

20. **Water Supply:** All water for construction purposes, as well as the expense of having water conveyed about the work, must be provided by the Contractor and the cost of this work shall be included in the unit prices stipulated for the various items of the work to be done under this contract.
21. **Working Facilities:** The plans show, in the general manner, the existing structures and the land available for construction purposes. The bidders must satisfy themselves of the conditions and difficulties that may be encountered in the execution of the work at this site.
22. **Permits:** The Contractor shall take out all necessary permits from the proper authorities, and shall give all notices required by law or ordinance. The charge or fee for any permit issued by the proper authority shall be borne by the contractor.
23. **Signature of Bidders:** The firm, corporate or individual name of the bidder must be signed in ink in the space provided for the signatures on the proposed blanks. In the case of a corporation, the title of the officer signing must be stated and such officer must be thereunto duly authorized and the seal of said corporation duly affixed. In the case of a partnership, the signature of at least one of the partners must follow the firm name, using the term "member of the firm." In the case of an individual, use the terms "doing business as", or "sole owner." The bidder shall further state in his/her proposal the name and address of each person or corporation interested therein.
24. **Right to Accept or Reject Proposals:** The Owner may consider informal and may reject any bid not prepared and submitted in accordance with the provisions hereof. The Owner reserves the right to reject all bids, to waive any informalities or irregularities in the bids received, and to accept any bid which is deemed lowest and best.
25. **Non-Collusion Affidavit:** The successful bidder will be required to submit a non-collusion affidavit on the form included in these Bid/Contract documents (Section C). This affidavit shall be dated and executed as part of this bid.
26. **EEO Compliance:** Bidders please see Section J for EEO Compliance Requirements and Affidavit.
27. **Prevailing Wage Rates:** This Project is subject to Prevailing Wage Requirements. In the event that the rate of wages paid for any trade or occupant in the locality where such work is being performed are under current collective agreements or understandings between bona fide organizations of labor and employer, then the wages to be paid shall be not less than such agreed wage rates, nor less than the minimum rates compiled by the Federal Labor Standard Act. A copy of these prevailing wage rates has been included in these specifications as Exhibit L. Every Contractor and Subcontractor who is subject to Ohio Revised Code, Chapter 4115 shall, as soon as he/she begins performance under his/her contract with the Owner, supply the Prevailing Wage Coordinator for the Owner a schedule of the dates on which he/she is required to pay wages to employees. He/She shall also deliver to the Prevailing Wage Coordinator within three weeks after each pay date, a certified copy of his/her payroll which shall exhibit for each employee paid any wages, name, current address, social security number, number of hours worked each day of the pay period and the total for each week, hourly rate of pay, job classification, fringe payments, and deductions from wages. The certification of each payroll shall be executed by the Contractor, Subcontractor, or duly appointed agent thereof and shall recite that the payroll is correct and complete and that the wage rate shown is not less than those required by the contract.

In case the Owner orders the Contractor to perform extra or additional work which may make it necessary for the Contractor or any Subcontractor under this contract to employ a person not herein specified, the Owner will include in the contract change order for such extra or additional work, a minimum wage rate for such trade or occupation, and insofar as such extra or additional work is concerned, there shall be paid to each employee engaged in work of such trade or occupation, not less than the wage so included. Insofar as possible, local labor shall be employed on this work.

28. **Subletting of Contract:** The Contractor shall not sublet, sell, transfer or assign any portion of the contract without written consent of the Owner or his/her designated agent. When such consent is given, the Contractor will be permitted to sublet a portion thereof, but shall perform with his/her own organization, work amounting to no less than fifty percent of the total contract cost, except that any time designated in the contract before computing the amount of work required to be performed by the Contractor with his/her own organization, No subcontract, or transfer of contract, shall in any way release the Contractor of his/her liability under the contract and bonds.
29. **Required Insurance:** In accordance with the specifications, the Contractor, without restricting the obligations and liabilities assumed under the Contract Documents, shall at his/her own cost and expense purchase and maintaining in force until final acceptance of his/her work, the forms of insurance coverage listed below.

Certificates from the insurance carrier stating the limits of liability and expiration date shall be filed with the Owner before operations are begun. Such certificates shall not merely name the types of policy provided, **but shall specifically refer to this Contract** and shall name the Board of Warren County Commissioners as additionally insured. However, the original policy for Owner's Protective Bodily Injury (Item D) and Property Damages (Item E) shall at this time be delivered to the Owner for its possession.

All policies as hereinafter required shall be so written that the Owner will be notified of cancellation or restrictive amendment at least ten days prior to the effective date of such cancellation or amendment.

Item A - Workmen's Compensation and/or Employer's liability Insurance as required or specified by State Law.

Item B – Comprehensive General Liability Insurance: In an amount not less than \$1,000,000.00 per occurrence for Bodily Injury and \$500,000 for explosion underground and collapse, commonly known as “XCU.” The following endorsement documents provided by Warren County:

- a. CG 20 10 10 01 – additional insured endorsement (or equivalent)
- b. CG 20 37 10 01 – additional insured endorsement (or equivalent)
- c. CG 25 03 03 97 – designated location aggregate (or equivalent)

General Liability needs to be written on Primary/Non-contributory basis for the benefit of the additional insured.

Item C – Umbrella: In an amount not less than \$1,000,000 occurrence and \$1,000,000 aggregate. Umbrella needs to attach to General Liability, Employers Liability, Auto Liability. Umbrella needs to be written on follow-form primary.

Item D - Bodily Injury Liability Insurance covering motor vehicles either owned by the Contractor or being used in connection with the prosecution of the work embraced under this contract.

Item E - Property Damage Liability Insurance covering motor vehicles either owned by the Contractor or being used in connection with the prosecution of the work embraced under this contract.

Item F - (If Applicable) - Such Protective (including Railroad Protective) and Contractual Bodily Injury Liability Insurance and such Protective (including Railroad Protective) and Contractual Property Damage Liability Insurance as shall be required by the railroad and other utility companies whose property, facilities or rights-of-way may be affected by the work to be done under this contract, in such amounts and in such form as each such utility company may require.

If any part of the work is sublet, insurance of the same types and limits as required by above items numbered A, B, C, D, E, and F shall be provided by or on behalf of the Subcontractors to cover that part of the work they have contracted to perform including Property Damage Liability Special Hazards coverage if so required by this contract.

Protective and Contractual Bodily Injury Liability Insurance required by Item F (if applicable) shall be in an amount and form as each railroad or utility company may require.

Builders Risk Insurance: All Risk form, including subsidence and theft of materials from the job site. Such coverage shall be maintained until final acceptance of the Contract by the Owner and payable to the Owner for the benefit of the contractor. The limit for Builders Risk shall be the full value of construction.

30. **Maintenance of Rights-Of-Way:** All construction as proposed along all City, Township, County, State and Federal roads including storage and stockpiling of materials, is to be conducted within the limits of the public right-of-way. Bracing sheeting and shoring shall be used to keep all construction work within the construction limits unless work agreements are secured from the adjacent property Owners. It is the Contractor's responsibility to secure these work agreements, if deemed necessary. Copies of the work agreements shall be delivered to the Engineer and Owner prior to any work beginning on the affected property.
31. **Lights, Signs and Barricades:** Lights, signs and barricades shall be used to maintain traffic and safety for vehicular and pedestrian traffic during the course of this contract and shall be the sole responsibility of the Contractor.
32. **Foreign Corporation and Contractors:**

Foreign Corporations

Definition: "Foreign Corporation" means a corporation incorporated under the laws of another state. No contract shall be entered into with a foreign corporation until the Secretary of State has certified that such corporation is authorized to do business in Ohio:

and until, if the bidder so awarded the Contract is a person or partnership, it has filed with the Secretary of State a Power of Attorney designating the Secretary of State as its agent for the purpose of accepting service of summons in any action brought under Ohio Revised Code, Section 153.05 or under Sections 4123.01 to 4123.94, inclusive.

33. **Subcontracts:** Contractor shall provide an explanation as part of its bid package of all subcontractors intended to be used in performance of the work described in Part II, Section D. In the event the Owner does not object, Contractor may have such work performed by a subcontractor. Contractor shall bind every subcontractor to, and every subcontractor must agree to be bound by the terms of, the Contract, as far as applicable to the subcontractor's work particularly pertaining to Prevailing Wages and EEO requirements. Nothing contained in the Agreement shall create any contractual relationship between any subcontractors and Owner, nor create any obligations on the part of the Owner to pay or see to the payment of any sums to any subcontractor.
34. **Real and/or Personal Property Tax Affidavit:** All bidders must complete the Real and/or Personal property tax affidavit (Section I) and submit with your bid. ***This section should be fully completed whether or not you as a vendor/contractor own property in Warren County, Ohio.***
35. **Description of Project:**
See Section M
36. **Scope of Work:** Provide all work as required by Contract and described in the Specifications herein (Section M) as necessary to provide for project completion.
37. **Required Forms:** Each Bidder shall complete and submit the following forms with his/her bid:
Proposal Price (Bid) Sheet
Exception Sheet
Bidder Identification
Non-Collusion Affidavit
Bid Guaranty & Contract Bond
Experience Statement
Affidavit of Non-Delinquency of Taxes
Certificate of Compliance Non-Discrimination and Equal Employment Opportunity
Affidavit
Findings for Recovery Affidavit
38. The successful Contractor may be required, at the request of the Owner, to submit a list of sub-contractors and suppliers for said project.
39. **Additional Obligations Upon Contact Award:** Upon award of the bid but prior to execution of the Contract and Notice to Proceed, the Contractor shall submit all of the following documents, completed as required:
1) Contract
2) Required Bonds
3) Payment Draw Schedule (Required for Projects of \$500,000 or more)
4) Certificates of Insurance
40. ***Entire bid packet must be completed (except contract – Section F) and returned with bid proposal, as the entire bid packet becomes part of the contract documents.***

41. **STATEMENT: Do not submit confidential documents or documents of any type that contain trade secrets. All materials submitted become public records once opened and may be copied upon request to anybody including competitive bidders.**



CERTIFICATE OF LIABILITY INSURANCE

DATE (MM/DD/YYYY)

THIS CERTIFICATE IS ISSUED AS A MATTER OF INFORMATION ONLY AND CONFERS NO RIGHTS UPON THE CERTIFICATE HOLDER. THIS CERTIFICATE DOES NOT AFFIRMATIVELY OR NEGATIVELY AMEND, EXTEND OR ALTER THE COVERAGE AFFORDED BY THE POLICIES BELOW.

IMPORTANT: If the certificate holder is an ADDITIONAL INSURED, the policy(ies) must be endorsed. If SUBROGATION IS WAIVED, subject to the terms and conditions of the policy, certain policies may require an endorsement.

PRODUCER: Insurance Agency Name & Address. CONTACT NAME: Insurance Agent Contact. PHONE (A/C, No, Ext):. FAX (A/C, No):. E-MAIL ADDRESS:. INSURER(S) AFFORDING COVERAGE. NAIC #. INSURER A: Insurance Company A. INSURER B: Insurance Company B. INSURER C: Insurance Company C. INSURER D: Insurance Company D. INSURER E: Insurance Company E. INSURER F: Insurance Company F.

COVERAGES CERTIFICATE NUMBER: REVISION NUMBER:

THIS IS TO CERTIFY THAT THE POLICIES OF INSURANCE LISTED BELOW HAVE BEEN ISSUED TO THE INSURED NAMED ABOVE FOR THE POLICY PERIOD INDICATED. NOTWITHSTANDING ANY REQUIREMENT, TERM OR CONDITION OF ANY CONTRACT OR OTHER DOCUMENT WITH RESPECT TO WHICH THIS CERTIFICATE MAY BE ISSUED OR MAY PERTAIN, THE INSURANCE AFFORDED BY THE POLICIES DESCRIBED HEREIN IS SUBJECT TO ALL THE TERMS, EXCLUSIONS AND CONDITIONS OF SUCH POLICIES. LIMITS SHOWN MAY HAVE BEEN REDUCED BY PAID CLAIMS.

Table with columns: INSR LTR, TYPE OF INSURANCE, ADDL SUBR INSD WVD, POLICY NUMBER, POLICY EFF (MM/DD/YYYY), POLICY EXP (MM/DD/YYYY), LIMITS. Rows include Commercial General Liability, Automobile Liability, Umbrella Liab, and Workers Compensation and Employers' Liability.

DESCRIPTION OF OPERATIONS / LOCATIONS / VEHICLES (ACORD 101, Additional Remarks Schedule, may be attached if more space is required) Board of Warren County Commissions are listed as additional insureds with respects to the General Liability for ongoing and completed operations as per attached CG 2010 10/01 and CG 2037 10/01.

CERTIFICATE HOLDER: Board of Warren County Commissioners, 406 Justice Drive, Lebanon, OH 45036. CANCELLATION: SHOULD ANY OF THE ABOVE DESCRIBED POLICIES BE CANCELLED BEFORE THE EXPIRATION DATE THEREOF, NOTICE WILL BE DELIVERED IN ACCORDANCE WITH THE POLICY PROVISIONS. AUTHORIZED REPRESENTATIVE. INSURANCE AGENTS SIGNATURE.

POLICY NUMBER:

**COMMERCIAL GENERAL LIABILITY
CG 20 10 10 01**

THIS ENDORSEMENT CHANGES THE POLICY. PLEASE READ IT CAREFULLY.

**ADDITIONAL INSURED – OWNERS, LESSEES OR
CONTRACTORS – SCHEDULED PERSON OR
ORGANIZATION**

This endorsement modifies insurance provided under the following:

COMMERCIAL GENERAL LIABILITY COVERAGE PART

SCHEDULE

Name of Person or Organization:

Board of Warren County Commissioners
406 Justice Drive, Lebanon, OH 45036

(If no entry appears above, information required to complete this endorsement will be shown in the Declarations as applicable to this endorsement.)

A. Section II – Who Is An Insured is amended to include as an insured the person or organization shown in the Schedule, but only with respect to liability arising out of your ongoing operations performed for that insured.

B. With respect to the insurance afforded to these additional insureds, the following exclusion is added:

2. Exclusions

This insurance does not apply to "bodily injury" or "property damage" occurring after:

- (1) All work, including materials, parts or equipment furnished in connection with such work, on the project (other than service, maintenance or repairs) to be performed by or on behalf of the additional insured(s) at the site of the covered operations has been completed; or
- (2) That portion of "your work" out of which the injury or damage arises has been put to its intended use by any person or organization other than another contractor or subcontractor engaged in performing operations for a principal as a part of the same project.

****SAMPLE****

POLICY NUMBER:

**COMMERCIAL GENERAL LIABILITY
CG 20 37 10 01**

THIS ENDORSEMENT CHANGES THE POLICY. PLEASE READ IT CAREFULLY.

**ADDITIONAL INSURED – OWNERS, LESSEES OR
CONTRACTORS – COMPLETED OPERATIONS**

This endorsement modifies insurance provided under the following:

COMMERCIAL GENERAL LIABILITY COVERAGE PART

SCHEDULE

Name of Person or Organization: Board of Warren County Commissioners 406 Justice Drive Lebanon, OH 45036
Location And Description of Completed Operations:
Additional Premium:

(If no entry appears above, information required to complete this endorsement will be shown in the Declarations as applicable to this endorsement.)

Section II – Who Is An Insured is amended to include as an insured the person or organization shown in the Schedule, but only with respect to liability arising out of "your work" at the location designated and described in the schedule of this endorsement performed for that insured and included in the "products-completed operations hazard".

POLICY NUMBER:

COMMERCIAL GENERAL LIABILITY
CG 25 03 03 97

THIS ENDORSEMENT CHANGES THE POLICY. PLEASE READ IT CAREFULLY.

DESIGNATED CONSTRUCTION PROJECT(S) GENERAL AGGREGATE LIMIT

This endorsement modifies insurance provided under the following:

COMMERCIAL GENERAL LIABILITY COVERAGE PART

SCHEDULE

Designated Construction Projects:

(If no entry appears above, information required to complete this endorsement will be shown in the Declarations as applicable to this endorsement.)

- A. For all sums which the insured becomes legally obligated to pay as damages caused by "occurrences" under COVERAGE A (SECTION I), and for all medical expenses caused by accidents under COVERAGE C (SECTION I), which can be attributed only to ongoing operations at a single designated construction project shown in the Schedule above:
 - 1. A separate Designated Construction Project General Aggregate Limit applies to each designated construction project, and that limit is equal to the amount of the General Aggregate Limit shown in the Declarations.
 - 2. The Designated Construction Project General Aggregate Limit is the most we will pay for the sum of all damages under COVERAGE A, except damages because of "bodily injury" or "property damage" included in the "products-completed operations hazard", and for medical expenses under COVERAGE C regardless of the number of:
 - a. Insureds;
 - b. Claims made or "suits" brought; or
 - c. Persons or organizations making claims or bringing "suits".
 - 3. Any payments made under COVERAGE A for damages or under COVERAGE C for medical expenses shall reduce the Designated Construction Project General Aggregate Limit for that designated construction project. Such payments shall not reduce the General Aggregate Limit shown in the Declarations nor shall they reduce any other Designated Construction Project General Aggregate Limit for any other designated construction project shown in the Schedule above.
- 4. The limits shown in the Declarations for Each Occurrence, Fire Damage and Medical Expense continue to apply. However, instead of being subject to the General Aggregate Limit shown in the Declarations, such limits will be subject to the applicable Designated Construction Project General Aggregate Limit.
- B. For all sums which the insured becomes legally obligated to pay as damages caused by "occurrences" under COVERAGE A (SECTION I), and for all medical expenses caused by accidents under COVERAGE C (SECTION I), which cannot be attributed only to ongoing operations at a single designated construction project shown in the Schedule above:
 - 1. Any payments made under COVERAGE A for damages or under COVERAGE C for medical expenses shall reduce the amount available under the General Aggregate Limit or the Products-Completed Operations Aggregate Limit, whichever is applicable; and
 - 2. Such payments shall not reduce any Designated Construction Project General Aggregate Limit.
- C. When coverage for liability arising out of the "products-completed operations hazard" is provided, any payments for damages because of "bodily injury" or "property damage" included in the "products-completed operations hazard" will reduce the Products-Completed Operations Aggregate Limit, and not reduce the General Aggregate Limit nor the Designated Construction Project General Aggregate Limit.

****SAMPLE****

D. If the applicable designated construction project has been abandoned, delayed, or abandoned and then restarted, or if the authorized contracting parties deviate from plans, blueprints, designs, specifications or timetables, the project will still be deemed to be the same construction project.

E. The provisions of Limits Of Insurance (SECTION III) not otherwise modified by this endorsement shall continue to apply as stipulated.

SECTION C

NONCOLLUSION AFFIDAVIT

NONCOLLUSION AFFIDAVIT

State of _____

BID Identification _____

CONTRACTOR _____, being first duly sworn, deposes and says that he/she is _____ (sole owner, a partner, president, secretary, etc.) of _____, the party making the foregoing BID; that such BID is not made in the interest of or on behalf of any undisclosed person, partnership, company, association, organization, or corporation; that such BID is genuine and not collusive or sham; that said BIDDER has not directly or indirectly colluded, conspired, connived or agreed with any BIDDER or any one else to put in a sham BID, or that any one shall refrain from Bidding; that said BIDDER has not in any manner, directly or indirectly, sought by agreement, communication or conference with any one to fix the BID price of said BIDDER or of any other BIDDER, or to fix any overhead, profit, or cost element of such BID price, or of that of any other BIDDER, or to secure any advantage against the OWNER awarding the contract or anyone interested in the proposed contract; that all statement contained in such BID are true; and, further, that said BIDDER has not, directly or indirectly, submitted his/her BID price or any breakdown thereof, or the contents thereof, or divulged information or data relative thereto, or paid and will not pay any fee in connection therewith, to any corporation, partnership, company, association, organization, BID depository, or to any member or agent thereof, or to any other individual except to such person or persons who have a partnership or other financial interest with said BIDDER in his/her general business.

Signed:

Subscribed and sworn to before
me this ____ day of _____, 2019.

Seal of Notary

SECTION D

BID GUARANTY AND CONTRACT BOND

BID GUARANTY AND CONTRACT BOND

KNOW ALL MEN BY THESE PRESENTS, that we, the undersigned,

(Insert full name or legal title of Contractor and Address)

as _____ Principal _____ and

(Insert full name or legal title of Surety)

as Surety, are hereby held and firmly bound unto the Warren County Board of Commissioners hereinafter called the Oblige, in the penal sum of the dollar amount of the bid submitted by the Principal to the Oblige on _____ to undertake the project known as:

**SOCIALVILLE-FOSTERS ROAD BRIDGE #32-5.14 REHABILITATION AND
RETAINING WALL REPLACEMENT PROJECT**

The penal sum referred to herein shall be the dollar amount of the Principal's bid to the Oblige, incorporating any additive or deductive alternate proposals made by the Principal on the date referred to above to the Oblige, which are accepted by the Oblige, In no case shall the penal sum exceed the amount of _____ DOLLARS, \$_____.

If this item is left blank, the penal sum will be the full amount of the Principal's bid, including alternates. Alternatively, if completed, the amount stated must not be less than the full amount of the bid, including alternates in dollars and cents. A percentage is not acceptable.

For the payment of the penal sum well and truly to be made we hereby jointly and severally bind ourselves, our heirs, executors, administrators, successors, and assigns.

THE CONDITION OF THE ABOVE OBLIGATION IS SUCH that whereas the above named Principal has submitted a bid on the above referred to project;

NOW, THEREFORE, if the Oblige accepts the bid of the Principal and the Principal fails to enter into a proper contract in accordance with the bid, plans, details, specifications, and bills of material; and in the event the Principal pays to the Oblige the difference not to exceed ten percent of the penalty hereof between the amount specified in the bid and such larger amount for which the Oblige may in good faith contract with the next lowest bidder to perform the work covered by the bid; or in the event the Oblige does not award the contract to the next lowest bidder and resubmits the project for bidding, the Principal will pay the Oblige the difference not to exceed ten percent of the penalty hereof between the amount specified in the bid, or the costs, in connection with the resubmission, of printing new contract documents, required advertising, and printing and mailing notices to prospective bidders, whichever is less, then this obligation shall be null and void, otherwise to remain in full force and effect. If the Oblige accepts the bid of the Principal and within TEN days after the awarding of the contract, enters into a proper contract in accordance with the bid, plans, details, specifications, and bills of material, which said contract is made a part of this bond the same as though set forth herein; and

IF THE SAID PRINCIPAL SHALL well and faithfully perform each and every condition of such contract; and indemnify the Oblige against all damage suffered by failure to perform such contract according to the provisions thereof and in accordance with the plans, details, specifications, and bills of material therefore; and shall pay all lawful claims of subcontractors, materialmen, and laborers, for labor performed and materials furnished in the carrying forward, performing, or completing of

said contract: we agreeing and assenting that this undertaking shall be for benefit of any materialman or laborer having a just claim, as well as for the Obligee herein; **THEN THIS OBLIGATION SHALL** be void; otherwise the same shall remain in full force and effect; it being expressly understood and agreed that the liability of the Surety for any and all claims hereunder shall in no event exceed the penal amount of this obligation as herein stated.

THE SAID surety hereby stipulates and agrees that no modifications, omissions, or additions, in or to the terms of said contract or in or to the plans and specifications therefor shall in any wise affect the obligations of said surety on its bond, and it does hereby waive notice of any such modifications, omissions or additions to the terms of the contract or to the work or to the specifications.

SIGNED AND SEALED this _____ day of _____ 2019.

PRINCIPAL

SURETY

By: _____

By: _____

Attorney-in-fact

Title: _____

Surety Agent's Name and Address:

SECTION E

PERFORMANCE BOND

PERFORMANCE BOND

KNOW ALL MEN BY THESE PRESENTS: that

(Name of Contractor)

(Address of Contractor)

a _____, hereinafter called
(Corporation, Partnership or Individual)

Principal,

and

(Name of Surety)

(Address of Surety)

hereinafter called Surety, are held and firmly bound unto

WARREN COUNTY, OHIO BOARD OF COMMISSIONERS
406 Justice Drive
Lebanon, OH 45036

hereinafter called OWNER, in the penal sum of _____ Dollars, \$(_____) in lawful money of the United States, for the payment of which sum well and truly to be made, we bind ourselves, successors, and assigns, jointly and severally, firmly by these presents.

THE CONDITION OF THIS OBLIGATION is such that whereas, the Principal entered into a certain contract with the OWNER, dated the _____ day of _____, 2019, a copy of which is hereto attached and made a part hereof for the construction of:

NOW, THEREFORE, if the Principal shall well, truly and faithfully perform its duties, all the undertakings, covenants, terms, conditions, and agreements of said contract during the original term thereof, and any extensions thereof which may be granted by the OWNER, with or without notice to the Surety and during the guaranty period(s), and if he/she shall satisfy all claims and demands incurred under such contract, and shall fully indemnify and save harmless the OWNER from all costs and damages which it may suffer by reason of failure to do so, and shall reimburse and repay the OWNER all outlay and expense which the OWNER may incur in making good any default, then this obligation shall be void; otherwise to remain in full force and effect.

PROVIDED, FURTHER, that the said surety, for value received, hereby stipulates and agrees that no change, extension of time, alteration or addition of the terms of the contract or the WORK to be performed thereunder or the SPECIFICATIONS accompanying the same shall in any way affect its obligation on this BOND, and it does hereby waive notice of any such change, extension of time, alteration or addition to the terms of the contract or to the WORK or to the SPECIFICATIONS.

PROVIDED, FURTHER, that no final settlement between the OWNER and the CONTRACTOR shall abridge the right of any beneficiary hereunder, whose claim may be unsatisfied.

IN WITNESS WHEREOF, this instrument is executed in counterparts, each one of which shall be deemed an original, this the _____ day of _____ 2019.

ATTEST:

(Principal)

(SEAL)

By _____

ATTEST:

(SEAL)

(Surety)

IMPORTANT: Pursuant to Ohio Revised Code §122.87(A) a surety company is defined as, “. . . a company that is authorized by the department of insurance to issue bonds as a surety”.

SECTION F

CONTRACT

CONTRACT

THIS AGREEMENT, made this _____ day of _____, 2019, with the Warren County Board of Commissioners, 406 Justice Drive, Lebanon, Ohio hereinafter called "Owner" and **CONTRACTOR NAME AND ADDRESS HERE** doing businesses as (an individual, partner, a corporation) hereinafter called "Contractor."

WITNESSETH: That for and in consideration of the payments and agreements hereinafter mentioned, to be made and performed by the Owner, the Contractor hereby agrees with the Owner to commence and complete the construction described as follows:

**SOCIALVILLE-FOSTERS ROAD BRIDGE #32-5.14 REHABILITATION AND
RETAINING WALL REPLACEMENT PROJECT**

hereinafter called the project, for the sum of \$**ENTER AMOUNT AND WRITE IT OUT HERE**, and all work in connection therewith, under the terms as stated in the Conditions of the Contract; and as his/her (its or their) own proper cost and expense furnish all the materials, supplies, machinery, equipment, tools, superintendence, labor insurance, and other accessories and services necessary to complete the said project in accordance with the conditions and prices stated in the Proposal, Conditions of the Contract, the Specifications and Contract Documents. "Contract Documents" means and includes the following:

- Proposal Price (Bid) Sheet
- Exception Sheet
- Bidder Identification
- A) Invitation to Bidders
- B) General Instruction to Bidders
- C) Noncollusion Affidavit
- D) Bid Guaranty & Contract Bond
- E) Performance Bond
- F) Contract
- G) Bonding & Insurance Requirements
- H) Experience Statement
- I) Affidavit of Non-Delinquency of Real and/or Personal Property Tax
- J) Equal Employment Opportunity Requirements, Bid Conditions and Non-discrimination and Equal Employment Opportunity Affidavit
- K) Findings for Recovery Affidavit Wage Rate Determination
- L) Wage Rate Determination
- M) Special Provision/Technical Specifications

The CONTRACTOR hereby agrees to commence work under this contract on or before a date to be specified in a Written "Notice to Proceed" of the OWNER, and to fully complete the project is 8 weeks after the written notice-to-proceed has been issued and a preconstruction meeting has been held. The Contractor further agrees to pay, as liquidated damages, the sum of \$108.07 for each consecutive calendar day thereafter.

This Agreement may be terminated by either party upon written notice in the event of substantial failure by the other party to perform in accordance with the terms of this Agreement. The nonperforming party shall have fifteen calendar days from the date of the termination notice to cure or to submit a plan for cure acceptable to the other party.

OWNER may terminate or suspend performance of this Agreement for OWNER'S convenience upon a written notice to CONTRACTOR. CONTRACTOR shall terminate or suspend performance of the services/work on a schedule acceptable to OWNER.

The CONTRACTOR will indemnify and save the OWNER, their officers and employees, harmless from loss, expenses, costs, reasonable attorneys fees, litigation expenses, suits at law or in equity, causes of action, actions, damages, and obligations arising from (a) negligent, reckless or willful and wanton acts, errors or omissions by CONTRACTOR, its agents, employees, licensees, consultants or subconsultants; (b) the failure of the CONTRACTOR, its agents, employees, licensees, consultants or subconsultants to observe the applicable standard of care providing services pursuant to this agreement; (c) the intentional misconduct of the CONTRACTOR, its agents, employees, licensees, consultants or subconsultants that result in injury to persons or damage to property for which the OWNER may be held legally liable.

The CONTRACTOR does hereby agree to indemnify and hold the OWNER harmless for any and all sums for which the OWNER may be required to pay or for which the OWNER may be held responsible for failure of the CONTRACTOR or any subcontractor to pay the prevailing wage upon this project.

The OWNER agrees to pay the CONTRACTOR in the manner and at such times as set forth in the General Provisions such amounts as required by the Contract Documents.

This Agreement shall be binding upon all parties hereto and their respective heirs, executors, administrators, successors, and assigns.

Contractor shall bind every subcontractor to, and every subcontractor must agree to be bound by the terms of, this Agreement, as far as applicable to the subcontractor's work particularly pertaining to Prevailing Wages and EEO requirements. Nothing contained in this Agreement shall create any contractual relationship between any subcontractor and Owner, nor create any obligations on the part of the Owner to pay or see to the payment of any sums to any subcontractor.

IN WITNESS WHEREOF, the parties hereto have executed, or caused to be executed by their duly authorized officials, this Agreement in two counterparts, each of which shall be deemed an original on the date first above written.

WARREN COUNTY BOARD OF COMMISSIONERS
(Owner)

Shannon Jones, President

ATTEST:

David G. Young

Name

Tom Grossmann

(Seal)

ATTEST:

ENTER CONTRACTOR NAME HERE
(Contractor)

By:

Name and Title

Approved as to Form:

Assistant Prosecutor

SECTION G

BONDING AND INSURANCE REQUIREMENTS

BONDING AND INSURANCE REQUIREMENTS

A state or local unit of government receiving a grant from the federal government which requires contracting for construction of facility improvement shall follow its own requirements relating to bid guarantees, performance bonds, and payment bonds, except for contracts or subcontracts exceeding \$100,000. For contracts or subcontracts exceeding \$100,000, the Federal agency may accept the bonding policy and requirements of the grantee provided the Federal agency has made a determination that the Government's interest is adequately protected. If such a determination has not been made, the minimum requirements shall be as follows:

- a. **A bid guaranty from each bidder.** The "bid guaranty" shall consist of a firm commitment such as a bid bond in the amount of one hundred (100) percent of the bid price, or ten (10) percent of the bid price if certified check or other negotiable instrument accompanying a bid, as assurance the bidder will, upon acceptance of his/her bid, execute such contractual documents as may be required within the time specified.

- b. **A performance bond on the part of the Contractor for 100 percent of the contract price.** A "performance bond" is one executed in connection with a contract to secure fulfillment of all the contractor's obligations under such contract.

SECTION H

EXPERIENCE STATEMENT

EXPERIENCE STATEMENT

The Bidder is required to state in detail in the space provided below, what work he/she has done of a character similar to that included in the proposed contract, to give references and such other detailed information as will enable the Owner to judge of his/her responsibility, experience, skill and financial standing. Among other things, this statement shall include the following:

A record of similar work performed and evidence to the effect:

- (1) That the Bidder maintains a permanent place of business;
- (2) Has adequate facilities and equipment available for the work under the proposed contract;
- (3) That the Bidder has suitable financial means to meet obligations incidental to the work;
- (4) That the Bidder has appropriate technical experience and possesses sufficient skill and experience.

SECTION I

***AFFIDAVIT OF NON-DELINQUENCY OF REAL
AND/OR PERSONAL PROPERTY TAX***

THIS SECTION SHOULD BE FULLY COMPLETED WHETHER OR NOT YOU AS A VENDOR/CONTRACTOR OWN PROPERTY IN WARREN COUNTY, OHIO.

AFFIDAVIT

STATE OF _____)

SS:

COUNTY OF _____)

_____ being duly cautioned and sworn, states as follows:

1. That he/she is _____ of
(Title)

(Name of Contracting Party)

2. That _____ is not presently
(Name of Contracting Party)
charged with any delinquent Real and/or Personal property taxes on the general tax list of Real and/or Personal property of Warren County.

-OR-

1. That _____ is charged with
(Name of Contracting Party)

delinquent Real and/or Personal property tax on the general tax list of Real and/or Personal property of Warren County. The amount of delinquent Real and/or Personal property tax due and unpaid including any due and unpaid penalty and interest is:
\$ _____

Further, affiant states not.

Affiant

Sworn to and subscribed in my presence this ____ day of _____ 2019.

Notary Public

This instrument was prepared by _____.

Note to Fiscal Office: If any Real and/or Personal property taxes are delinquent, you must send a copy of this statement to the County Treasurer within 30 days of the date it is submitted.

WARNING: MAKING A FALSE STATEMENT ON THIS AFFIDAVIT MAY BE PUNISHABLE BY A FINE AND/OR IMPRISONMENT

SECTION J

***EQUAL EMPLOYMENT OPPORTUNITY REQUIREMENTS,
BID CONDITIONS AND
NON-DISCRIMINATION AND EQUAL
EMPLOYMENT OPPORTUNITY AFFIDAVIT***

**EQUAL EMPLOYMENT OPPORTUNITY REQUIREMENTS
AND BID CONDITIONS FOR
WARREN COUNTY CONSTRUCTION PROJECTS**

CERTIFICATE OF COMPLIANCE FOR EEO PURPOSES: (This section applies only to projects that are funded with Federal and State monies)

All bidders on the project **shall** submit together with their bid, a copy of a valid Certificate of Compliance for Equal Employment Opportunity purposes contained herein.

A copy of the Certificate of Compliance is enclosed with this bid response? Yes No

BIDDER'S EEO COVENANTS:

Throughout its performance of any contract awarded to it on this project, the bidder agrees to the following covenants:

1. The contractor will not discriminate against any employee or applicant for employment because of race, color, religion, national origin, ancestry or sex. The contractor will take affirmative action to ensure that applicants are employed, and that employees are treated during employment without regard to their race, color, religion, national origin, ancestry or sex. Such action shall include, but is not limited to, the following: Employment, upgrading, demotion, or transfer; recruitment or recruitment advertising; layoff or termination; rates of pay or other forms of compensation; and selection for training, including apprenticeship.

The contractor agrees to post in conspicuous places, available to employees and applicants for employment, notices to be provided setting forth the provisions of this nondiscrimination clause.

2. The contractor will in all solicitations or advertisements for employees placed by or on behalf of the prime contractor, state that all qualified applicants will receive consideration for employment without regard to race, color, religion, national origin, ancestry or sex.
3. The contractor agrees to fully cooperate with the County, the State Equal Employment Opportunity Coordinator and with any other official or agency, or the State or Federal government which seeks to eliminate unlawful employment discrimination, and with all other State and Federal efforts to assure equal employment practices under its contract and the contractor shall comply promptly with all requests and directions from the County, the State Equal Opportunity Coordinator and any of the State of Ohio officials and agencies in this regard, both before and during construction.
4. Full cooperation as expressed in clause (3), above, shall include, but not be limited to, being a witness and permitting employees to be witnesses and complainants in any proceedings involving questions of unlawful employment practices, furnishing all information requested by the County and the State Equal Employment Opportunity Coordinator, and permitting access to its books, records, and accounts by the County and the State Equal Employment Opportunity Coordinator for purposes of investigation to ascertain compliance with applicable rules, regulations and orders.
5. In the event of the contractor's noncompliance with the nondiscrimination clauses of its contract or with any of the said rules, regulations, or orders, its contract may be canceled,

terminated, or suspended in whole or in part and the contractor may be declared ineligible for further County construction contracts.

In the event that is contract is terminated for a material breach of EEO requirements, the contractor shall become liable for any and all damages which shall accrue to the County as a result of said breach.

6. The contractor will require the inclusion of language reflecting these same six covenants within every subcontract or purchase order it executes in the performance of its contract unless exempted by rules, regulations or orders of the State Equal Employment Opportunity Coordinator so that these provisions will be binding upon each subcontractor or vendor. The contractor will take such as the County may direct as a means of enforcing such provisions, including sanctions for noncompliance; provided, however, that in any litigation with a subcontractor, vendor or other party as a result of such direction by the County, the contractor may be requested to protect the interests of the County.

The bidder hereby adopts the foregoing covenants?

_____ Yes _____No

PLEASE NOTE: *The bidder's failure to adopt the Bidder's EEO Covenants and complete the foregoing certification will cause the bidder's proposal to be rejected as being non-responsive.*

**CERTIFICATE OF COMPLIANCE
NON-DISCRIMINATION AND EQUAL EMPLOYMENT OPPORTUNITY AFFIDAVIT
(SUB CONTRACTOR)**

STATE OF _____)
) SS:
COUNTY OF _____)

_____ being first duly sworn, deposes and

says that he _____ of

the party who made the foregoing proposal; that such party as bidder does not and shall not discriminate against any employee or applicant for employment because of race, religion, color, sex, or national origin. If awarded the bid and contract under this proposal, said party shall take affirmative action to insure that applicants are employed and that employees are treated, during employment, without regard to their race, religion, color, sex, or national origin. If successful as the lowest and best bidder under the foregoing proposal, this party shall post non-discrimination notices in conspicuous places available to employees and applicants for employment setting forth the provisions of this affidavit.

Furthermore, said party agrees to abide by the assurances found in Section 153.54 of the Ohio Revised Code in the Contract Provisions with the Owner if selected as the successful bidder by the Owner.

Signature

Affiant

Company/Corporation

Address

City/State/Zip Code

Sworn to and subscribed before me this _____ day of _____, 2019.

Notary

(seal)

SECTION K

FINDINGS FOR RECOVERY AFFIDAVIT

FINDINGS FOR RECOVERY AFFIDAVIT

STATE OF _____
COUNTY OF _____, SS:

_____, upon being duly cautioned and sworn, hereby states the following based on personal knowledge:

1) That he/she is _____ (title), of _____ (name of bidder) and authorized to execute this affidavit; and,

2) That _____ (name of bidder) is not a person or entity against whom a finding for recovery has been issued by the Auditor of State, which finding for recovery is unresolved as defined in Ohio Revised Code [General Provisions] Section 9.24 (B); and,

3) That _____ (name of bidder) does not appear in the database of unresolved findings of recovery maintained by the Auditor of State pursuant to Ohio Revised Code [General Provisions] Section 9.24 (D).

Affiant

Sworn to and subscribed in my presence this _____ day of _____, 2019.

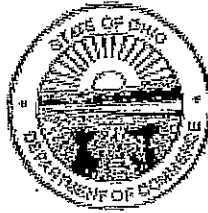
Notary Public
My Commission expires: _____

SECTION L

WAGE RATE DETERMINATION

John R. Kasich
Governor

Jacqueline T. Williams
Director



The Ohio Department of Commerce
Division of Industrial Compliance and Labor
Bureau of Labor and Worker Safety
6606 Tussing Road, PO Box 4009
Reynoldsburg, Ohio 43068-9009
614-644-2223
<http://www.com.ohio.gov>

PREVAILING WAGE PACKET

This packet of information is provided as a summary of the Prevailing Wage guidelines and responsibilities. The Ohio Revised Code, Chapter 4115 should be referred to for the exact words of the law. Also included are references and forms which should be helpful in the compliance of the Prevailing Wage Law.

PACKET INFORMATION INDEX

- A. The Ohio Department of Commerce – Division of Industrial Compliance, Wage and Hour Administration Investigators and their assigned counties
 - 1. The Wage and Hour Investigators for the State of Ohio are listed with their contact information
 - a. If you have questions or need assistance pertaining to Prevailing Wage, you can contact the Investigator in your area
- B. Prevailing Wage Guide for Public Authorities
 - 1. Notice of change of the Prevailing Wage Threshold Level
 - a. A notification will be sent to you when there is a change of the Prevailing Wage threshold level
 - 2. Outline of the Public Authority's responsibilities for Prevailing Wage
 - 3. Public Authority's Compliance Checklist form
 - a. A form for tracking the progress of a Prevailing Wage project
 - 4. Request form for Prevailing Wage Rates
 - a. PW Rates can be obtained on the website www.com.ohio.gov
 - 1. Prevailing Wage Determination Schedule of wages must be attached to and made part of the specifications for the project, and must be printed on the bidding blanks where the work is done by contract
 - 5. Bid Tabulation form
 - a. A form to be completed and returned to ODOC-DIC-Bureau of Wage and Hour Administration when the contract has been awarded
 - 6. Prevailing Wage Bonds form
 - a. Information needed to be kept on file by the PW Coordinator when bonds from the Public Authority are used for a project
- C. Prevailing Wage Guidelines for the Public Authority's Coordinator
 - 1. Guideline for the Prevailing Wage Coordinator
 - a. The Prevailing Wage complaint form and instructions can be obtained on the website www.com.ohio.gov
 - 2. Record of the Certified Payroll Reports Received form
 - a. Helpful form for recording the Certified Payroll Reports and the dates received from the contractors and subcontractors
 - 3. Employee Interview form
 - a. Helpful form for the use by the PW Coordinator when making on-site visits
 - 4. Employee vs. Independent Contractor
 - a. Helpful questions when determining if a person is an Employee or an Independent Contractor
- D. Prevailing Wage Guide for Contractors
(Incorporate this section in the Specs. or supply copies for the pre-construction meeting)
 - 1. Outline of responsibilities for the Prevailing Wage Contractor
 - 2. Notification form from the Contractor to the Employee
 - a. The contractor must submit to employees a completed and signed notification form
 - b. Some PW Coordinators may require a copy of the completed Notification to the Employee form be submitted with the Certified Payroll Reports
 - 3. Certified Payroll Report form
 - a. The contractor can use any form/format he chooses as long as ALL the information has been provided
 - 4. Certified Payroll Report form instruction sheet
 - 5. Corrected Certified Payroll Report Example
 - 6. Affidavit of Compliance form
 - a. No Public Authority shall make final payment unless the Final Affidavits have been filed by the contractors and subcontractors



John R. Kasich
Governor

Jacqueline T. Williams
Director

INVESTIGATORS CONTACT INFORMATION

OHIO DEPARTMENT OF COMMERCE
Division of Industrial Compliance
Bureau of Wage and Hour Administration
6606 Tussing Road, PO Box 4009
Reynoldsburg, Ohio 43068-9009
Phone: 614-644-2239
Fax: 614-728-8639
www.com.ohio.gov
TTY/TDD: 1-800-750-0750

The Ohio Department of Commerce is an Equal Opportunity Employer and Service Provider



**Department
of Commerce**

Division of Industrial Compliance

John R. Kasich, Governor
Jacqueline T. Williams, Director

Bureau of Wage and Hour Administration
8606 Tussing Road - PO Box 4009
Reynoldsburg, OH 43608-9009
Phone 614-644-2239 | Fax 614-728-8639
TTY/TDD 800-750-0750

com.ohio.gov

An Equal Opportunity Employer and Service Provider

PREVAILING WAGE CONTRACTOR RESPONSIBILITIES

This is a summary of prevailing wage contractors' responsibilities. For more detailed information please refer to Chapter 4115 of the Ohio Revised Code

General Information

Ohio's prevailing wage laws apply to all public improvements financed in whole or in part by public funds when the total overall project cost is fairly estimated to be more than \$250,000 for new construction or \$75,000 for reconstruction, enlargement, alteration, repair, remodeling, renovation, or painting.

Ohio's prevailing wage laws apply to all public improvements financed in whole or in part by public funds when the total overall project cost is fairly estimated to be more than \$91,150 for new construction that involves roads, streets, alleys, sewers, ditches and other works connected to road or bridge construction or \$27,309 for reconstruction, enlargement, alteration, repair, remodeling, renovation, or painting of a public improvement that involves roads, streets, alleys, sewers, ditches and other works connected to road or bridge construction.

- a) Thresholds are to be adjusted biennially by the Administrator of Ohio Department of Commerce, Division of Industrial Compliance and Labor, Bureau of Wage and Hour Administration
- b) Biennial adjustments to threshold levels are made according to the Price Deflator for Construction Index, United States Department of Commerce, Bureau of the Census*, but may not increase or decrease more than 3% for any year

Penalties for violation

Violators are to be assessed the wages owed, plus a penalty of 100% of the wages owed.

Intentional Violations

If an intentional violation is determined to have occurred, the contractor is prohibited from contracting directly or indirectly with any public authority for the construction of a public improvement. Intentional violation means "a willful, knowing, or deliberate disregard for any provision" of the prevailing wage law and includes but is not limited to the following actions:

- Intentional failure to submit payroll reports as required, or knowingly submitting false or erroneous reports.
- Intentional misclassification of employees for the purpose of reducing wages.
- Intentional misclassification of employees as independent contractors or as apprentices.
- Intentional failure to pay the prevailing wage.
- Intentional failure to comply with the allowable ratio of apprentices to skilled workers as required by the regulations established by Ohio Department of Commerce, Division of Industrial Compliance and Labor, Bureau of Wage and Hour Administration.
- Intentionally employing an officer, of a contractor or subcontractor, that is known to be prohibited from contracting, directly or indirectly, with a public authority.

Responsibilities

- A. Pay the prevailing rate of wages as shown in the wage rate schedules issued by the Ohio Department of Commerce, Division of Industrial Compliance and Labor, Bureau of Wage and Hour Administration, for the classification of work being performed.
 1. Wage rate schedules include all modifications, corrections, escalations, or reductions to wage rates issued for the project.

2. Overtime must be paid at time and one-half the employee's base hourly rate. Fringe benefits are paid at straight time rate for all hours including overtime.
 3. Prevailing wages must be paid in full without any deduction for food, lodging, transportation, use of tools, etc.; unless, the employee has voluntarily consented to these deductions in writing. The public authority and the Director of Ohio Department of Commerce, Division of Industrial Compliance and Labor, Bureau of Wage and Hour Administration - must approve these deductions as fair and reasonable. Consent and approval must be obtained before starting the project.
- B. Use of Apprentices and Helpers cannot exceed the ratios permitted in the wage rate schedules.
1. Apprentices must be registered with the U.S. Department of Labor Bureau of Apprenticeship and Training.
 2. Contractors must provide the Prevailing Wage Coordinator a copy of the Apprenticeship Agreement for each apprentice on the project.
- C. Keep full and accurate payroll records available for inspection by any authorized representative of the Ohio Department of Commerce, Division of Industrial Compliance, and Labor, Bureau of Wage and Hour Administration or the contracting public authority, including the Prevailing Wage Coordinator. Records should include but are not limited to:
1. Time cards, time sheets, daily work records, etc.
 2. Payroll ledger\journals and canceled checks\check register.
 3. Fringe benefit records must include program, address, account number, & canceled checks.
 4. Records made in connection with the public improvement must not be removed from the State for one year following the completion of the project.
 5. Out-of-State Corporations must submit to the Ohio Secretary of State the full name and address of their Statutory Agent in Ohio.
- D. Prevailing Wage Rate Schedule must be posted on the job site where it is accessible to all employees.
- E. Prior to submitting the initial payroll report, supply the Prevailing Wage Coordinator with your project dates to schedule reporting of your payrolls.
- F. Supply the Prevailing Wage Coordinator a list of all subcontractors including the name, address, and telephone number for each.
1. **Contractors are responsible for their subcontractors' compliance with requirements of Chapter 4115 of the Ohio Revised Code.**
- G. Before employees start work on the project, supply them with written notification of their job classification, prevailing wage rate, fringe benefit amounts, and the name of the Prevailing Wage Coordinator for the project. A copy of the completed signed notification should be submitted to Prevailing Wage Coordinator.
- H. Supply all subcontractors with the Prevailing Wage Rates and changes.
- I. Submit certified payrolls within two (2) weeks after the initial pay period. Payrolls must include the following information:
1. Employees' names, addresses, and social security numbers.
 - (a) Corporate officers/owners/partners and any salaried personnel who do physical work on the project are considered employees. All rate and reporting requirements are applicable to these individuals.
 2. Employees' work classification.
 - (a) Be specific about the laborers and/or operators (Group)
 - (b) For all apprentices, show level/year and percent of journeyman's rate
 3. Hours worked on the project for each employee.

- (a) The number of hours worked in each day and the total number of hours worked each week.
 4. Hourly rate for each employee.
 - (a) The minimum rate paid must be the wage rate for the appropriate classification. The Department's Wage Rate Schedule sets this rate.
 - (b) All overtime worked is to be paid at time and one-half for all hours worked more than forty (40) per week.
 5. Where fringes are paid into a bona fide plan instead of cash, list each benefit and amount per hour paid to program for each employee.
 - (a) When the amount contributed to the fringe benefit plan and the total number of hours worked by the employee on all projects for the year are documented, the hourly amount is calculated by dividing the total contribution of the employer by the total number of hours worked by the employee.
 - (b) When the amount contributed to the fringe benefit is documented but not the total hours worked, the hourly amount is calculated by **dividing the total yearly contribution by 2080**.
 6. Gross amount earned on all projects during the pay period.
 7. Total deductions from employee's wages.
 8. Net amount paid.
- J. The reports shall be certified by the contractor, subcontractor, or duly appointed agent stating that the payroll is correct and complete; and that the wage rates shown are not less than those required by the O.R.C. 4115.
- K. Provide a Final Affidavit to the Prevailing Wage Coordinator upon the completion of the project.

OHIO DEPARTMENT OF COMMERCE
Division of Industrial Compliance
Bureau of Wage and Hour Administration
Chief, Stephen Clegg

6606 Tussing Road, PO Box 4009
Reynoldsburg, Ohio 43068-9009
614-644-2239
Fax: 614-728-8639
www.com.ohio.gov

INVESTIGATORS and THEIR ASSIGNED COUNTIES

<p>#48 Dave Horvath PO Box 1512 Lima, Ohio 45802-1512 Voice: (419)302-1200 Fax : (614) 728-8639 Dave.Horvath@com.state.oh.us</p>	<p>Allen *</p>
<p>#30 Mike McKee PO Box 1342 Cambridge, Ohio 43725-2247 Voice: (740) 432-1987 Michael.McKee@com.state.oh.us</p>	<p>Guernsey *</p>
<p>#56 Shawn Miles PO Box 2547 North Canton, Ohio 44720 Voice: (614) 496-9076 Shawn.Miles@com.state.oh.us</p>	<p>Stark *</p>
<p>#37 David Rice PO Box 291843 Kettering, Ohio 45429 Voice: (740) 502-0883, Fax: (614)995-7768 Dave.Rice@com.state.oh.us</p>	<p>Montgomery *</p>
<p>#35 Sean Seibert PO Box 422 Painesville, Ohio 44077-3938 Voice: (614) 557-8662 Fax: (614) 232-9541 Sean.Seibert@com.state.oh.us</p>	<p>Lake *</p>

<p>#11 Kela D. Thompson 6606 Tussing Rd, PO Box 4009 Reynoldsburg, Ohio 43068-9009 Voice: (614) 728-5007 Fax: (614) 232-9537 Kela.Thompson@com.state.oh.us</p>	<p>Franklin *</p>
<p>* Headquarter County</p>	
<p>Stephen Clegg, Chief 6606 Tussing Rd, PO Box 4009 Reynoldsburg, Ohio 43068-9009 Voice: (614) 728-8686 Fax: (614) 728-8639 Stephen.Clegg@com.state.oh.us</p>	<p>#90 Jackie Clark, Supervisor 6606 Tussing Rd, PO Box 4009 Reynoldsburg, Ohio 43068-9009 Voice: (614) 728-5019 Fax: (614) 728-8639 Jackie.Clark@com.state.oh.us</p>



John R. Kasich
Governor

Jacqueline T. Williams
Director

PREVAILING WAGE GUIDE
FOR
PUBLIC AUTHORITIES

OHIO DEPARTMENT OF COMMERCE
Division of Industrial Compliance
Bureau of Wage and Hour Administration
6606 Tussing Road, PO Box 4009
Reynoldsburg, Ohio 43068-9009
Phone: 614-644-2239
Fax: 614-728-8639
www.com.ohio.gov
TTY/TDD: 1-800-750-0750

The Ohio Department of Commerce is an Equal Opportunity Employer and Service Provider

PREVAILING WAGE THRESHOLD LEVELS

IMPORTANT NOTICE

Before advertising for bids, contracting, or undertaking construction with its own forces, to construct a public improvement, the Public Authority shall have the Ohio Department of Commerce-Division of Industrial Compliance, Bureau of Wage and Hour Administration determine the prevailing rates of wages for workers employed on the public improvement. The wage determination must be included in the project specifications and printed on the bidding blanks where work is done by contract.

“New” construction threshold for <i>Building Construction</i>:	\$250,000
---	------------------

“Reconstruction, enlargement, alteration, repair, remodeling, renovation, or painting” threshold level for <i>Building Construction</i>:	\$75,000
---	-----------------

As of January 1, 2018:

“New” construction that involves <i>roads, streets, alleys, sewers, ditches and other works connected to road or bridge construction</i> threshold level has been adjusted to:	\$91,150
---	-----------------

“Reconstruction, enlargement, alteration, repair, remodeling, renovation, or painting” that involves <i>roads, streets, alleys, sewers, ditches and other works connected to road or bridge construction</i> threshold level has been adjusted to:	\$27,309
---	-----------------

- A) Thresholds are to be adjusted biennially by the Director of the Ohio Department of Commerce.
- B) Biennial adjustments to threshold levels are made according to the Building Cost for Skilled Labor Index published by McGraw-Hill’s Engineering News-Record, but may not increase or decrease more than 3% for any year.

If there are questions concerning this notification, please contact:

Ohio Department of Commerce
 Division of Industrial Compliance
 Bureau of Wage and Hour Administration
 6606 Tussing Road, PO Box 4009
 Reynoldsburg, Ohio 43068-9009
 Phone: 614-644-2239
 Fax: 614-728-8639
www.com.ohio.gov

Public Authority Responsibilities
ORC Chapter 4115: Wages and Hours on Public Works
(Prevailing Wage Coordinator)

1. Before advertising for bids, contracting, or undertaking construction with its own forces, to construct a public improvement, the public authority shall have the Ohio Department of Commerce, Division of Industrial Compliance, Bureau of Wage and Hour Administration determine the prevailing rates of wages for workers employed on the public improvement. The wage determination must be included in the project specifications and printed on the bidding blanks where work is done by contract.
 - a) "New" construction has a threshold level of \$250,000.
 - b) "Reconstruction, enlargement, alteration, repair, remodeling, renovation, or painting" has a threshold level of \$75,000.
 - c) "New" construction that involves roads, streets, alleys, sewers, ditches and other works connected to road or bridge construction has a threshold level of \$91,150.
 - d) "Reconstruction, enlargement, alteration, repair, remodeling, renovation, or painting" that involves roads, streets, alleys, sewers, ditches and other works connected to road or bridge construction has a threshold of \$27,309.
 - i.) Thresholds are to be adjusted biennially by the Director of Ohio Department of Commerce, Division of Industrial Compliance, Bureau of Wage and Hour Administration.
 - ii.) Biennial adjustments to threshold levels are made according to the Price Deflator for Construction Index, United States Department of Commerce, Bureau of the Census, but may not increase or decrease more than 3% for any year.
2. Every contract for public work shall contain a provision that each worker employed by the contractor or subcontractor, or other person about or upon the public work, must be paid the prevailing rate of wages.
3. If contracts are not awarded or construction undertaken within ninety days (90) from the date of the determination of the prevailing wage there shall be a re-determination of the wage rates before the contract is awarded.
4. Within seven (7) working days after the receipt of notification of a change in the prevailing wage rates, the public authority shall notify all affected contractors and subcontractors. If it is determined that a contractor or subcontractor has violated sections 4115.03 to 4115.16 of the Ohio Revised Code because they were not notified as required, **the public authority is liable** for any back wages, fines, damages, court costs and attorney's fees for the period of time covering the receipt of wage changes, until they give the required notice.
5. No public authority shall award a contract for a public improvement to any contractor or subcontractor whose name appears on the list of debarred contractors. This list is filed with the Secretary of State by the Ohio Department of Commerce-Division of Industrial Compliance & Labor-Bureau of Wage and Hour Administration **The filing of the notice of conviction with the secretary of state constitutes notice to all public authorities.** These contractors are prohibited from working on public improvements for periods ranging from one to three years. The list of debarred contractors can be located on the website www.com.ohio.gov/laws
6. A public authority must designate and appoint **one of its own employees** to serve as the Prevailing Wage Coordinator during the life of the contract for constructing the public improvement. A Prevailing Wage Coordinator must be appointed no later than ten days before the first payment of wages by contractors to employees working on the public improvement.

PUBLIC AUTHORITY'S COMPLIANCE CHECKLIST FOR PREVAILING WAGE

Project:		Number:
Department:		Phone#:
PW Coordinator:		Phone#:
Architect/Engineer:		Phone#:
Contractor:		Phone#:
Contact Person:		Title:
General Contractor:		Prime Contractor:
		Construction Mgr:
Date Completed		Compliance Item Description
	1.	Request Prevailing Wage Determination Schedule from ODOC-DIC-Wage & Hour
	2.	Received Prevailing Wage Determination Schedule
	3.	Incorporate Determination Schedule in Specs./Bidding Blanks
	4.	Incorporate notice of Prevailing Wage requirements in Invitation for Bids/Notice to Bidders
	5.	Incorporate Prevailing Wage requirements in Contract
	6.	Submit complete Invitation for Bid to ODOC-DIC-Wage & Hour
	7.	Invitation for Bids
	8.	Bid Opening
	9.	Check Listing of Violators
	10.	Award of Contract. (see note)
	11.	Submit Bid Tabulation/Award to ODOC-DIC-WAGE & HOUR
	12.	Notice to Successful Bidder
	13.	Work Commenced... (see note)
	14.	Appoint Prevailing Wage Coordinator
	15.	Received list of Subcontractors' names, addresses, phone #'s & email's
	16.	Received Payroll Date Schedule
	17.	Received Registered Apprenticeship Agreement Certifications
	18.	Received Deduction Agreements
	19.	Received Payroll Reports with Certification... (see attachment)
	20.	Visited project site
	21.	Received Changes to Determination Schedule
	22.	Notice to Contractors of Determination Schedule change
	23.	Request Final Compliance Affidavit from contractors & subcontractors
	24.	Received Final Affidavits from all contractors & subcontractors
	25.	Certify Final Payment

Note: If contract is not awarded or construction undertaken within 90 days from the date of establishment of the Prevailing Wage Rates, a re-determination of the Prevailing Wage Rates is required.

REQUEST FOR STATE OF OHIO PREVAILING WAGE RATES

Date		(Mark (X) One) ~ Residential ~ Construction	
Project Information (only one project and one county per request form please)			
County of Project		Project Name	
Site Address		City	
Owner/Public Authority		This form MUST be filled out COMPETELY & CORRECTLY for us to process your request. Forms not completed correctly will be RETURNED TO THE SENDER .	
Address			
Telephone Number		ODOC-DIC-WAGE & HOUR DATE STAMP	
City		Zip Code	
PW Coordinator		Telephone Number	
Issuing Authority of Bonds		Type of Financing	
Estimated Total Overall Project Cost			
~ New Construction		~ "Old" Construction *	
A copy of this form will be returned to you with your wage rates. You must send that copy to us with your bid tabulations once the contract has been awarded.			
Expected Date of Contract Award		PHONE: (614) 644-2239 FAX: (614) 728-8639	
Projected Completion Date			
Send Wage Rates to: (contractors are charged \$5.00 per county)		ODOC-DIC-W&H DATE STAMP (bid tab)	
~ Mail		~ Pick Up	
~ Federal Express Account Number			
Name		Company or Public Authority	
Address			
City		Zip	
Telephone Number			
* "Old" construction is reconstruction, enlargement, alteration, repair, remodeling, renovation, or painting.			

INDUSTRIAL DEVELOPMENT BONDS

Bond Projects require the Public Authority to keep the following information on file			
1. Type of Bonds issued:	Amount:		
2. The total cost of the Project:			
3. The other type of financing involved in the project:			
4. Portion of the project being constructed with each type of financing:			
5. Are Prevailing Wage Rates being applied to all construction on the project: ~ Yes ~ No			
6. The name of the political subdivision who issued the bonds:			
7. When were the bonds issued:			
8. For what purpose were the bonds issued:			
9. Who handles the funds once the bonds are sold:			
10. Who is the lending institution that purchased the bonds:			
11. How are the funds to be paid out:			
12. When are the funds to be paid out:			
13. Who is the Bond Council:			
14. Who has been appointed as the Prevailing Coordinator:			
PWC Address:			
City:	OHIO	Zip:	Telephone #:
15. Obtain a copy of the inducement and other official documents for the issuance of the bonds.			



John R. Kasich
Governor

Jacqueline T. Williams
Director

PREVAILING WAGE GUIDELINES
FOR THE
PUBLIC AUTHORITIES
PW COORDINATOR

OHIO DEPARTMENT OF COMMERCE
Division of Industrial Compliance and Labor
Bureau of Wage and Hour Administration
6606 Tussing Road, PO Box 4009
Reynoldsburg, Ohio 43068-9009
Phone: 614-644-2239
Fax: 614-728-8639
www.com.ohio.gov
TTY/TDD: 1-800-750-0750

The Ohio Department of Commerce is an Equal Opportunity Employer and Service Provider

Prevailing Wage Coordinator Guidelines

For more detailed information please refer to Chapter 4115 of the Ohio Revised Code

- A. Attend any pre-bid and/or pre-construction meetings.
 - 1. To explain the prevailing wage rate requirements.
 - 2. To explain the contractor's responsibilities.
- B. Set up and maintain files containing all contractors' and subcontractors' payroll reports, affidavits, and related documents. These files must be available for public inspection.
- C. Obtain from each contractor a list of their subcontractors' names, addresses, telephone numbers, and email addresses.
- D. Require each contractor and subcontractor to provide their project dates. This will be used to make a time schedule for receiving their certified payrolls.
- E. Obtain from each contractor, the name and address of their Bonding\Surety Company.
- F. Obtain from out-of-state corporations, the name and address of their Statutory Agent. (This agent must be located in the State of Ohio and registered with the Ohio Secretary of State.)
 - 1. Records made in connection with the public improvement must not be removed from the State of Ohio for the period of one year following the completion of the project.
- G. Supply contractors with any changes in the Prevailing Wage Rates.
- H. Within two weeks after the first pay, obtain a certified payroll report from each contractor. A certified report is one that is sworn to and signed by the contractor.
 - 1. If the job will exceed four months, all reports after the initial report can be filed once per month. (The initial report must be filed within two weeks.)
 - 2. If the job will last less than four months, all reports are to be filed weekly after the initial report.
- I. Establish and follow procedures to monitor compliance by contractors and subcontractors.
 - 1. Visit project to verify posting requirements and job classifications.
 - 2. Review certified payroll reports to ensure they are submitted in a timely fashion and complete with the following information for each employee:
 - a) Name, current address, and their social security number or last 4 when permitted
 - b) Classification (must be specific for laborers and operators, including level)
 - c) Hours worked on the project
 - d) Hourly rate
 - e) Fringe benefits, if applicable
 - f) Total hours worked for the week (all jobs)
 - g) Gross wages, all deductions, net pay
 - 3. Compare rates and fringes reported to rates in prevailing wage schedule.
- J. Upon completion of the project and prior to the final payment, require an affidavit of compliance from each contractor and subcontractor. **No public authority shall make final payment to any contractor or subcontractor unless the final affidavits have been filed by the respective contractor and subcontractor. (O.R.C. section 4115.07)**
- K. Report any non-compliance to Ohio Department of Commerce, Division of Industrial Compliance, Bureau of Wage & Hour Administration. The PW complaint form and instructions can be obtained on the website www.com.ohio.gov.

RECORD OF THE CERTIFIED PAYROLL REPORTS RECEIVED

Project:		Number:	
Contractor:		Phone #:	
		Email:	
General Contractor:	Prime Contractor:	Subcontractor:	
Date work commenced:	Completed:	Final Affidavit:	

Payroll	Payroll Date	Date Received		Payroll	Payroll Date	Date Received
1				33		
2				34		
3				35		
4				36		
5				37		
6				38		
7				39		
8				40		
9				41		
10				42		
11				43		
12				44		
13				45		
14				46		
15				47		
16				48		
17				49		
18				50		
19				51		
20				52		
21				53		
22				54		
23				55		
24				56		
25				57		
26				58		
27				59		
28				60		
29				61		
30				62		
31				63		
32				64		

EMPLOYEE VS. INDEPENDENT CONTRACTOR

EMPLOYEE	<input type="checkbox"/> YES	Does the employer have the right to control and direct worker?	<input type="checkbox"/> NO	<input type="checkbox"/>	INDEPENDENT CONTRACTOR
EMPLOYEE	<input type="checkbox"/> YES	Does the worker receive instructions about how and where the work is to be done instead of the employer merely specifying the desired result?	<input type="checkbox"/> NO	<input type="checkbox"/>	INDEPENDENT CONTRACTOR
EMPLOYEE	<input type="checkbox"/> YES	Is payment based on time spent rather than a set price for the work to be performed?	<input type="checkbox"/> NO	<input type="checkbox"/>	INDEPENDENT CONTRACTOR
EMPLOYEE	<input type="checkbox"/> YES	Does the worker devote virtually all his working time to the employer rather than offering services to the general public?	<input type="checkbox"/> NO	<input type="checkbox"/>	INDEPENDENT CONTRACTOR
EMPLOYEE	<input type="checkbox"/> YES	Does the worker performing services make their services available to the general public and/or other businesses?	<input type="checkbox"/> NO	<input type="checkbox"/>	INDEPENDENT CONTRACTOR
EMPLOYEE	<input type="checkbox"/> YES	Is there a continuing relationship between employer and worker?	<input type="checkbox"/> NO	<input type="checkbox"/>	INDEPENDENT CONTRACTOR
EMPLOYEE	<input type="checkbox"/> YES	Can the worker be discharged at will?	<input type="checkbox"/> NO	<input type="checkbox"/>	INDEPENDENT CONTRACTOR
EMPLOYEE	<input type="checkbox"/> YES	Did the employer train the worker for the job?	<input type="checkbox"/> NO	<input type="checkbox"/>	INDEPENDENT CONTRACTOR
EMPLOYEE	<input type="checkbox"/> YES	Does the employer have employees performing the same work as the independent contractor?	<input type="checkbox"/> NO	<input type="checkbox"/>	INDEPENDENT CONTRACTOR

PREVAILING WAGE INVESTIGATION\EMPLOYEE INTERVIEW

Failure to complete this interview form may reduce our ability to recover back wages which may be owed to you.

Project:		Case #:	
Address:		City:	County:
Employee Name:		Last 4 digits of the SS#:	
Address:	City:	State:	Zip:
Telephone #: (Home)	(Work)	Email:	Best time to be reached:
Another source by which we can contact you. (Someone not living at your address):			
Name:		Relationship:	Telephone #:
Contractor's Name:		Telephone #:	
Address:		City:	State: Zip:
Date hired:	Date started on this project :	Approximate hours - Straight time:	Overtime:
Method of recording hours: ~ Time Card ~ Called into office		Recorded by: ~ Employee ~ Foreman	
Did you keep a personal record of your hours worked on this project? ~ Yes ~ No		Do you have check stubs? ~ Yes ~ No	
Did anyone else keep a personal record? ~ Yes ~ No		If yes, who:	
List your job classification(s):		~ Journeyman ~ Helper ~ Apprentice - Level	
List your specific job duties:		List tools/equipment used:	
Hourly rate of pay for this project:		Your regular rate of pay:	
Fringe benefits paid by contractor: ~ None ~ Health Insurance ~ Life Insurance ~ Pension ~ Bonus ~ Vacation - Amount _____ ~ Holidays - Amount _____ ~ Apprenticeship training ~ Profit Sharing ~ Other (list):			
Did you work overtime? ~ Yes ~ No		Were hours over 40 per week paid at time and one half? ~ Yes ~ No	
When is your pay day?		Method of payment: ~ Check ~ Cash ~ Direct Deposit	
List names of co-workers on this project:			
Comments:		Please provide a detailed list of the dates, times and hours worked within each classification that may apply to the work performed on a separate sheet.	
SIGNATURE AND NOTARY			
Affiant is further informed that Section 2921.13 of the Ohio Revised Code provides a penalty of a misdemeanor of the first degree and that prosecution will be pursued of those persons who "knowingly swear or affirm the truth of a false statement when ...the statement is sworn or affirmed before a notary public..." Sworn to before me and subscribed by the said:		I hereby certify that this is a true statement to the best of my knowledge and belief.	
_____		Signature _____ Date _____	
in my presence this _____ day of _____, 20_____		Return to: Ohio Department of Commerce Division of Industrial Compliance & Labor Bureau of Wage and Hour Administration 6606 Tussing Road P.O. Box 4009 Reynoldsburg, Ohio 43068-9009 (614) 644-2239 www.com.ohio.gov	
_____ Notary Public			
Signature of PW Coordinator:		Date:	

EMPLOYEE VS. INDEPENDENT CONTRACTOR-continued

EMPLOYEE	↔	<input type="checkbox"/> YES	Does the worker perform services personally rather than delegating them to others?	<input type="checkbox"/> NO	↔	INDEPENDENT CONTRACTOR
EMPLOYEE	↔	<input type="checkbox"/> YES	Does the employer set a specific time when the individual services are to be performed?	<input type="checkbox"/> NO	↔	INDEPENDENT CONTRACTOR
EMPLOYEE	↔	<input type="checkbox"/> YES	Does the employer furnish the tools and materials used by the worker performing services?	<input type="checkbox"/> NO	↔	INDEPENDENT CONTRACTOR
EMPLOYEE	↔	<input type="checkbox"/> YES	Is the employer assuming all the financial risk, rather than the worker making a significant financial investment in the job and having the opportunity to realize a profit or loss from the work?	<input type="checkbox"/> NO	↔	INDEPENDENT CONTRACTOR
EMPLOYEE	↔	<input type="checkbox"/> NO	Does the individual performing the services publicly advertise these services in for example, the newspaper or yellow pages ?	<input type="checkbox"/> YES	↔	INDEPENDENT CONTRACTOR
EMPLOYEE	↔	<input type="checkbox"/> NO	Does the individual performing the services have a business license?	<input type="checkbox"/> YES	↔	INDEPENDENT CONTRACTOR
EMPLOYEE	↔	<input type="checkbox"/> NO	Does the individual performing the services operate d.b.a. or under a tradename?	<input type="checkbox"/> YES	↔	INDEPENDENT CONTRACTOR



John R. Kasich
Governor

Jacqueline T. Williams
Director

PREVAILING WAGE GUIDE

FOR

CONTRACTORS

(Revised January 2016)

OHIO DEPARTMENT OF COMMERCE

Division of Industrial Compliance and Labor

Bureau of Wage and Hour Administration

6606 Tussing Road, PO Box 4009

Reynoldsburg, Ohio 43068-9009

Phone: 614-644-2239

Fax: 614-728-8639

www.com.ohio.gov

TTY/FDD: 1-800-750-0750

The Ohio Department of Commerce is an Equal Opportunity Employer and Service Provider

PREVAILING WAGE CONTRACTOR RESPONSIBILITIES

This is a summary of prevailing wage contractors' responsibilities. For more detailed information please refer to Chapter 4115 of the Ohio Revised Code

General Information

Ohio's prevailing wage laws apply to all public improvements financed in whole or in part by public funds when the total overall project cost is fairly estimated to be more than \$250,000 for new construction or \$75,000 for reconstruction, enlargement, alteration, repair, remodeling, renovation, or painting.

Ohio's prevailing wage laws apply to all public improvements financed in whole or in part by public funds when the total overall project cost is fairly estimated to be more than \$88,495 for new construction that involves roads, streets, alleys, sewers, ditches and other works connected to road or bridge construction or \$26,514 for reconstruction, enlargement, alteration, repair, remodeling, renovation, or painting of a public improvement that involves roads, streets, alleys, sewers, ditches and other works connected to road or bridge construction.

- a) Thresholds are to be adjusted biennially by the Administrator of Ohio Department of Commerce, Division of Industrial Compliance and Labor, Bureau of Wage and Hour Administration
- b) Biennial adjustments to threshold levels are made according to the Construction Cost Index for Commercial Construction published by McGraw Hill's Engineering News Record.

Penalties for violation

Violators are to be assessed the wages owed, plus a penalty of 100% of the wages owed.

Intentional Violations

If an intentional violation is determined to have occurred, the contractor is prohibited from contracting directly or indirectly with any public authority for the construction of a public improvement. Intentional violation means "a willful, knowing, or deliberate disregard for any provision" of the prevailing wage law and includes but is not limited to the following actions:

- Intentional failure to submit payroll reports as required or knowingly submitting false or erroneous reports.
- Intentional misclassification of employees for the purpose of reducing wages.
- Intentional misclassification of employees as independent contractors or as apprentices.
- Intentional failure to pay the prevailing wage.
- Intentional failure to comply with the allowable ratio of apprentices to skilled workers as required by the regulations established by Ohio Department of Commerce, Division of Industrial Compliance and Labor, Bureau of Wage and Hour Administration.
- Intentionally employing an officer, of a contractor or subcontractor, that is known to be prohibited from contracting, directly or indirectly, with a public authority.

Responsibilities

- A. Pay the prevailing rate of wages as shown in the wage rate schedules issued by the Ohio Department of Commerce, Division of Industrial Compliance and Labor, Bureau of Wage and Hour Administration, for the classification of work being performed.
 1. Wage rate schedules include all modifications, corrections, escalations, or reductions to wage rates issued for the project.
 2. Overtime must be paid at time and one-half the employee's base hourly rate. Fringe benefits are paid at straight time rate for all hours including overtime.
 3. Prevailing wages must be paid in full without any deduction for food, lodging, transportation, use of tools, etc.; unless, the employee has voluntarily consented to these deductions in writing. The public authority and the Director of Ohio Department of

Commerce, Division of Industrial Compliance and Labor, Bureau of Wage and Hour Administration - must approve these deductions as fair and reasonable. Consent and approval must be obtained before starting the project.

- B. Use of Apprentices and Helpers cannot exceed the ratios permitted in the wage rate schedules.
 - 1. Apprentices must be registered with the U.S. Department of Labor Bureau of Apprenticeship and Training.
 - 2. Contractors must provide the Prevailing Wage Coordinator a copy of the Apprenticeship Agreement for each apprentice on the project.

- C. Keep full and accurate payroll records available for inspection by any authorized representative of the Ohio Department of Commerce, Division of Industrial Compliance, Bureau of Wage and Hour Administration or the contracting public authority, including the Prevailing Wage Coordinator. Records should include but are not limited to:
 - 1. Time cards, time sheets, daily work records, etc.
 - 2. Payroll ledger/journals and canceled checks/check register.
 - 3. Fringe benefit records must include program, address, account number, & canceled checks.
 - 4. Records made in connection with the public improvement must not be removed from the State for one year following the completion of the project.
 - 5. Out-of-State Corporations must submit to the Ohio Secretary of State the full name and address of their Statutory Agent in Ohio.

- D. Prevailing Wage Rate Schedule **must** be posted on the job site where it is accessible to all employees.

- E. Prior to submitting the initial payroll report, supply the Prevailing Wage Coordinator with your project dates to schedule reporting of your payrolls.

- F. Supply the Prevailing Wage Coordinator a list of all subcontractors including the name, address, and telephone number for each.
 - 1. **Contractors are responsible for their subcontractors' compliance with requirements of Chapter 4115 of the Ohio Revised Code.**

- G. Before employees start work on the project, supply them with written notification of their job classification, prevailing wage rate, fringe benefit amounts, and the name of the Prevailing Wage Coordinator for the project. A copy of the completed signed notification should be submitted to Prevailing Wage Coordinator.

- H. Supply all subcontractors with the Prevailing Wage Rates and changes.

- I. Submit certified payrolls within two (2) weeks after the initial pay period. Payrolls must include the following information:
 - 1. Employees' names, addresses, and social security numbers.
 - (a) Corporate officers/owners/partners and any salaried personnel who do physical work on the project are considered employees. All rate and reporting requirements are applicable to these individuals.
 - 2. Employees' work classification.
 - (a) Be specific about the laborers and/or operators (Group)
 - (b) For all apprentices, show level/year and percent of journeyman's rate
 - 3. Hours worked on the project for each employee.
 - (a) The number of hours worked in each day and the total number of hours worked each week.
 - 4. Hourly rate for each employee.
 - (a) The minimum rate paid must be the wage rate for the appropriate classification. The Department's Wage Rate Schedule sets this rate.

(b) All overtime worked is to be paid at time and one-half for all hours worked more than forty (40) per week.

5. Where fringes are paid into a bona fide plan instead of cash, list each benefit and amount per hour paid to program for each employee.

(a) When the amount contributed to the fringe benefit plan and the total number of hours worked by the employee on all projects for the year are documented, the hourly amount is calculated by dividing the total contribution of the employer by the total number of hours worked by the employee.

(b) When the amount contributed to the fringe benefit is documented but not the total hours worked, the hourly amount is calculated by **dividing the total yearly contribution by 2080.**

6. Gross amount earned on all projects during the pay period.

7. Total deductions from employee's wages.

8. Net amount paid.

J. The reports shall be certified by the contractor, subcontractor, or duly appointed agent stating that the payroll is correct and complete; and that the wage rates shown are not less than those required by the O.R.C. 4115.

K. Provide a Final Affidavit to the Prevailing Wage Coordinator upon the completion of the project.

PREVAILING WAGE NOTIFICATION to EMPLOYEE

5.05...the contractor or subcontractor shall furnish each employee NOT covered by a collective bargaining agreement written notification of the job classification to which the employee is assigned, the prevailing wage determined to be applicable to that classification, separated into the hourly rate of pay and the fringe payments, and the identity of the prevailing wage coordinator appointed by the public authority. The contractor or subcontractor shall furnish the same notification to each affected employee every time the job classification of the employee is changed.

Project Name: _____ Job Number: _____

Contractor: _____

Project Location: _____

Prevailing Wage Coordinator	Employee
Public Authority:	Name:
Time of PWC:	Street:
Street:	City:
City:	State/Zip:
State/Zip:	Phone:
	Email:
Phone:	Last 4 Digits of SS #:

You will be performing work on this project that falls under these classifications. You will be paid the appropriate rate for the type of work you are performing.

Classification:	Prevailing Wage Rate Total Package:	Minus your fringe benefits *:	Your hourly base rate and overtime:
			/
			/
			/
			/
			/
			/
			/

Hourly fringe benefits paid on your behalf by this company (Yearly amount the company pays divided by 2080):

Fringe	Amount	Fringe	Amount
Health Insurance		Vacation	
Life Insurance		Holiday	
Pension		Sick Pay	
Other (Specify)		Training	
Other (Specify)		Total Hourly Fringes *	

Contractor's Signature: _____ Date: _____

Employee's Signature: _____ Date: _____

INSTRUCTIONS FOR PREPARING CERTIFIED PAYROLL REPORTS

General:

Contractors and subcontractors are required by law to submit certified payroll reports for work on projects covered by Ohio's Prevailing Wage Law. This form meets the reporting requirements established by Ohio Revised Code Chapter 4115. The use of this form is not mandatory; employers may submit their own forms provided that all of the required information is included. This form may be reproduced, or additional copies obtained from:

Ohio Department of Commerce
Division of Industrial Compliance
Bureau of Wage and Hour Administration
6606 Tussing Road, P.O. Box 4009
Reynoldsburg, Ohio 43068-9009
614-644-2239
www.com.ohio.gov

Certified Payroll Heading:

Employer name and address: Company's full name and address... Indicate if the company is a subcontractor.

Subcontractor: Check and list the name of the General Contractor or Prime.

Project: Name and location of the project, including county.

Contracting Public Authority: Name and address of the contracting public authority... (Owner of the project):

Week Ending: Month, day, and year for last day of reporting period.

Payroll #: Indicates first, second, third, etc. payroll filed by the company for the project.

Page indicator: number of pages included in the report.

Project Number: Determined by the public authority... If there is no number leave blank.

Payroll Information by column:

- 1. Employee Name, Address and Social Security number:** This information must be provided for all employees that perform physical labor on the project. The Social Security number is required; the last four digits may be permitted by the public authority. Corporate officers, partners, and salaried employees are considered employees and must be paid the prevailing rate. Individual sole proprietors do not have to pay themselves prevailing rate but must report their hours on the project.
- 2. Work Class:** List classification of work actually performed by employee. If unsure of work classification, consult the Ohio Department of Commerce-Division of Industrial Compliance & Labor-Bureau of Wage and Hour Administration. Employees working more than one classification should have separate line entries for each classification. Indicate what year/level for Apprentices. Be specific when using laborer and operator classifications; for example, Backhoe Operator or Asphalt Laborer or by "Group".
- 3. Hours Worked, Day & Date:** In the first row of column 3, enter days of the company's pay period for example; M T W TH F S S. The second row is for the date that corresponds with each day for the pay period. In the employee information section, enter the number of hours worked on the prevailing wage project and which day the hours were worked. Separate rows are labeled for (ST) straight time hours and (OT) overtime hours. All hours worked after 40, must be paid at the appropriate overtime rate.
- 4. Project Total Hours :** Total the hours entered for pay period.
- 5. Base Rate:** Enter actual rate per hour paid to the employee. The overtime hourly rate is time and one-half the base rate listed in the prevailing wage schedule plus fringe benefits at straight time rate. The prevailing wage schedule lists the base rate plus fringe benefit amounts. These amounts added together equal the total prevailing wage rate. Employers must pay this total amount in one of three ways.
 - 1) Total rate may be paid in entirety in the base rate to the employee; in which case, the cash designation will be checked for fringe benefits.
 - 2) Total rate may be paid as listed in prevailing wage rate schedule with total fringe amounts paid approved plans.
 - 3) Total rate may be paid with a combination of base rate and fringe payments to approved plans in amounts other than those listed in schedule.
- 6. Project Gross:** Enter total gross wages earned on the project for straight time and overtime. Project hours "X" base rate should equal project gross.
- 7. Fringes:** If fringe benefits are paid in the hourly base rate, indicate this by marking the Cash space. If fringe benefits are paid to approved plans as listed in the prevailing wage rate schedule, mark the space Approved Plans. If fringe benefits are paid partially in the base rate and partially to approved plans, mark the space Cash & Approved Plans. List the hourly amount paid to approved plans for each fringe. If payments are not made on a per hour basis, *calculate the hourly fringe credit by dividing the yearly employer contribution by the lesser of: hours actually worked in the year (these must be documented) or 2080.* Fringe benefits include: Employer's share of health insurance, life insurance, retirement plan, bonus/profit sharing, sick pay, holiday pay, personal leave, vacation, and education/training programs. If unsure of a possible fringe benefit, contact the Ohio Department of Commerce-Division of Industrial Compliance & Labor-Bureau of Wage and Hour Administration.
- 8. Total Hours All Jobs:** Total all hours worked during the pay period including non-prevailing wage jobs.
- 9. Total Gross All Jobs:** Gross amount earned in the pay period for all hours worked.
- 10. Self explanatory.**
- 11. Self explanatory.**

**FINAL
AFFIDAVIT OF COMPLIANCE
PREVAILING WAGES**

I, _____ do hereby certify
(Name of person signing affidavit) (Title)

that the wages paid to all employees of : _____
(Company name)

for all hours worked on project: _____
(Project name)

_____ (Project location)

During the period from _____ to _____ are in compliance with
(Project Dates)

Prevailing Wage requirements of Chapter 4115 of the Ohio Revised Code. I further certify that no rebates or deductions have been or will be made, directly or indirectly, from any wages paid in connection with this project, other than those provided by law.

(Signature of Officer or Agent) (Print Name of Officer or Agent)

Sworn to and subscribed in my presence this _____ day of _____, 20____.

(Notary Public)

The above affidavit must be executed and sworn to by the officer or agent of the contractor or subcontractor who supervises the payment of employees. This affidavit must be submitted to the owner (public authority) before the surety is released or final payment due under the terms of the contract is made.

Prevailing Wage Rate Skilled Crafts

Name of Union: Boilermaker Local 105

Change # : LCN02-2013fbLoc 105

Craft : Boilermaker Effective Date : 10/01/2013 Last Posted : 09/25/2013

	BHR		Fringe Benefit Payments					Irrevocable Fund		Total PWR	Overtime Rate	
			H&W	Pension	App Tr.	Vac.	Annuity	Other	LECET (*)			MISC (*)
Classification												
Boilermaker	\$35.26		\$7.07	\$13.28	\$0.89	\$0.00	\$3.00	\$0.55	\$0.00	\$0.00	\$60.05	\$77.68
Apprentice	Percent											
1st 6 months	70.03	\$24.69	\$7.07	\$11.30	\$0.89	\$0.00	\$2.10	\$0.55	\$0.00	\$0.00	\$46.60	\$58.95
2nd 6 months	75.02	\$26.45	\$7.07	\$11.30	\$0.89	\$0.00	\$2.25	\$0.55	\$0.00	\$0.00	\$48.51	\$61.74
3rd 6 months	80.00	\$28.21	\$7.07	\$11.30	\$0.89	\$0.00	\$2.40	\$0.55	\$0.00	\$0.00	\$50.42	\$64.52
4th 6 months	85.02	\$29.98	\$7.07	\$11.30	\$0.89	\$0.00	\$2.55	\$0.55	\$0.00	\$0.00	\$52.34	\$67.33
5th 6 months	87.52	\$30.86	\$7.07	\$13.28	\$0.89	\$0.00	\$2.63	\$0.55	\$0.00	\$0.00	\$55.28	\$70.71
6th 6 months	90.03	\$31.74	\$7.07	\$13.28	\$0.89	\$0.00	\$2.70	\$0.55	\$0.00	\$0.00	\$56.23	\$72.11
7th 6 months	92.50	\$32.62	\$7.07	\$13.28	\$0.89	\$0.00	\$2.78	\$0.55	\$0.00	\$0.00	\$57.19	\$73.49
8th 6 months	95.00	\$33.50	\$7.07	\$13.28	\$0.89	\$0.00	\$2.85	\$0.55	\$0.00	\$0.00	\$58.14	\$74.89

Special Calculation Note : Other is Supplemental Health and Welfare

Ratio :

5 Journeymen to 1 Apprentice

Jurisdiction (* denotes special jurisdictional note) :

ADAMS, ATHENS, BROWN, BUTLER, CHAMPAIGN, CLARK, CLERMONT, CLINTON, FAIRFIELD, FAYETTE, FRANKLIN, GALLIA, GREENE, GUERNSEY, HAMILTON, HIGHLAND, HOCKING, JACKSON, LAWRENCE, LICKING, MADISON, MEIGS, MIAMI, MONTGOMERY, MORGAN, MUSKINGUM, NOBLE, PERRY, PICKAWAY, PIKE, PREBLE, ROSS, SCIOTO, VINTON, WARREN

Special Jurisdictional Note :

Details :

Prevailing Wage Rate Skilled Crafts

Name of Union: Asbestos Local 50 Zone 1

Change # : LCN01-2019fbLoc50

Craft : Asbestos Worker Effective Date : 01/09/2019 Last Posted : 01/09/2019

	BHR	Fringe Benefit Payments						Irrevocable Fund		Total PWR	Overtime Rate
		H&W	Pension	App Tr.	Vac.	Annuity	Other	LECET (*)	MISC (*)		
Classification											
Asbestos Insulation Mechanic	\$32.28	\$6.46	\$6.88	\$0.44	\$0.00	\$2.00	\$0.15	\$0.00	\$0.00	\$48.21	\$64.35
Firestop Technician	\$32.28	\$6.46	\$6.88	\$0.44	\$0.00	\$2.00	\$0.15	\$0.00	\$0.00	\$48.21	\$64.35
Apprentice	Percent										
1st year	50.98	\$16.46	\$6.46	\$0.00	\$0.44	\$0.00	\$0.00	\$0.15	\$0.00	\$23.51	\$31.73
2nd year	61.00	\$19.69	\$6.46	\$0.86	\$0.44	\$0.00	\$0.00	\$0.15	\$0.00	\$27.60	\$37.45
3rd year	70.07	\$22.62	\$6.46	\$1.72	\$0.44	\$0.30	\$0.15	\$0.00	\$0.00	\$31.69	\$43.00
4th year	80.10	\$25.86	\$6.46	\$1.72	\$0.44	\$0.30	\$0.15	\$0.00	\$0.00	\$34.93	\$47.85

Special Calculation Note : Other is Industry Fund.

Ratio :

4 Journeymen to 1 Apprentice Company Wide
except no apprentice may work on the jobsite without a
Mechanic

Jurisdiction (* denotes special jurisdictional note) :

ATHENS, AUGLAIZE, BUTLER*, CLINTON, CRAWFORD, DELAWARE, FAIRFIELD, FAYETTE, FRANKLIN, GUERNSEY, HARDIN, HOCKING, KNOX, LICKING, LOGAN, MADISON, MARION, MORGAN, MORROW, MUSKINGUM, NOBLE, PERRY, PICKAWAY, ROSS, SHELBY, UNION, VINTON, WARREN*

Special Jurisdictional Note : Township of Butler County-Townships of Lemon and Madison. Warren County-Township of Cleer Creek, Franklin, Massie, Turtle Creek and Wayne

Details :

Prevailing Wage Rate Skilled Crafts

Name of Union: Boilermaker Local 154

Change # : LCN01-2012kpLoc 154

Craft : Boilermaker Effective Date : 03/22/2012 Last Posted : 03/22/2012

	BHR		Fringe Benefit Payments					Irrevocable Fund		Total PWR	Overtime Rate	
			H&W	Pension	App Tr.	Vac.	Annuity	Other	LECET (*)			MISC (*)
Classification												
Boilermaker	\$36.17	\$8.57	\$11.28	\$0.55	\$0.00	\$4.25	\$0.34	\$0.00	\$1.40	\$62.56	\$80.65	
Trainee 60%	\$23.25	\$8.57	\$3.59	\$0.55	\$0.00	\$4.25	\$0.34	\$0.00	\$1.40	\$41.95	\$53.57	
Trainee 70%	\$27.13	\$8.57	\$3.59	\$0.55	\$0.00	\$4.25	\$0.34	\$0.00	\$1.40	\$45.83	\$59.40	
Trainee 80%	\$31.00	\$8.57	\$3.59	\$0.55	\$0.00	\$4.25	\$0.34	\$0.00	\$1.40	\$49.70	\$65.20	
Trainee 90%	\$34.88	\$8.57	\$3.59	\$0.55	\$0.00	\$4.25	\$0.34	\$0.00	\$1.40	\$53.58	\$71.02	
Apprentice Registered After 11/01/2005	Percent											
1st 6 months	60.00	\$21.70	\$8.57	\$3.59	\$0.55	\$0.00	\$4.25	\$0.34	\$0.00	\$1.40	\$40.40	\$51.25
2nd 6 months	65.00	\$23.51	\$8.57	\$3.59	\$0.55	\$0.00	\$4.25	\$0.34	\$0.00	\$1.40	\$42.21	\$53.97
3rd 6 months	70.00	\$25.32	\$8.57	\$3.59	\$0.55	\$0.00	\$4.25	\$0.34	\$0.00	\$1.40	\$44.02	\$56.68
4th 6 months	75.00	\$27.13	\$8.57	\$3.59	\$0.55	\$0.00	\$4.25	\$0.34	\$0.00	\$1.40	\$45.83	\$59.39
5th 6 months	80.00	\$28.94	\$8.57	\$3.59	\$0.55	\$0.00	\$4.25	\$0.34	\$0.00	\$1.40	\$47.64	\$62.10
6th 6 months	85.00	\$30.74	\$8.57	\$3.59	\$0.55	\$0.00	\$4.25	\$0.34	\$0.00	\$1.40	\$49.44	\$64.82
7th 6 months	90.00	\$32.55	\$8.57	\$3.59	\$0.55	\$0.00	\$4.25	\$0.34	\$0.00	\$1.40	\$51.25	\$67.53
8th 6 months	95.00	\$34.36	\$8.57	\$3.59	\$0.55	\$0.00	\$4.25	\$0.34	\$0.00	\$1.40	\$53.06	\$70.24

Special Calculation Note : No special calculations for this skilled craft wage rate are required at this time.

Ratio :

Jurisdiction (* denotes special jurisdictional note) :

Prevailing Wage Rate Skilled Crafts

Name of Union: Bricklayer Local 18

Change # : LCN01-2018fbLoc18

Craft : Bricklayer Effective Date : 06/01/2018 Last Posted : 05/30/2018

	BHR		Fringe Benefit Payments					Irrevocable Fund		Total PWR	Overtime Rate	
			H&W	Pension	App Tr.	Vac.	Annuity	Other	LECET (*)			MISC (*)
Classification												
Bricklayer	\$28.11		\$8.25	\$5.19	\$0.52	\$0.00	\$0.00	\$0.00	\$0.00	\$0.00	\$42.07	\$56.13
Stone Mason	\$28.11		\$8.25	\$5.19	\$0.52	\$0.00	\$0.00	\$0.00	\$0.00	\$0.00	\$42.07	\$56.13
Pointer Caulker Cleaner	\$28.11		\$8.25	\$5.19	\$0.52	\$0.00	\$0.00	\$0.00	\$0.00	\$0.00	\$42.07	\$56.13
Refractory Workers	\$29.11		\$8.25	\$5.19	\$0.52	\$0.00	\$0.00	\$0.00	\$0.00	\$0.00	\$43.07	\$57.63
Refractory Worker Hot Pay	\$31.11		\$8.25	\$5.19	\$0.52	\$0.00	\$0.00	\$0.00	\$0.00	\$0.00	\$45.07	\$60.63
Sawman	\$28.36		\$8.25	\$5.19	\$0.52	\$0.00	\$0.00	\$0.00	\$0.00	\$0.00	\$42.32	\$56.50
Layout Man	\$28.36		\$8.25	\$5.19	\$0.52	\$0.00	\$0.00	\$0.00	\$0.00	\$0.00	\$42.32	\$56.50
Free Standing Chimney	\$28.61		\$8.25	\$5.19	\$0.52	\$0.00	\$0.00	\$0.00	\$0.00	\$0.00	\$42.57	\$56.88
Apprentice	Percent											
1st 6 months	60.00	\$16.87	\$8.25	\$5.19	\$0.52	\$0.00	\$0.00	\$0.00	\$0.00	\$0.00	\$30.83	\$39.26
2nd 6 months	65.00	\$18.27	\$8.25	\$5.19	\$0.52	\$0.00	\$0.00	\$0.00	\$0.00	\$0.00	\$32.23	\$41.37
3rd 6 months	70.00	\$19.68	\$8.25	\$5.19	\$0.52	\$0.00	\$0.00	\$0.00	\$0.00	\$0.00	\$33.64	\$43.48
4th 6 months	75.00	\$21.08	\$8.25	\$5.19	\$0.52	\$0.00	\$0.00	\$0.00	\$0.00	\$0.00	\$35.04	\$45.58
5th 6 months	80.00	\$22.49	\$8.25	\$5.19	\$0.52	\$0.00	\$0.00	\$0.00	\$0.00	\$0.00	\$36.45	\$47.69
6th 6 months	85.00	\$23.89	\$8.25	\$5.19	\$0.52	\$0.00	\$0.00	\$0.00	\$0.00	\$0.00	\$37.85	\$49.80
7th 6 months	90.00	\$25.30	\$8.25	\$5.19	\$0.52	\$0.00	\$0.00	\$0.00	\$0.00	\$0.00	\$39.26	\$51.91
8th 6 months	95.00	\$26.70	\$8.25	\$5.19	\$0.52	\$0.00	\$0.00	\$0.00	\$0.00	\$0.00	\$40.66	\$54.02

MASON FINISHER 1st 180 Days	45.00	\$12.65	\$0.00	\$0.00	\$0.00	\$0.00	\$0.00	\$0.00	\$0.00	\$0.00	\$0.00	\$12.65	\$18.97
1st Year H&W after 6 months	45.00	\$12.65	\$8.25	\$0.00	\$0.00	\$0.00	\$0.00	\$0.00	\$0.00	\$0.00	\$0.00	\$20.90	\$27.22
2nd Year	50.00	\$14.06	\$8.25	\$0.00	\$0.00	\$0.00	\$0.00	\$0.00	\$0.00	\$0.00	\$0.00	\$22.30	\$29.33

Special Calculation Note : **In order to utilize a Pre-Apprentice, you must have 1 Registered Apprentice in your employ.

Ratio :

- 1-2 Journeyman to 1 Apprentice
- 3-4 Journeyman to 2 Apprentice
- 5-6 Journeyman to 2 Apprentice
- 7-10 Journeyman to 3 Apprentice

Jurisdiction (* denotes special jurisdictional note) :

BROWN, BUTLER, CLERMONT, HAMILTON, PREBLE*, WARREN

- 1 Apprentice permits 1 Mason Trainee
- 2 Apprentice permits 1 Mason Trainee
- 3 Apprenticepermits 2 Mason Trainees
- 4 Apprentice permits 2 Mason Trainees

For each additional 5 Journeyman to 1 Apprentice, for every 3 additional Apprentices, 1 Mason Finisher may be added

Special Jurisdictional Note : In Preble County the following townships are included: (Dixon, Gasper, Graits, Israel, Lanier and Somers)

Details :

MASON FINISHER:duties shall be to work in all aspects of Masonry construction taking direction from the employer and the Journeyman Bricklayer & Stone Mason's working on the job. Mason Finisher's may work on job site only when a registered apprentice is on job and the ratios in table above will strictly be enforced.

Refractory work is classified as working with any of the following materials:

Acid brick, carbon black brick or carbon black block, firebrick grinding, plastics (with a gun) and any resinous cement.

Fifty cents (\$0.50) per hour above scale shall be paid to employees working on free standing industrial or institutional chimneys which are completely detached from any building structure.

Prevailing Wage Rate Skilled Crafts

Name of Union: Bricklayer Local 18 Tile Finisher

Change # : LCN01-2018fbLoc18

Craft : Bricklayer Effective Date : 09/01/2018 Last Posted : 08/15/2018

	BHR		Fringe Benefit Payments					Irrevocable Fund		Total PWR	Overtime Rate	
			H&W	Pension	App Tr.	Vac.	Annuity	Other	LECET (*)			MISC (*)
Classification												
Bricklayer Tile Marble Terrazzo Finisher	\$24.20		\$8.61	\$4.92	\$0.48	\$0.00	\$0.00	\$0.00	\$0.00	\$0.00	\$38.21	\$50.31
Terrazzo Base Grinder	\$24.70		\$8.61	\$4.92	\$0.48	\$0.00	\$0.00	\$0.00	\$0.00	\$0.00	\$38.71	\$51.06
Marble Sander Polisher	\$24.30		\$8.61	\$4.92	\$0.48	\$0.00	\$0.00	\$0.00	\$0.00	\$0.00	\$38.31	\$50.46
Apprentices	Percent											
1st 6 months 0-600 hrs	60.00	\$14.52	\$8.61	\$4.92	\$0.48	\$0.00	\$0.00	\$0.00	\$0.00	\$0.00	\$28.53	\$35.79
2nd 6 months 601-1200 hrs	65.00	\$15.73	\$8.61	\$4.92	\$0.48	\$0.00	\$0.00	\$0.00	\$0.00	\$0.00	\$29.74	\$37.60
3rd 6 months 1201-1800 hrs	70.00	\$16.94	\$8.61	\$4.92	\$0.48	\$0.00	\$0.00	\$0.00	\$0.00	\$0.00	\$30.95	\$39.42
4th 6 months 1801-2400 hrs	75.00	\$18.15	\$8.61	\$4.92	\$0.48	\$0.00	\$0.00	\$0.00	\$0.00	\$0.00	\$32.16	\$41.23
5th 6 months 2401-3000 hrs	80.00	\$19.36	\$8.61	\$4.92	\$0.48	\$0.00	\$0.00	\$0.00	\$0.00	\$0.00	\$33.37	\$43.05
6th 6 months 3001-3600	90.00	\$21.78	\$8.61	\$4.92	\$0.48	\$0.00	\$0.00	\$0.00	\$0.00	\$0.00	\$35.79	\$46.68
1-30 Days Prior to Entering Apprenticeship	50.00	\$12.10	\$0.00	\$0.00	\$0.00	\$0.00	\$0.00	\$0.00	\$0.00	\$0.00	\$12.10	\$18.15

Special Calculation Note : Classification title contains "Bricklayer" because contract originates within the Bricklayer Local.

Note that the classification description is clarified after the local union number at the top of the page.

****In order to utilize a Pre-Apprentice, you must have 1 Registered Apprentice in your employ.****

Ratio :

- 1 Journeyman to 1 Apprentice
- 5 Journeymen to 1 Apprentice
- 10 Journeymen to 2 Apprentices

Jurisdiction (* denotes special jurisdictional note) :

- ADAMS, BROWN, BUTLER, CLERMONT, GALLIA, HAMILTON, LAWRENCE, PREBLE*, SCIOTO, WARREN, WARREN*

Prevailing Wage Rate Skilled Crafts

Name of Union: Bricklayer Local 18 Tile Mechanic

Change # : LCN01-2018fbLoc18

Craft : Bricklayer Effective Date : 09/01/2018 Last Posted : 08/15/2018

	BHR		Fringe Benefit Payments					Irrevocable Fund		Total PWR	Overtime Rate	
			H&W	Pension	App Tr.	Vac.	Annuity	Other	LECET (*)			MISC (*)
Classification												
Bricklayer Tile Terrazzo Marble Mason Mechanic	\$28.74		\$8.61	\$4.92	\$0.53	\$0.00	\$0.00	\$0.00	\$0.00	\$0.00	\$42.80	\$57.17
Marble Layout Work	\$29.24		\$8.61	\$4.92	\$0.53	\$0.00	\$0.00	\$0.00	\$0.00	\$0.00	\$43.30	\$57.92
Swing Scaffold Worker	\$29.74		\$8.61	\$4.92	\$0.53	\$0.00	\$0.00	\$0.00	\$0.00	\$0.00	\$43.80	\$58.67
Apprentice after 2 years (2400 hrs) as Apprentice Finisher												
5th/6 Months 0- 600 hrs.	70.00	\$20.12	\$8.61	\$4.92	\$0.53	\$0.00	\$0.00	\$0.00	\$0.00	\$0.00	\$34.18	\$44.24
6th/6 months 601-1200 hrs.	75.00	\$21.55	\$8.61	\$4.92	\$0.53	\$0.00	\$0.00	\$0.00	\$0.00	\$0.00	\$35.62	\$46.39
7th/6 months 1201-1800 hrs.	80.00	\$22.99	\$8.61	\$4.92	\$0.53	\$0.00	\$0.00	\$0.00	\$0.00	\$0.00	\$37.05	\$48.55
8th/6 months 1801-2400 hrs.	90.00	\$25.87	\$8.61	\$4.92	\$0.53	\$0.00	\$0.00	\$0.00	\$0.00	\$0.00	\$39.93	\$52.86

Special Calculation Note : Classification title contains "Bricklayer" because contract originates within the Bricklayer Local.

Prevailing Wage Rate Skilled Crafts

Name of Union: Carpenter Floorlayer SW District G

Change # : LCR01-2018fbLocSWDayton

Craft : Carpenter Effective Date : 10/10/2018 Last Posted : 10/10/2018

	BHR		Fringe Benefit Payments					Irrevocable Fund		Total PWR	Overtime Rate	
			H&W	Pension	App Tr.	Vac.	Annuity	Other	LECET (*)			MISC (*)
Classification												
Carpenter Floorlayer	\$25.16		\$7.11	\$6.95	\$0.29	\$0.00	\$1.00	\$0.12	\$0.00	\$0.00	\$40.63	\$53.21
Apprentice	Percent											
1st 3 months	50.00	\$12.58	\$0.00	\$0.00	\$0.00	\$0.00	\$0.00	\$0.00	\$0.00	\$0.00	\$12.58	\$18.87
2nd 3 months	50.00	\$12.58	\$6.65	\$0.00	\$0.29	\$0.00	\$1.00	\$0.12	\$0.00	\$0.00	\$20.64	\$26.93
2nd 6 months	55.00	\$13.84	\$6.65	\$0.00	\$0.29	\$0.00	\$1.00	\$0.12	\$0.00	\$0.00	\$21.90	\$28.82
3rd 6 months	60.00	\$15.10	\$6.65	\$0.00	\$0.29	\$0.00	\$1.00	\$0.12	\$0.00	\$0.00	\$23.16	\$30.70
4th 6 months	65.00	\$16.35	\$6.65	\$0.00	\$0.29	\$0.00	\$1.00	\$0.12	\$0.00	\$0.00	\$24.41	\$32.59
5th 6 months	70.00	\$17.61	\$6.65	\$6.95	\$0.29	\$0.00	\$1.00	\$0.12	\$0.00	\$0.00	\$32.62	\$41.43
6th 6 months	75.00	\$18.87	\$6.65	\$6.95	\$0.29	\$0.00	\$1.00	\$0.12	\$0.00	\$0.00	\$33.88	\$43.32
7th 6 months	80.00	\$20.13	\$6.65	\$6.95	\$0.29	\$0.00	\$1.00	\$0.12	\$0.00	\$0.00	\$35.14	\$45.20
8th 6 months	85.00	\$21.39	\$6.65	\$6.95	\$0.29	\$0.00	\$1.00	\$0.12	\$0.00	\$0.00	\$36.40	\$47.09

Special Calculation Note : Other for \$0.12 is for UBC National Fund.

Ratio :

1 Journeymen to 1 Apprentice

Jurisdiction (* denotes special jurisdictional note) :

BROWN, BUTLER, CHAMPAIGN, CLARK, CLERMONT, CLINTON, DARKE, GREENE, HAMILTON, LOGAN, MIAMI, MONTGOMERY, PREBLE, SHELBY, WARREN

Special Jurisdictional Note :

Details :

Scope of work shall include, but not be limited to: receiving,unloading,handling,distribution and installation of all carpeting materials,carpet padding or matting materials and all resilient materials whether for use on walls,

floors, counter, sink, table and all preparation work necessary in connection therewith, including sanding work. the installation of nonstructural under-layment and the work of removing, cleaning waxing of any of the above. Carpeting shall include any floor covering composed of either natural or synthetic fibers that are made in breadths to be sewed, fastened or directly glued to floors or over cushioning sound-proofing materials. Resilient Floors shall consist of and include the laying of all special designs of wood, wood block, wood composition, cork, linoleum, asphalt, mastic, plastic, rubber tile, whether nailed or glued.

Prevailing Wage Rate Skilled Crafts

Name of Union: Carpenter Millwright Local 1090 SW Zone I

Change # : LCN01-2018fbLoc1066

Craft : Carpenter Effective Date : 10/17/2018 Last Posted : 10/17/2018

	BHR		Fringe Benefit Payments					Irrevocable Fund		Total PWR	Overtime Rate	
			H&W	Pension	App Tr.	Vac.	Annuity	Other	LECET (*)			MISC (*)
Classification												
Carpenter Millwright	\$30.48		\$7.17	\$6.95	\$0.44	\$0.00	\$6.36	\$0.25	\$0.00	\$0.00	\$51.65	\$66.89
Apprentice	Percent											
1st 6 months	60.00	\$18.29	\$7.17	\$4.27	\$0.44	\$0.00	\$3.82	\$0.25	\$0.00	\$0.00	\$34.24	\$43.38
2nd 6 months	65.00	\$19.81	\$7.17	\$4.61	\$0.44	\$0.00	\$4.13	\$0.25	\$0.00	\$0.00	\$36.41	\$46.32
3rd 6 months	70.00	\$21.34	\$7.17	\$4.94	\$0.44	\$0.00	\$4.45	\$0.25	\$0.00	\$0.00	\$38.59	\$49.25
4th 6 months	75.00	\$22.86	\$7.17	\$5.28	\$0.44	\$0.00	\$4.77	\$0.25	\$0.00	\$0.00	\$40.77	\$52.20
5th 6 months	80.00	\$24.38	\$7.17	\$5.61	\$0.44	\$0.00	\$5.09	\$0.25	\$0.00	\$0.00	\$42.94	\$55.14
6th 6 months	85.00	\$25.91	\$7.17	\$5.95	\$0.44	\$0.00	\$5.41	\$0.25	\$0.00	\$0.00	\$45.13	\$58.08
7th 6 months	90.00	\$27.43	\$7.17	\$6.28	\$0.44	\$0.00	\$5.72	\$0.25	\$0.00	\$0.00	\$47.29	\$61.01
8th 6 months	95.00	\$28.96	\$7.17	\$6.62	\$0.44	\$0.00	\$6.04	\$0.25	\$0.00	\$0.00	\$49.48	\$63.95

Special Calculation Note : Other (\$0.25) \$0.10 National Fund, \$0.10. Drug Safety Program \$0.10 and National Millwright Fund \$0.05

Ratio :

3 Journeymen to 1 Apprentice

Jurisdiction (* denotes special jurisdictional note) :

BROWN, BUTLER, CLERMONT, CLINTON, HAMILTON, WARREN

Special Jurisdictional Note :

Details :

Prevailing Wage Rate Skilled Crafts

Name of Union: Carpenter NE District Industrial Dock & Door

Change # : LCN01-2014fbCarpNEStatewide

Craft : Carpenter Effective Date : 03/05/2014 Last Posted : 03/05/2014

	BHR		Fringe Benefit Payments					Irrevocable Fund		Total PWR	Overtime Rate	
			H&W	Pension	App Tr.	Vac.	Annuity	Other	LECET (*)			MISC (*)
Classification												
Carpenter	\$19.70		\$5.05	\$1.00	\$0.15	\$0.00	\$0.00	\$0.00	\$0.00	\$0.00	\$25.90	\$35.75
Trainee	Percent											
1st Year	60.00	\$11.82	\$5.05	\$1.00	\$0.15	\$0.00	\$0.00	\$0.00	\$0.00	\$0.00	\$18.02	\$23.93
2nd Year	80.20	\$15.80	\$5.05	\$1.00	\$0.15	\$0.00	\$0.00	\$0.00	\$0.00	\$0.00	\$22.00	\$29.90

Special Calculation Note : No special calculations for this skilled craft wage rate are required at this time.

Ratio :

1 Journeymen to 1 Trainee

Jurisdiction (* denotes special jurisdictional note) :

ADAMS, ALLEN, ASHLAND, ASHTABULA, ATHENS, AUGLAIZE, BELMONT, BROWN, BUTLER, CARROLL, CHAMPAIGN, CLARK, CLERMONT, CLINTON, COLUMBIANA, COSHOCTON, CRAWFORD, CUYAHOGA, DARKE, DEFIANCE, DELAWARE, ERIE, FAIRFIELD, FAYETTE, FRANKLIN, FULTON, GALLIA, GEAUGA, GREENE, GUERNSEY, HAMILTON, HANCOCK, HARDIN, HARRISON, HENRY, HIGHLAND, HOCKING, HOLMES, HURON, JACKSON, JEFFERSON, KNOX, LAKE, LAWRENCE, LICKING, LOGAN, LORAIN, LUCAS, MADISON, MAHONING, MARION, MEDINA, MEIGS, MERCER, MIAMI, MONROE, MONTGOMERY, MORGAN, MORROW, MUSKINGUM, NOBLE, OTTAWA, PAULDING, PERRY, PICKAWAY, PIKE, PORTAGE, PREBLE, PUTNAM, RICHLAND, ROSS, SANDUSKY, SCIOTO, SENECA, SHELBY, STARK, SUMMIT, TRUMBULL, TUSCARAWAS, UNION, VAN WERT, VINTON, WARREN, WASHINGTON, WAYNE, WILLIAMS, WOOD, WYANDOT

Special Jurisdictional Note : Industrial Dock and Door is the installation of overhead doors, roll up doors and dock leveling equipment

Details :

10/27/10 New Contract jc

milling, fashioning, joining, assembling, erecting, fastening, or dismantling of all material of wood, plastic, metal, fiber, cork, and composition, and all other substitute materials: pile driving, cutting, fitting, and placing of lagging, and the handling, cleaning, erecting, installing, and dismantling of machinery, equipment, and erecting pre-engineered metal buildings.

Pile Drivers work but not limited to: unloading, assembling, erection, repairs, operation, signaling, dismantling, and reloading all equipment that is used for pile driving including pile butts. pile butts is defined as sheeting or scrap piling. Underwater work that may be required in connection with the installation of piling. The diver and his tender work as a team and shall arrive at their own financial arrangements with the contractor. Any configuration of wood, steel, concrete, or composite that is jetted, driven, or vibrated onto the ground by conventional pile driving equipment for the purpose of supporting a future load that may be permanent or temporary.

Driving bracing, plumbing, cutting off and capping of all piling whether wood, metal, pipe piling or composite. loading, unloading, erecting, framing, dismantling, moving, and handling of pile driving equipment. piling used in the construction and repair of all wharves, docks, piers, trestles, caissons, cofferdams, and the erection of all sea walls and breakwaters. All underwater and marine work on bulkheads, wharves, docks, shipyards, caissons, piers, bridges, pipeline work, viaducts, marine cable and trestles, as well as salvage and reclamation work where divers are employed.

Rate shall include carpenters, acoustic, and ceiling installers, drywall installers, pile drivers, and floorlayers.

Prevailing Wage Rate Skilled Crafts

Name of Union: Carpenter & Pile Driver SW District HevHwy

Change # : LCN01-2018fbLoc126

Craft : Carpenter Effective Date : 06/13/2018 Last Posted : 06/13/2018

Classification	BHR		Fringe Benefit Payments					Irrevocable Fund		Total PWR	Overtime Rate	
			H&W	Pension	App Tr.	Vac.	Annuity	Other	LECET (*)			MISC (*)
Carpenter	\$29.87		\$7.08	\$6.95	\$0.38	\$0.00	\$2.19	\$0.12	\$0.00	\$0.00	\$46.59	\$61.53
Pile Driver	\$29.34		\$6.63	\$6.95	\$0.40	\$0.00	\$1.97	\$0.10	\$0.00	\$0.00	\$45.39	\$60.06
Apprentice	Percent											
1st 6 Months	60.00	\$17.92	\$7.08	\$6.95	\$0.38	\$0.00	\$2.19	\$0.12	\$0.00	\$0.00	\$34.64	\$43.60
2nd 6 Months is 1st year	65.00	\$19.42	\$7.08	\$6.95	\$0.38	\$0.00	\$2.19	\$0.12	\$0.00	\$0.00	\$36.14	\$45.84
3rd 6 Months	70.00	\$20.91	\$7.08	\$6.95	\$0.38	\$0.00	\$2.19	\$0.12	\$0.00	\$0.00	\$37.63	\$48.08
4th 6 Months is 2 years	75.00	\$22.40	\$7.08	\$6.95	\$0.38	\$0.00	\$2.19	\$0.12	\$0.00	\$0.00	\$39.12	\$50.32
5th 6 Months	80.00	\$23.90	\$7.08	\$6.95	\$0.38	\$0.00	\$2.19	\$0.12	\$0.00	\$0.00	\$40.62	\$52.56
6th 6 Months is 3 years	85.00	\$25.39	\$7.08	\$6.95	\$0.38	\$0.00	\$2.19	\$0.12	\$0.00	\$0.00	\$42.11	\$54.80
7th 6 Months	90.00	\$26.88	\$7.08	\$6.95	\$0.38	\$0.00	\$2.19	\$0.12	\$0.00	\$0.00	\$43.60	\$57.04
8th 6 Months is 4 years	95.00	\$28.38	\$7.08	\$6.95	\$0.38	\$0.00	\$2.19	\$0.12	\$0.00	\$0.00	\$45.10	\$59.28

Special Calculation Note : Other is UBC National Fund.

Ratio :

1 Journeymen to 1 Apprentice

An employer shall have the right to employ one (1) Apprentice for one (1) Journeyman Carpenter in its employment for the first Apprentice employed, and 1 (1) Apprentice for two (2) Journeyman Carpenter for additional Apprentices employed.
Thereafter, every third additional carpenter hired shall be

Jurisdiction (* denotes special jurisdictional note) :

BROWN, BUTLER, CHAMPAIGN, CLARK, CLERMONT, CLINTON, DARKE, GREENE, HAMILTON, LOGAN, MIAMI, MONTGOMERY, PREBLE, SHELBY, WARREN

an apprentice, if available, and if practical for the type of work being performed.

Special Jurisdictional Note :

Details :

Highway Construction, Airport Construction, Heavy Construction but not limited to:(tunnels,subways,drainage projects,flood control,reservoirs). Railroad Construction,Sewer Waterworks & Utility Construction but not limited to: (storm sewers, waterlines, gaslines). Industrial & Building Site, Power Plant, Amusement Park, Athletic Stadium Site, Sewer and Water Plants.

When the Contractor furnishes the necessary underwater gear for the Diver, the Diver shall be paid one and one half (1&1/2) times the journeyman rate for the time spent in the water.

Prevailing Wage Rate Skilled Crafts

Name of Union: Cement Mason Bricklayer Local 97 HevHwy A

Change # : LCN01-2018fbHvyHwy

Craft : Bricklayer Effective Date : 06/06/2018 Last Posted : 06/06/2018

	BHR		Fringe Benefit Payments					Irrevocable Fund		Total PWR	Overtime Rate	
			H&W	Pension	App Tr.	Vac.	Annuity	Other	LECET (*)			MISC (*)
Classification												
Cement Mason Bricklayer Sewer Water Works A	\$28.65		\$9.08	\$6.03	\$0.44	\$0.00	\$0.00	\$0.00	\$0.00	\$0.00	\$44.20	\$58.52
Apprentice	Percent											
1st year	50.00	\$14.33	\$9.08	\$6.03	\$0.44	\$0.00	\$0.00	\$0.00	\$0.00	\$0.00	\$29.88	\$37.04
2nd year	70.00	\$20.05	\$9.08	\$6.03	\$0.44	\$0.00	\$0.00	\$0.00	\$0.00	\$0.00	\$35.60	\$45.63
3rd year	90.00	\$25.78	\$9.08	\$6.03	\$0.44	\$0.00	\$0.00	\$0.00	\$0.00	\$0.00	\$41.34	\$54.23

Special Calculation Note : NOT FOR BUILDING CONSTRUCTION.

Ratio :

- 3 Journeymen to 1 Apprentice
- 6 Journeymen to 2 Apprentice
- 9 Journeymen to 3 Apprentice
- 12 Journeymen to 4 Apprentice
- 15 Journeymen to 5 Apprentice

Jurisdiction (* denotes special jurisdictional note) :

- ADAMS, ALLEN, ASHLAND, ASHTABULA, ATHENS, AUGLAIZE, BELMONT, BROWN, BUTLER, CARROLL, CHAMPAIGN, CLARK, CLERMONT, CLINTON, COLUMBIANA, COSHOCTON, CRAWFORD, CUYAHOGA, DARKE, DEFIANCE, DELAWARE, ERIE, FAIRFIELD, FAYETTE, FRANKLIN, FULTON, GALLIA, GEAUGA, GREENE, GUERNSEY, HAMILTON, HANCOCK, HARDIN, HARRISON, HENRY, HIGHLAND, HOCKING, HOLMES, HURON, JACKSON, JEFFERSON, KNOX, LAKE, LAWRENCE, LICKING, LOGAN, LORAIN, LUCAS, MADISON, MAHONING, MARION, MEDINA, MEIGS, MERCER, MIAMI, MONROE, MONTGOMERY, MORGAN, MORROW, MUSKINGUM, NOBLE, OTTAWA, PAULDING, PERRY, PICKAWAY, PIKE, PORTAGE, PREBLE, PUTNAM, RICHLAND, ROSS, SANDUSKY, SCIOTO, SENECA, SHELBY, STARK, SUMMIT, TRUMBULL, TUSCARAWAS, UNION, VAN WERT, VINTON, WARREN, WASHINGTON, WAYNE

Special Jurisdictional Note :

Details :

(A) Highway Construction, Sewer, Waterworks And Utility Construction, Industrial & Building Site Heavy Construction, Airport Construction Or Railroad Construction Work.

(B) Power Plant, Tunnels, Amusement Park, Athletic Stadium Site Work ,Pollution Control,Sewer Plant, Waste Plant, & Water Treatment Facilities, Construction.

Prevailing Wage Rate Skilled Crafts

Name of Union: Cement Mason Bricklayer Local 97 HevHwy B

Change # : LCN01-2018fbHvyHwy

Craft : Bricklayer Effective Date : 06/06/2018 Last Posted : 06/06/2018

	BHR		Fringe Benefit Payments					Irrevocable Fund		Total PWR	Overtime Rate	
			H&W	Pension	App Tr.	Vac.	Annuity	Other	LECET (*)			MISC (*)
Classification												
Cement Mason Bricklayer Power Plants Tunnels Amusement Parks B	\$29.64		\$9.08	\$6.03	\$0.45	\$0.00	\$0.00	\$0.00	\$0.00	\$0.00	\$45.20	\$60.02
Apprentice	Percent											
1st year	50.00	\$14.82	\$9.08	\$6.03	\$0.45	\$0.00	\$0.00	\$0.00	\$0.00	\$0.00	\$30.38	\$37.79
2nd year	70.00	\$20.75	\$9.08	\$6.03	\$0.45	\$0.00	\$0.00	\$0.00	\$0.00	\$0.00	\$36.31	\$46.68
3rd year	90.00	\$26.68	\$9.08	\$6.03	\$0.45	\$0.00	\$0.00	\$0.00	\$0.00	\$0.00	\$42.24	\$55.57

Special Calculation Note : NOT FOR BUILDING CONSTRUCTION.

Ratio :

- 3 Journeymen to 1 Apprentice
- 6 Journeymen to 2 Apprentice
- 9 Journeymen to 2 Apprentice
- 12 Journeymen to 4 Apprentice
- 15 Journeymen to 5 Apprentice

Jurisdiction (* denotes special jurisdictional note) :

- ADAMS, ALLEN, ASHLAND, ASHTABULA,
- ATHENS, AUGLAIZE, BELMONT, BROWN,
- BUTLER, CARROLL, CHAMPAIGN, CLARK,
- CLERMONT, CLINTON, COLUMBIANA,
- COSHOCTON, CRAWFORD, CUYAHOGA, DARKE,
- DEFIANCE, DELAWARE, ERIE, FAIRFIELD,
- FAYETTE, FRANKLIN, FULTON, GALLIA,
- GEAUGA, GREENE, GUERNSEY, HAMILTON,
- HANCOCK, HARDIN, HARRISON, HENRY,
- HIGHLAND, HOCKING, HOLMES, HURON,
- JACKSON, JEFFERSON, KNOX, LAKE,
- LAWRENCE, LICKING, LOGAN, LORAIN, LUCAS,
- MADISON, MAHONING, MARION, MEDINA,
- MEIGS, MERCER, MIAMI, MONROE,
- MONTGOMERY, MORGAN, MORROW,
- MUSKINGUM, NOBLE, OTTAWA, PAULDING,
- PERRY, PICKAWAY, PIKE, PORTAGE, PREBLE,
- PUTNAM, RICHLAND, ROSS, SANDUSKY,
- SCIOTO, SENECA, SHELBY, STARK, SUMMIT,

TRUMBULL, TUSCARAWAS, UNION, VAN WERT,
VINTON, WARREN, WASHINGTON, WAYNE

Special Jurisdictional Note :

Details :

(A) Highway Construction, Sewer, Waterworks And Utility Construction, Industrial & Building Site Heavy Construction, Airport Construction Or Railroad Construction Work.

(B) Power Plant, Tunnels, Amusement Park, Athletic Stadium Site Work ,Pollution Control,Sewer Plant, Waste Plant, & Water Treatment Facilities, Construction.

Prevailing Wage Rate Skilled Crafts

Name of Union: Cement Mason Local 132 (Cincinnati)

Change # : LCN01-2018fbLoc132

Craft : Cement Effective Date : 06/13/2018 Last Posted : 06/13/2018

	BHR		Fringe Benefit Payments					Irrevocable Fund		Total PWR	Overtime Rate	
			H&W	Pension	App Tr.	Vac.	Annuity	Other	LECET (*)			MISC (*)
Classification												
Cement Mason	\$23.65		\$6.70	\$6.50	\$0.55	\$0.00	\$0.70	\$0.00	\$0.00	\$0.00	\$38.10	\$49.92
Apprentice	Percent											
1st yr	70.00	\$16.55	\$6.70	\$6.50	\$0.55	\$0.00	\$0.70	\$0.00	\$0.00	\$0.00	\$31.00	\$39.28
2nd yr	80.00	\$18.92	\$6.70	\$6.50	\$0.55	\$0.00	\$0.70	\$0.00	\$0.00	\$0.00	\$33.37	\$42.83
3rd yr	90.00	\$21.28	\$6.70	\$6.50	\$0.55	\$0.00	\$0.70	\$0.00	\$0.00	\$0.00	\$35.74	\$46.38

Special Calculation Note : No special calculations for this skilled craft wage rate are required at this time.

Ratio :

- 1 Journeymen to 1 Apprentice
- 4 Journeymen to 2 Apprentice
- 7 Journeymen to 3 Apprentice
- 10 Journeymen to 4 Apprentice

Jurisdiction (* denotes special jurisdictional note) :
 BROWN, BUTLER, CLERMONT, HAMILTON,
 HIGHLAND, WARREN

Special Jurisdictional Note :

Details :

- *Cement Masons working on silo & slip form work shall receive \$.50 per hour over Journeyman scale.
- *Cement Masons working on swinging scaffolds shall receive \$.50 per hour over Journeyman scale.
- *Cement Masons working on high lifts from 20' and above shall receive \$.50 per hour over Journeyman scale.

Prevailing Wage Rate Skilled Crafts

Name of Union: Cement Mason Statewide HevHwy Exhibit A District II

Change # : LCN01-2017fbCementHevHwy

Craft : Cement Mason Effective Date : 05/01/2018 Last Posted : 04/11/2018

	BHR		Fringe Benefit Payments					Irrevocable Fund		Total PWR	Overtime Rate	
			H&W	Pension	App Tr.	Vac.	Annuity	Other	LECET (*)			MISC (*)
Classification												
Cement Mason	\$28.86		\$7.65	\$6.50	\$0.65	\$0.00	\$2.25	\$0.00	\$0.00	\$0.00	\$45.91	\$60.34
Apprentice Percent												
1st Year	60.00	\$17.32	\$7.65	\$6.50	\$0.65	\$0.00	\$2.25	\$0.00	\$0.00	\$0.00	\$34.37	\$43.02
2nd Year	75.00	\$21.64	\$7.65	\$6.50	\$0.65	\$0.00	\$2.25	\$0.00	\$0.00	\$0.00	\$38.70	\$49.52
3rd Year	90.00	\$25.97	\$7.65	\$6.50	\$0.65	\$0.00	\$2.25	\$0.00	\$0.00	\$0.00	\$43.02	\$56.01

Special Calculation Note : No special calculations for this skilled craft wage rate are required at this time.

Ratio :

1 Journeymen to 1 Apprentice
2 to 1 thereafter

Jurisdiction (* denotes special jurisdictional note) :

BROWN, BUTLER, CLERMONT, COLUMBIANA, DEFIANCE, ERIE, HAMILTON, HIGHLAND, HURON, LORAIN, MAHONING, MEDINA, OTTAWA, PAULDING, PORTAGE, SANDUSKY, SENECA, STARK, SUMMIT, TRUMBULL, WARREN, WILLIAMS

Special Jurisdictional Note : (A) Highway Construction, Sewer, Waterworks And Utility Construction, Industrial & Building Site, Heavy Construction, Airport Construction Or Railroad Construction Work.

Details :

Prevailing Wage Rate Skilled Crafts

Name of Union: Cement Mason Statewide HevHwy Exhibit B District II

Change # : LCN01-2018fbCementHevHwy

Craft : Cement Mason Effective Date : 05/01/2018 Last Posted : 04/11/2018

	BHR		Fringe Benefit Payments						Irrevocable Fund		Total PWR	Overtime Rate
			H&W	Pension	App Tr.	Vac.	Annuity	Other	LECET (*)	MISC (*)		
Classification												
Cement Mason	\$29.73		\$7.65	\$6.50	\$0.65	\$0.00	\$2.25	\$0.00	\$0.00	\$0.00	\$46.78	\$61.64
Apprentice	Percent											
1st Year	60.00	\$17.84	\$7.65	\$6.50	\$0.65	\$0.00	\$2.25	\$0.00	\$0.00	\$0.00	\$34.89	\$43.81
2nd Year	75.00	\$22.30	\$7.65	\$6.50	\$0.65	\$0.00	\$2.25	\$0.00	\$0.00	\$0.00	\$39.35	\$50.50
3rd Year	90.00	\$26.76	\$7.65	\$6.50	\$0.65	\$0.00	\$2.25	\$0.00	\$0.00	\$0.00	\$43.81	\$57.19

Special Calculation Note : No special calculations for this skilled craft wage rate are required at this time.

Ratio :

1 Journeymen to 1 Apprentice
2 to 1 thereafter

Jurisdiction (* denotes special jurisdictional note) :

BROWN, BUTLER, CLERMONT, COLUMBIANA, DEFIANCE, ERIE, HAMILTON, HIGHLAND, HURON, LORAIN, MAHONING, MEDINA, OTTAWA, PAULDING, PORTAGE, SANDUSKY, SENECA, STARK, SUMMIT, TRUMBULL, WARREN, WILLIAMS

Special Jurisdictional Note : (B) Power Plant, Tunnels, Amusement Park, Athletic Stadium Site Work, Pollution Control, Sewer Plant, Waste Plant, & Water Treatment Facilities, Construction.

Details :

Prevailing Wage Rate Skilled Crafts

Name of Union: Electrical Local 71 High Tension Pipe Type Cable

Change # : LCN01-2018fbLoc7

Craft : Lineman Effective Date : 03/28/2018 Last Posted : 03/28/2018

	BHR	Fringe Benefit Payments						Irrevocable Fund		Total PWR	Overtime Rate
		H&W	Pension	App Tr.	Vac.	Annuity	Other	LECET (*)	MISC (*)		
Classification											
Electrical Lineman	\$42.32	\$5.75	\$1.27	\$0.42	\$0.00	\$9.31	\$0.35	\$0.00	\$0.00	\$59.42	\$80.58
Certified Lineman Welder	\$42.32	\$5.75	\$1.27	\$0.42	\$0.00	\$9.31	\$0.35	\$0.00	\$0.00	\$59.42	\$80.58
Certified Cable Splicer	\$42.32	\$5.75	\$1.27	\$0.42	\$0.00	\$9.31	\$0.35	\$0.00	\$0.00	\$59.42	\$80.58
Operator A	\$37.98	\$5.75	\$1.14	\$0.38	\$0.00	\$8.36	\$0.35	\$0.00	\$0.00	\$53.96	\$72.95
Operator B	\$33.67	\$5.75	\$1.01	\$0.34	\$0.00	\$7.41	\$0.35	\$0.00	\$0.00	\$48.53	\$65.36
Operator C	\$27.18	\$5.75	\$0.82	\$0.27	\$0.00	\$5.98	\$0.35	\$0.00	\$0.00	\$40.35	\$53.94
Groundman 0-12 months Exp	\$21.16	\$5.75	\$0.63	\$0.21	\$0.00	\$4.66	\$0.35	\$0.00	\$0.00	\$32.76	\$43.34
Groundman 0-12 months Exp w/CDL	\$23.28	\$5.75	\$0.70	\$0.23	\$0.00	\$5.12	\$0.35	\$0.00	\$0.00	\$35.43	\$47.07
Groundman 1 yr or more	\$23.28	\$5.75	\$0.70	\$0.23	\$0.00	\$5.12	\$0.35	\$0.00	\$0.00	\$35.43	\$47.07
Groundman 1 yr or more w/CDL	\$27.51	\$5.75	\$0.83	\$0.28	\$0.00	\$6.05	\$0.35	\$0.00	\$0.00	\$40.77	\$54.53
Equipment Mechanic A	\$33.67	\$5.75	\$1.01	\$0.34	\$0.00	\$7.41	\$0.35	\$0.00	\$0.00	\$48.53	\$65.36
Equipment Mechanic B	\$30.42	\$5.75	\$0.91	\$0.30	\$0.00	\$6.69	\$0.35	\$0.00	\$0.00	\$44.42	\$59.63
Equipment Mechanic C	\$27.18	\$5.75	\$0.82	\$0.27	\$0.00	\$5.98	\$0.35	\$0.00	\$0.00	\$40.35	\$53.94
X-Ray Technician	\$42.32	\$5.75	\$1.27	\$0.42	\$0.00	\$9.31	\$0.35	\$0.00	\$0.00	\$59.42	\$80.58

Apprentice	Percent											
1st 1000 hrs	60.00	\$25.39	\$5.75	\$0.76	\$0.25	\$0.00	\$5.59	\$0.35	\$0.00	\$0.00	\$38.09	\$50.79
2nd 1000 hrs	65.00	\$27.51	\$5.75	\$0.83	\$0.28	\$0.00	\$6.05	\$0.35	\$0.00	\$0.00	\$40.77	\$54.52
3rd 1000 hrs	70.00	\$29.62	\$5.75	\$0.89	\$0.30	\$0.00	\$6.52	\$0.35	\$0.00	\$0.00	\$43.43	\$58.25
4th 1000 hrs	75.00	\$31.74	\$5.75	\$0.95	\$0.32	\$0.00	\$6.98	\$0.35	\$0.00	\$0.00	\$46.09	\$61.96
5th 1000 hrs	80.00	\$33.86	\$5.75	\$1.02	\$0.34	\$0.00	\$7.45	\$0.35	\$0.00	\$0.00	\$48.77	\$65.69
6th 1000 hrs	85.00	\$35.97	\$5.75	\$1.08	\$0.36	\$0.00	\$7.91	\$0.35	\$0.00	\$0.00	\$51.42	\$69.41
7th 1000 hrs	90.00	\$38.09	\$5.75	\$1.14	\$0.38	\$0.00	\$8.38	\$0.35	\$0.00	\$0.00	\$54.09	\$73.13

Special Calculation Note : Other is Health Retirement Account

Operator "A"

John Henry Rock Drill, D-6 (or equivalent) and above, Trackhoe Digger, (320 Track excavator), Cranes (greater then 25 tons and less than 45 tons).

Operator "B"

Cranes (greater than 6 tons and up to 25 tons), Backhoes, Road Tractor, Dozer up to D-5, Pressure Digger- wheeled or tracked, all Tension wire Stringing equipment.

Operator "C"

Trench, Backhoe, Riding type vibratory Compactor, Ground Rod Driver, Boom Truck (6 ton & below), Skid Steer Loaders, Material Handler.

*All Operators of cranes 45 ton or larger shall be paid the journeyman rate of pay. \$0.30 is for Health Retirement Account.

Ratio :

1 Journeyman to 1 Apprentice

Jurisdiction (* denotes special jurisdictional note) :

- ADAMS, ASHLAND, ASHTABULA, ATHENS,
- AUGLAIZE, BELMONT, BROWN, BUTLER,
- CARROLL, CHAMPAIGN, CLARK, CLERMONT,
- CLINTON, COLUMBIANA, COSHOCTON,
- CRAWFORD, CUYAHOGA, DARKE, DELAWARE,
- FAIRFIELD, FAYETTE, FRANKLIN, GALLIA,
- GEAUGA, GREENE, GUERNSEY, HAMILTON,
- HARRISON, HIGHLAND, HOCKING, HOLMES,
- JACKSON, JEFFERSON, KNOX, LAKE,
- LAWRENCE, LICKING, LOGAN, LORAIN,
- MADISON, MAHONING, MARION, MEDINA,
- MEIGS, MERCER, MIAMI, MONROE,
- MONTGOMERY, MORGAN, MORROW,
- MUSKINGUM, NOBLE, PERRY, PICKAWAY, PIKE,
- PORTAGE, PREBLE, RICHLAND, ROSS, SCIOTO,
- SHELBY, STARK, SUMMIT, TRUMBULL,

TUSCARAWAS, UNION, VINTON, WARREN,
WASHINGTON, WAYNE

Special Jurisdictional Note :

Details :

Heli - Arc Welding will be paid \$.30 above Journeyman rate. Additional compensation of 10% over the Journeyman Lineman and Journeyman Technician for performing work on structures outside of buildings such as water towers, smoke stacks, radio and television towers, more than 75' above the ground.

Prevailing Wage Rate Skilled Crafts

Name of Union: Electrical Local 71 Outside Cincinnati

Change # : LCN01-2017fbLoc71Cincinnati

Craft : Lineman Effective Date : 03/29/2017 Last Posted : 03/29/2017

	BHR	Fringe Benefit Payments						Irrevocable Fund		Total PWR	Overtime Rate
		H&W	Pension	App Tr.	Vac.	Annuity	Other	LECET (*)	MISC (*)		
Classification											
Electrical Lineman	\$36.64	\$5.50	\$1.10	\$0.37	\$0.00	\$6.60	\$0.06	\$0.00	\$0.00	\$50.27	\$68.59
Traffic Signal & Lighting Journeyman	\$35.26	\$5.50	\$1.06	\$0.35	\$0.00	\$6.35	\$0.06	\$0.00	\$0.00	\$48.58	\$66.21
Equipment Operator	\$32.24	\$5.50	\$0.97	\$0.32	\$0.00	\$5.80	\$0.06	\$0.00	\$0.00	\$44.89	\$61.01
Groundman 0-12 months (W/O CDL)	\$19.70	\$5.50	\$0.59	\$0.20	\$0.00	\$3.55	\$0.06	\$0.00	\$0.00	\$29.60	\$39.45
Groundman 0-21 Months (W/CDL)	\$21.49	\$5.50	\$0.64	\$0.21	\$0.00	\$3.87	\$0.06	\$0.00	\$0.00	\$31.77	\$42.52
Groundman 1 Year or More (W/CDL)	\$23.28	\$5.50	\$0.70	\$0.23	\$0.00	\$4.19	\$0.06	\$0.00	\$0.00	\$33.96	\$45.60
Traffic Signal Apprentices											
1st 1,000 hours	\$21.16	\$5.50	\$0.63	\$0.21	\$0.00	\$3.81	\$0.06	\$0.00	\$0.00	\$31.37	\$41.95
2nd 1,000 hours	\$22.92	\$5.50	\$0.69	\$0.23	\$0.00	\$4.13	\$0.06	\$0.00	\$0.00	\$33.53	\$44.99
3rd 1,000 hours	\$24.68	\$5.50	\$0.74	\$0.25	\$0.00	\$4.44	\$0.06	\$0.00	\$0.00	\$35.67	\$48.01
4th 1,000 hours	\$26.45	\$5.50	\$0.79	\$0.26	\$0.00	\$4.76	\$0.06	\$0.00	\$0.00	\$37.82	\$51.04
5th 1,000 hours	\$28.21	\$5.50	\$0.85	\$0.28	\$0.00	\$5.08	\$0.06	\$0.00	\$0.00	\$39.98	\$54.09
6th 1,000 hours	\$31.73	\$5.50	\$0.95	\$0.32	\$0.00	\$5.71	\$0.06	\$0.00	\$0.00	\$44.27	\$60.14

Apprentice Lineman	Percent											
1st 1,000 Hours	60.00	\$21.98	\$5.50	\$0.66	\$0.22	\$0.00	\$3.96	\$0.06	\$0.00	\$0.00	\$32.38	\$43.38
2nd 1,000 Hours	65.00	\$23.82	\$5.50	\$0.71	\$0.24	\$0.00	\$4.29	\$0.06	\$0.00	\$0.00	\$34.62	\$46.52
3rd 1,000 Hours	70.00	\$25.65	\$5.50	\$0.77	\$0.26	\$0.00	\$4.62	\$0.06	\$0.00	\$0.00	\$36.86	\$49.68
4th 1,000 Hours	75.00	\$27.48	\$5.50	\$0.82	\$0.27	\$0.00	\$4.95	\$0.06	\$0.00	\$0.00	\$39.08	\$52.82
5th 1,000 Hours	80.00	\$29.31	\$5.50	\$0.88	\$0.29	\$0.00	\$5.28	\$0.06	\$0.00	\$0.00	\$41.32	\$55.98
6th 1,000 Hours	85.00	\$31.14	\$5.50	\$0.93	\$0.31	\$0.00	\$5.61	\$0.06	\$0.00	\$0.00	\$43.55	\$59.13
7th 1,000 Hours	90.00	\$32.98	\$5.50	\$0.99	\$0.33	\$0.00	\$5.94	\$0.06	\$0.00	\$0.00	\$45.80	\$62.28

Special Calculation Note : Other is Safety & Education Fund.

Ratio :

1 Journeymen to 1 Apprentice

Jurisdiction (* denotes special jurisdictional note) :

BROWN, BUTLER, CLERMONT, HAMILTON, WARREN

Special Jurisdictional Note :

Details :

A groundman when directed shall assist a Journeyman in the performance of his/her work on the ground, including the use of hand tools. A Groundman under no circumstances shall climb poles, towers, ladders, or work from an elevated platform or bucket truck.

No more than three (3) Groundmen shall work alone. Jobs with more that three Groundmen shall be supervised by a Groundcrew Foreman, Journeyman Lineman, Journeyman Traffic Signal Technician or an Equipment Operator.

Scope of Work: installation and maintenance of highway and street lighting, highway and street sign lighting, electronic message boards and traffic control systems, camera systems, traffic signal work, substation and line construction including overhead and underground projects for private and industrial work as in accordance with the IBEW Constitution. This Agreement includes the operation of all tools and equipment necessary for the installation of the above projects.

Prevailing Wage Rate Skilled Crafts

Name of Union: Electrical Local 71 Outside Utility Power

Change # : LCN01-2018fbLoc7

Craft : Lineman Effective Date : 03/28/2018 Last Posted : 03/28/2018

	BHR	Fringe Benefit Payments						Irrevocable Fund		Total PWR	Overtime Rate
		H&W	Pension	App Tr.	Vac.	Annuity	Other	LECET (*)	MISC (*)		
Classification											
Electrical Lineman	\$40.12	\$5.75	\$1.20	\$0.40	\$0.00	\$8.83	\$0.35	\$0.00	\$0.00	\$56.65	\$76.71
Substation Technician	\$40.12	\$5.75	\$1.20	\$0.40	\$0.00	\$8.83	\$0.35	\$0.00	\$0.00	\$56.65	\$76.71
Cable Splicer	\$41.99	\$5.75	\$1.26	\$0.42	\$0.00	\$9.24	\$0.35	\$0.00	\$0.00	\$59.01	\$80.00
Operator A	\$36.01	\$5.75	\$1.08	\$0.36	\$0.00	\$7.92	\$0.35	\$0.00	\$0.00	\$51.47	\$69.47
Operator B	\$31.90	\$5.75	\$0.96	\$0.32	\$0.00	\$7.02	\$0.35	\$0.00	\$0.00	\$46.30	\$62.25
Operator C	\$25.73	\$5.75	\$0.77	\$0.26	\$0.00	\$5.66	\$0.35	\$0.00	\$0.00	\$38.52	\$51.39
Groundman 0-12 months Exp	\$20.06	\$5.75	\$0.60	\$0.20	\$0.00	\$4.41	\$0.35	\$0.00	\$0.00	\$31.37	\$41.40
Groundman 0-12 months Exp w/CDL	\$22.07	\$5.75	\$0.66	\$0.22	\$0.00	\$4.86	\$0.35	\$0.00	\$0.00	\$33.91	\$44.95
Groundman 1 yr or more	\$22.07	\$5.75	\$0.66	\$0.22	\$0.00	\$4.86	\$0.35	\$0.00	\$0.00	\$33.91	\$44.95
Groundman 1 yr or more w/CDL	\$26.08	\$5.75	\$0.78	\$0.26	\$0.00	\$5.74	\$0.35	\$0.00	\$0.00	\$38.96	\$52.00
Equipment Mechanic A	\$31.90	\$5.75	\$0.96	\$0.32	\$0.00	\$7.02	\$0.35	\$0.00	\$0.00	\$46.30	\$62.25
Equipment Mechanic B	\$28.83	\$5.75	\$0.86	\$0.29	\$0.00	\$6.34	\$0.35	\$0.00	\$0.00	\$42.42	\$56.84
Equipment Mechanic C	\$25.73	\$5.75	\$0.77	\$0.26	\$0.00	\$5.66	\$0.35	\$0.00	\$0.00	\$38.52	\$51.39
Line Truck w/uuger	\$28.39	\$5.75	\$0.85	\$0.28	\$0.00	\$6.25	\$0.35	\$0.00	\$0.00	\$41.87	\$56.07
Apprentice	Percent										

1st 1000 hrs	60.00	\$24.07	\$5.75	\$0.72	\$0.24	\$0.00	\$5.30	\$0.35	\$0.00	\$0.00	\$36.43	\$48.47
2nd 1000 hrs	65.00	\$26.08	\$5.75	\$0.78	\$0.26	\$0.00	\$5.74	\$0.35	\$0.00	\$0.00	\$38.96	\$52.00
3rd 1000 hrs	70.00	\$28.08	\$5.75	\$0.84	\$0.28	\$0.00	\$6.18	\$0.35	\$0.00	\$0.00	\$41.48	\$55.53
4th 1000 hrs	75.00	\$30.09	\$5.75	\$0.90	\$0.30	\$0.00	\$6.62	\$0.35	\$0.00	\$0.00	\$44.01	\$59.05
5th 1000 hrs	80.00	\$32.10	\$5.75	\$0.96	\$0.32	\$0.00	\$7.06	\$0.35	\$0.00	\$0.00	\$46.54	\$62.58
6th 1000 hrs	85.00	\$34.10	\$5.75	\$1.02	\$0.34	\$0.00	\$7.50	\$0.35	\$0.00	\$0.00	\$49.06	\$66.11
7th 1000 hrs	90.00	\$36.11	\$5.75	\$1.08	\$0.36	\$0.00	\$7.94	\$0.35	\$0.00	\$0.00	\$51.59	\$69.64

Special Calculation Note : Other is Health Retirement Account

Operator "A"

John Henry Rock Drill, D-6 (or equivalent) and above, Trackhoe Digger, (320 Track excavator), Cranes (greater then 25 tons and less than 45 tons).

Operator "B"

Cranes (greater than 6 tons and up to 25 tons), Backhoes, Road Tractor, Dozer up to D-5, Pressure Digger- wheeled or tracked, all Tension wire Stringing equipment.

Operator "C"

Trench, Backhoe, Riding type vibratory Compactor, Ground Rod Driver, Boom Truck (6 ton & below), Skid Steer Loaders, Material Handler.

Ratio :

(1) Journeyman Lineman to (1) Apprentice

Jurisdiction (* denotes special jurisdictional note) :

ADAMS, ASHLAND, ASHTABULA, ATHENS, AUGLAIZE, BELMONT, BROWN, BUTLER, CARROLL, CHAMPAIGN, CLARK, CLERMONT, CLINTON, COLUMBIANA, COSHOCTON, CRAWFORD, CUYAHOGA, DARKE, DELAWARE, FAIRFIELD, FAYETTE, FRANKLIN, GALLIA, GEauga, GREENE, GUERNSEY, HAMILTON, HARRISON, HIGHLAND, HOCKING, HOLMES, JACKSON, JEFFERSON, KNOX, LAKE, LAWRENCE, LICKING, LOGAN, LORAIN, MADISON, MAHONING, MARION, MEDINA, MEIGS, MERCER, MIAMI, MONROE, MONTGOMERY, MORGAN, MORROW, MUSKINGUM, NOBLE, PERRY, PICKAWAY, PIKE, PORTAGE, PREBLE, RICHLAND, ROSS, SCIOTO, SHELBY, STARK, SUMMIT, TRUMBULL, TUSCARAWAS, UNION, VINTON, WARREN, WASHINGTON, WAYNE

Special Jurisdictional Note : 0.30 is for Health Retirement Account.

Details :

Heli - Arc Welding will be paid \$.30 above Journeyman rate. Additional compensation of 10% over the Journeyman Lineman and Journeyman Technician for performing work on structures outside of buildings such

as water towers, smoke stacks, radio and television towers, more than 75' above the ground.

Prevailing Wage Rate Skilled Crafts

Name of Union: Electrical Local 71 Voice Data Video Outside

Change # : LCR01-2017fbLoc71VDV

Craft : Voice Data Video Effective Date : 10/18/2017 Last Posted : 10/18/2017

	BHR	Fringe Benefit Payments						Irrevocable Fund		Total PWR	Overtime Rate
		H&W	Pension	App Tr.	Vac.	Annuity	Other	LECET (*)	MISC (*)		
Classification											
Electrical Installer Technician I	\$23.46	\$5.50	\$0.70	\$0.00	\$0.00	\$0.30	\$0.00	\$0.00	\$0.00	\$29.96	\$41.69
Installer Technician II	\$22.37	\$5.50	\$0.67	\$0.00	\$0.00	\$0.30	\$0.00	\$0.00	\$0.00	\$28.84	\$40.03
Equipment Operator I	\$22.37	\$5.50	\$0.67	\$0.00	\$0.00	\$0.30	\$0.00	\$0.00	\$0.00	\$28.84	\$40.03
Equipment Operator II	\$18.43	\$5.50	\$0.55	\$0.00	\$0.00	\$0.30	\$0.00	\$0.00	\$0.00	\$24.78	\$33.99
Installer/Repair Outside	\$22.37	\$5.50	\$0.67	\$0.00	\$0.00	\$0.30	\$0.00	\$0.00	\$0.00	\$28.84	\$40.03
Ground Driver W/CDL	\$15.83	\$5.50	\$0.47	\$0.00	\$0.00	\$0.30	\$0.00	\$0.00	\$0.00	\$22.10	\$30.01
Groundman	\$13.24	\$5.50	\$0.40	\$0.00	\$0.00	\$0.30	\$0.00	\$0.00	\$0.00	\$19.44	\$26.06
Cable Splicer	\$23.46	\$5.50	\$0.70	\$0.00	\$0.00	\$0.30	\$0.00	\$0.00	\$0.00	\$29.96	\$41.69

Special Calculation Note :

Ratio :

Jurisdiction (* denotes special jurisdictional note) :

ADAMS, ASHLAND, ASHTABULA, ATHENS, AUGLAIZE, BELMONT, BROWN, BUTLER, CARROLL, CHAMPAIGN, CLARK, CLERMONT, CLINTON, COLUMBIANA, COSHOCTON, CRAWFORD, CUYAHOGA, DARKE, DELAWARE, FAIRFIELD, FAYETTE, FRANKLIN, GALLIA, GEauga, GREENE, GUERNSEY, HAMILTON, HARRISON, HIGHLAND, HOCKING, HOLMES, JACKSON, JEFFERSON, KNOX, LAKE, LAWRENCE, LICKING, LOGAN, LORAIN, MADISON, MAHONING, MARION, MEDINA, MEIGS, MERCER, MIAMI, MONROE,

MONTGOMERY, MORGAN, MORROW,
MUSKINGUM, NOBLE, PERRY, PICKAWAY, PIKE,
PORTAGE, PREBLE, RICHLAND, ROSS, SCIOTO,
SHELBY, STARK, SUMMIT, TRUMBULL,
TUSCARAWAS, UNION, VINTON, WARREN,
WASHINGTON, WAYNE

Special Jurisdictional Note :

Details :

Cable Splicer: Inspect and test lines or cables, analyze results, and evaluate transmission characteristics. Cover conductors with insulation or seal splices with moisture-proof covering. Install, splice, test, and repair cables using tools or mechanical equipment. This will include the splicing of fiber.

Journeyman Technician I: Must know all aspects of telephone and cable work. This is to include aerial, underground, and manhole work. Must know how to climb and run bucket. Must have all the tools required to perform these tasks. Must be able to be responsible for the safety of the crew at all times. Must also have CDL license and have at least 5 years experience.

Installer/Repairman: Perform tasks of repairing, installing, and testing phone and CATV services.

Technician II: Have at least three years of telephone and CATV experience. Must have the knowledge of underground, aerial, and manhole work. Must be able to climb and operate bucket. Must have CDL. Must have all tools needed to perform these tasks.

Equipment Operator I: Able to operate a digger derrick or bucket truck. Have at least 5 years of experience and must have a valid CDL license.

Equipment Operator II: Able to operate a digger derrick or bucket truck. Have at least 3 years of experience and must have a valid CDL license.

Groundman W/CDL: Must have a valid CDL license and be able to perform tasks such as: climbing poles, pulling downguys, making up material, and getting appropriate tools for the job. Must have at least 5 year's experience.

Groundman: Perform tasks such as: climbing poles, pulling downguys, making up material, and getting appropriate tools for the job. Experience 0-5 years.

Prevailing Wage Rate Skilled Crafts

Name of Union: Elevator Local 11

Change # : LCN01-2019fbLoc11

Craft : Elevator Effective Date : 01/09/2019 Last Posted : 01/09/2019

Classification	BHR		Fringe Benefit Payments					Irrevocable Fund		Total PWR	Overtime Rate	
			H&W	Pension	App Tr.	Vac.	Annuity	Other	LECET (*)			MISC (*)
Elevator Mechanic	\$45.73		\$15.58	\$9.96	\$0.62	\$3.66	\$7.55	\$1.46	\$0.00	\$0.00	\$84.56	\$107.42
Probationary Apprentice	50.00	\$22.86	\$0.00	\$0.00	\$0.00	\$1.37	\$0.00	\$0.73	\$0.00	\$0.00	\$24.96	\$36.40
1st year	55.00	\$25.15	\$15.58	\$9.96	\$0.62	\$1.51	\$7.55	\$0.80	\$0.00	\$0.00	\$61.17	\$73.75
2nd year	65.00	\$29.72	\$15.58	\$9.96	\$0.62	\$1.78	\$7.55	\$0.95	\$0.00	\$0.00	\$66.16	\$81.03
3rd year	70.00	\$32.01	\$15.58	\$9.96	\$0.62	\$1.92	\$7.55	\$1.02	\$0.00	\$0.00	\$68.66	\$84.67
4th year	80.00	\$36.58	\$15.58	\$9.96	\$0.62	\$2.19	\$7.55	\$1.17	\$0.00	\$0.00	\$73.65	\$91.95
Helper	70.00	\$32.01	\$15.58	\$9.96	\$0.62	\$1.92	\$7.55	\$1.02	\$0.00	\$0.00	\$68.66	\$84.67
Assistant Mechanic	80.00	\$36.58	\$15.58	\$9.96	\$0.62	\$2.19	\$7.55	\$1.17	\$0.00	\$0.00	\$73.65	\$91.95

Special Calculation Note : Other is Holiday Pay. Vacation calculated at 6%.

Ratio :

The total number of Helpers & Apprentices employed shall not exceed the number of Mechanics on any one job, except on jobs where (2) teams or more are working, (1) extra Helper or Apprentice may be employed for the first (2) teams and an extra Helper or Apprentice for each additional (3) teams.

- 1 Journeymen to 1 Apprentice
- 2 Journeymen to 5 Apprentice
- 3 Journeymen to 6 Apprentice

Jurisdiction (* denotes special jurisdictional note) :

ADAMS, BROWN, BUTLER, CLERMONT, CLINTON, DARKE, GREENE, HAMILTON, HIGHLAND, MIAMI, MONTGOMERY, PREBLE, SCIOTO, SHELBY, WARREN

Special Jurisdictional Note :

Details :

Prevailing Wage Rate

Skilled Crafts

Name of Union: Glazier Local 387

Change # : LCN01-2019fbLoc387

Craft : Glazier Effective Date : 01/30/2019 Last Posted : 01/30/2019

	BHR		Fringe Benefit Payments					Irrevocable Fund		Total PWR	Overtime Rate	
			H&W	Pension	App Tr.	Vac.	Annuity	Other	LECET (*)			MISC (*)
Classification												
Glazier	\$26.73		\$5.47	\$9.00	\$0.25	\$0.00	\$0.00	\$0.00	\$0.00	\$0.00	\$41.45	\$54.82
Apprentice	Percent											
1st 6 months	56.10	\$15.00	\$5.47	\$0.00	\$0.25	\$0.00	\$0.00	\$0.00	\$0.00	\$0.00	\$20.72	\$28.21
2nd 6 months	65.00	\$17.37	\$5.47	\$5.09	\$0.25	\$0.00	\$0.00	\$0.00	\$0.00	\$0.00	\$28.18	\$36.87
3rd 6 months	70.00	\$18.71	\$5.47	\$5.61	\$0.25	\$0.00	\$0.00	\$0.00	\$0.00	\$0.00	\$30.04	\$39.40
4th 6 months	75.00	\$20.05	\$5.47	\$5.75	\$0.25	\$0.00	\$0.00	\$0.00	\$0.00	\$0.00	\$31.52	\$41.54
5th 6 months	80.00	\$21.38	\$5.47	\$6.33	\$0.25	\$0.00	\$0.00	\$0.00	\$0.00	\$0.00	\$33.43	\$44.13
6th 6 months	85.00	\$22.72	\$5.47	\$6.47	\$0.25	\$0.00	\$0.00	\$0.00	\$0.00	\$0.00	\$34.91	\$46.27
7th 6 months	90.00	\$24.06	\$5.47	\$6.99	\$0.25	\$0.00	\$0.00	\$0.00	\$0.00	\$0.00	\$36.77	\$48.80
8th 6 months	95.00	\$25.39	\$5.47	\$7.58	\$0.25	\$0.00	\$0.00	\$0.00	\$0.00	\$0.00	\$38.69	\$51.39

Special Calculation Note : No special calculations for this skilled craft wage rate are required at this time.

Ratio :

Each employer may employ and train Apprentices in the following ratio to journey workers employed: 1 apprentice per 3 Journeymen

Jurisdiction (* denotes special jurisdictional note) :

ADAMS, BROWN, BUTLER, CHAMPAIGN, CLARK, CLERMONT, CLINTON, DARKE, FAYETTE*, GREENE, HAMILTON, HIGHLAND, MIAMI, MONTGOMERY, PREBLE, SHELBY*, WARREN

Special Jurisdictional Note : Fayette County: Eastern portion of route #41 being the dividing line between locals 372 and 387. Local 387 has jurisdiction of projects built on property which borders route #41 East. Shelby County: Southern portion of routes #47 & 29.

Details :

MORROW, MUSKINGUM, NOBLE, PAULDING,
 PERRY, PICKAWAY, PIKE, PREBLE, PUTNAM,
 RICHLAND, ROSS, SCIOTO, SENECA, SHELBY,
 TUSCARAWAS, UNION, VAN WERT, VINTON,
 WARREN, WASHINGTON, WAYNE, WILLIAMS,
 WYANDOT

Special Jurisdictional Note : Hod Carriers and Common Laborers - Heavy, Highway, Sewer, Waterworks, Utility, Airport, Railroad, Industrial and Building Site, Sewer Plant, Waste Water Treatment Facilities Construction

Details :

Group 1

Laborer (Construction); Plant Laborer or Yardman, Right-of-way Laborer, Landscape Laborer, Highway Lighting Worker, Signalization Worker, (Swimming) Pool Construction Laborer, Utility Man, *Bridge Man, Handyman, Joint Setter, Flagperson, Carpenter Helper, Waterproofing Laborer, Slurry Seal, Seal Coating, Surface Treatment or Road Mix Laborer, Riprap Laborer & Grouter, Asphalt Laborer, Dump Man (batch trucks), Guardrail & Fence Installer, Mesh Handler & Placer, Concrete Curing Applicator, Scaffold Erector, Sign Installer, Hazardous Waste (level D), Diver Helper, Zone Person and Traffic Control.

*Bridge Man will perform work as per the October 31, 1949, memorandum on concrete forms, by and between the United Brotherhood of Carpenters and Joiners of America and the Laborers' International Union of North America, which states in; "the moving, cleaning, oiling and carrying to the next point of erection, and the stripping of forms which are not to be re-used, and forms on all flat arch work shall be done by members of the Laborers' International Union of North America."

Group 2

Asphalt Raker, Screwman or Paver, Concrete Puddler, Kettle Man (pipeline), All Machine-Driven Tools (Gas, Electric, Air), Mason Tender, Brick Paver, Mortar Mixer, Skid Steer, Sheeting & Shoring Person, Surface Grinder Person, Screedperson, Water Blast, Hand Held Wand, Power Buggy or Power Wheelbarrow, Paint Striper, Plastic fusing Machine Operator, Rodding Machine Operator, Pug Mill Operator, Operator of All Vacuum Devices Wet or Dry, Handling of all Pumps 4 inches and under (gas, air or electric), Diver, Form Setter, Bottom Person, Welder Helper (pipeline), Concrete Saw Person, Cutting with Burning Torch, Pipe Layer, Hand Spiker (railroad), Underground Person (working in sewer and waterline, cleaning, repairing and reconditioning), Tunnel Laborer (without air), Caisson, Cofferdam (below 25 feet deep), Air Track and Wagon Drill, Sandblaster Nozzle Person, Hazardous Waste (level B), ***Lead Abatement, Hazardous Waste (level C)

***Includes the erecting of structures for the removal, including the encapsulation and containment of Lead abatement process.

Group 3

Blast and Powder Person, Muckers will be defined as shovel men working directly with the miners, Wrencher (mechanical joints & utility pipeline), Yarnier, Top Lander, Hazardous Waste (level A), Concrete Specialist, Curb Setter and Cutter, Grade Checker, Concrete Crew in Tunnels. Utility pipeline Tappers, Waterline, Caulker, Signal Person will receive the rate equal to the rate paid the Laborer classification for which the Laborer is signaling.

Group 4

Miner, Welder, Gunitite Nozzle Person

A.) The Watchperson shall be responsible to patrol and maintain a safe traffic zone including but not limited to barrels, cones, signs, arrow boards, message boards etc.

Prevailing Wage Rate Skilled Crafts

Name of Union: Labor Local 534 Building

Change # : LCNO1-2018fbLoc534

Craft : Laborer Effective Date : 06/20/2018 Last Posted : 06/20/2018

	BHR		Fringe Benefit Payments					Irrevocable Fund		Total PWR	Overtime Rate	
			H&W	Pension	App Tr.	Vac.	Annuity	Other	LECET (*)			MISC (*)
Classification												
Laborer Group 1	\$26.84		\$6.90	\$3.60	\$0.45	\$0.00	\$0.00	\$0.00	\$0.10	\$0.00	\$37.89	\$51.31
Laborer Group 2	\$26.94		\$6.90	\$3.60	\$0.45	\$0.00	\$0.00	\$0.00	\$0.10	\$0.00	\$37.99	\$51.46
Laborer Group 3	\$27.04		\$6.90	\$3.60	\$0.45	\$0.00	\$0.00	\$0.00	\$0.10	\$0.00	\$38.09	\$51.61
Laborer Group 4	\$27.17		\$6.90	\$3.60	\$0.45	\$0.00	\$0.00	\$0.00	\$0.10	\$0.00	\$38.22	\$51.81
Laborer Group 5	\$27.42		\$6.90	\$3.60	\$0.45	\$0.00	\$0.00	\$0.00	\$0.10	\$0.00	\$38.47	\$52.18
Laborer Group 6	\$27.19		\$6.90	\$3.60	\$0.45	\$0.00	\$0.00	\$0.00	\$0.10	\$0.00	\$38.24	\$51.84
Laborer Group 7	\$26.39		\$6.90	\$3.60	\$0.45	\$0.00	\$0.00	\$0.00	\$0.10	\$0.00	\$37.44	\$50.64
Apprentice	Percent											
0-1000 hrs	60.00	\$16.10	\$6.90	\$3.60	\$0.45	\$0.00	\$0.00	\$0.00	\$0.10	\$0.00	\$27.15	\$35.21
1001-2000 hrs	70.00	\$18.79	\$6.90	\$3.60	\$0.45	\$0.00	\$0.00	\$0.00	\$0.10	\$0.00	\$29.84	\$39.23
2001-3000 hrs	80.00	\$21.47	\$6.90	\$3.60	\$0.45	\$0.00	\$0.00	\$0.00	\$0.10	\$0.00	\$32.52	\$43.26
3001-4000	90.00	\$24.16	\$6.90	\$3.60	\$0.45	\$0.00	\$0.00	\$0.00	\$0.10	\$0.00	\$35.21	\$47.28

Special Calculation Note : No special calculations for this skilled craft wage rate are required at this time.

Ratio :

1 Journeyman to 1 Apprentice
3 Journeyman to 1 Apprentice

Jurisdiction (* denotes special jurisdictional note) :

BUTLER, WARREN

Special Jurisdictional Note :

Details :

Note:

Group 1: Building & Common Laborer; All general laborers work including all forms of landscaping, Rough Rider - all pump's 4 inch or smaller, Small Pump Portable Generators-Bobcat to Cleanup, Firewatch and Monitor, (Safety Person)

Group 2: Asphalt Raker, Tamper, Smoother, Hand Air Pump, Hand air Tamper, Chisel, Power Tamper, Operator, Switch, Assemblies, Handling & Laying Precast Concrete Floors & Deck Tool Repairman.

Group 3: Concrete Specialist; Skid Steers (with attachments to perform Laborer's duties) Jack Hammer * Concrete Busterman, Barco Tamper Man, Power Georgia Buggy Man, Power Sweeper Man, Vibrator, Concrete Saw Man, Rail Spikers, Acetylene Burner, Pipelayers, Bos'n Cradleman, Bottom Man, Chipping Hammer Grade Checker, Radio Operator, Form Cleanout & blowout Man, Red Concrete Coloring Man (Electrical Safety)

Group 4: Mason Tender, Mortar Mixers & Scaffold Builders

Group 5: Fork Lift for Mason, all work involving Refractory Materials Including Demolition of Refractory Materials.

Asbestos Removal and Hazardous Waste Removal (handling, control, removal abatement, encapsulation or disposal of asbestos & hazardous waste),

Group 6: Gunnite Man, Sand Blaster, Concrete & Grout Pump & Hose Man, Blast Trac, Miners & Muckers, Free Air, Powderman or Blaster, Mortar or Gypsum Machineman, Welder, Scuba Diver.

Group 7: Watchman & Tool Checker/Toolroom Man

Prevailing Wage Rate Skilled Crafts

Name of Union: Operating Engineers - Building Local 18 - Zone III

Change # : LCN01-2018fbLoc18zone3

Craft : Operating Engineer Effective Date : 07/05/2018 Last Posted : 07/05/2018

	BHR		Fringe Benefit Payments					Irrevocable Fund		Total PWR	Overtime Rate	
			H&W	Pension	App Tr.	Vac.	Annuity	Other	LECET (*)			MISC (*)
Classification												
Operator Class 1	\$35.89		\$8.26	\$6.00	\$0.80	\$0.00	\$0.00	\$0.09	\$0.00	\$0.00	\$51.04	\$68.98
Class 2	\$35.77		\$8.26	\$6.00	\$0.80	\$0.00	\$0.00	\$0.09	\$0.00	\$0.00	\$50.92	\$68.80
Class 3	\$34.73		\$8.26	\$6.00	\$0.80	\$0.00	\$0.00	\$0.09	\$0.00	\$0.00	\$49.88	\$67.24
Class 4	\$33.55		\$8.26	\$6.00	\$0.80	\$0.00	\$0.00	\$0.09	\$0.00	\$0.00	\$48.70	\$65.47
Class 5	\$28.09		\$8.26	\$6.00	\$0.80	\$0.00	\$0.00	\$0.09	\$0.00	\$0.00	\$43.24	\$57.28
Class 6	\$36.14		\$8.26	\$6.00	\$0.80	\$0.00	\$0.00	\$0.09	\$0.00	\$0.00	\$51.29	\$69.36
Class 7	\$36.39		\$8.26	\$6.00	\$0.80	\$0.00	\$0.00	\$0.09	\$0.00	\$0.00	\$51.54	\$69.73
Class 8	\$36.89		\$8.26	\$6.00	\$0.80	\$0.00	\$0.00	\$0.09	\$0.00	\$0.00	\$52.04	\$70.48
Class 9	\$37.14		\$8.26	\$6.00	\$0.80	\$0.00	\$0.00	\$0.09	\$0.00	\$0.00	\$52.29	\$70.86
Apprentice	Percent											
1st Year	50.00	\$17.94	\$8.26	\$6.00	\$0.80	\$0.00	\$0.00	\$0.09	\$0.00	\$0.00	\$33.10	\$42.07
2nd Year	60.00	\$21.53	\$8.26	\$6.00	\$0.80	\$0.00	\$0.00	\$0.09	\$0.00	\$0.00	\$36.68	\$47.45
3rd Year	70.00	\$25.12	\$8.26	\$6.00	\$0.80	\$0.00	\$0.00	\$0.09	\$0.00	\$0.00	\$40.27	\$52.83
4th Year	80.00	\$28.71	\$8.26	\$6.00	\$0.80	\$0.00	\$0.00	\$0.09	\$0.00	\$0.00	\$43.86	\$58.22
Field Mechanic Trainee												
1st Year	50.00	\$17.94	\$8.26	\$6.00	\$0.80	\$0.00	\$0.00	\$0.09	\$0.00	\$0.00	\$33.10	\$42.07
2nd Year	60.00	\$21.53	\$8.26	\$6.00	\$0.80	\$0.00	\$0.00	\$0.09	\$0.00	\$0.00	\$36.68	\$47.45
3rd Year	70.00	\$25.12	\$8.26	\$6.00	\$0.80	\$0.00	\$0.00	\$0.09	\$0.00	\$0.00	\$40.27	\$52.83
4th Year	80.00	\$28.71	\$8.26	\$6.00	\$0.80	\$0.00	\$0.00	\$0.09	\$0.00	\$0.00	\$43.86	\$58.22

Special Calculation Note : Other: Education & Safety \$0.09

Ratio :

For every (3) Operating Engineer Journeymen employed by the company there may be employed (1) Registered Apprentice or trainee Engineer through the referral when they are available. An apprentice, while employed as part of a crew per Article VIII, paragraph

Jurisdiction (* denotes special jurisdictional note) :

ADAMS, ALLEN, ASHLAND, ATHENS, AUGLAIZE, BELMONT, BROWN, BUTLER, CARROLL, CHAMPAIGN, CLARK, CLERMONT, CLINTON, COSHOCTON, CRAWFORD, DARKE, DEFIANCE, DELAWARE, FAIRFIELD, FAYETTE, FRANKLIN, FULTON, GALLIA, GREENE,

77, will not be subject to the apprenticeship ratios in this collective bargaining agreement

GUERNSEY, HAMILTON, HANCOCK, HARDIN, HARRISON, HENRY, HIGHLAND, HOCKING, HOLMES, JACKSON, JEFFERSON, KNOX, LAWRENCE, LICKING, LOGAN, MADISON, MARION, MEIGS, MERCER, MIAMI, MONROE, MONTGOMERY, MORGAN, MORROW, MUSKINGUM, NOBLE, OTTAWA, PAULDING, PERRY, PICKAWAY, PIKE, PREBLE, PUTNAM, RICHLAND, ROSS, SANDUSKY, SCIOTO, SENECA, SHELBY, STARK, TUSCARAWAS, UNION, VAN WERT, VINTON, WARREN, WASHINGTON, WAYNE, WILLIAMS, WYANDOT

Special Jurisdictional Note :

Details :

**Apprentices will receive a 10% increase on top of the percentages listed above provided they are operating mobile equipment. Mechanic Trainees will receive 10% increase if required to have CDL

Class 1 - Barrier Moving Machine; Boiler Operators or Compressor Operators, when compressor or boiler is mounted on crane (Piggyback Operation); Boom Trucks (all types); Cableways Cherry Pickers; Combination - Concrete Mixers & Towers; All Concrete Pumps with Booms; Cranes (all types) Derricks (all types); Draglines Dredges (dipper, clam or suction) 3-man crew; Elevating Graders or Euclid Loaders; Floating Equipment; Gradalls; Helicopter Operators; hoisting building materials; Helicopter Winch Operators, Hoisting building materials; Hoes (All types); Hoists (with two or more drums in use): Hydraulic Gantry (lift system); Laser Finishing Machines; Lift Slab or Panel Jack Operators; Locomotives (all types); Maintenance Engineers (Mechanic and/or Welder); Mixers, paving (multiple drum); Mobile Concrete Pumps, with booms, Panelboards, (all types on site); Pile Drivers; Power Shovels; Prentice Loader; Rail Tamper (with automatic lifting and aligning device); Rotary Drills (all) used on caissons for foundations and sub-structure work; Side Booms; Slip Form Pavers; Straddle Carriers (Building Construction on site); Tug Boats. Horizontal Directional Drill, Rough Terrain Fork-lift with Winch/Hoist, Laser Screed, and Like equipment; Compact Cranes, track or rubber over 4,000 pound capacity, self-erecting cranes: stationary, track or truck (all configurations) bucket trench machines (over 24 " wide).

Class 2 - Asphalt Pavers; Bobcat-type and/or skid steer loader with hoe attachment greater than 7000 lbs. Bulldozers; CMI type Equipment; Endloaders; Hydro Milling Machine; Kolman-type Loaders (Dirt Loading); Lead Greasemen; Mucking Machines; Pettibone-Rail Equipment; Power Graders; Power Scoops; Power Scrapers; Push Cats; Vermeer Type Concrete Saw; All rotomills, grinders & planers of all types. Articulating/end dumps (minus \$4.00/hour from Class 2 rate)

Class 3 - A Frames; Air Compressors, Pressurizing Shafts or Tunnels; All Asphalt Rollers; Bobcat-type and/or skid steer loader with or without attachments; Boilers (15 lbs pressure and over); All concrete Pumps (without booms with 5 inch system); Fork Lifts (except masonry); Highway Drillers - all types (with integral power); Hoists (with one drum); House Elevators (except those automatic call button controlled); Man lifts; Mud Jacks; Pressure Grouting; Pump Operators (installing or operating Well Points or other types of Dewatering Systems); Pumps (4 inches and over discharge); Railroad Tie Inserter/Remover; Rotator (Lime-Soil Stabilizer); Submersible Pumps (4 inches and over discharge); Switch & Tie Tampers (without lifting and aligning device); Trench Machines (24 inches and under); Utility Operators; Material hoist/elevators.

Class 4 - Ballast Re-locator; Backfillers and Tampers; Batch Plant Operators; Bar and Joint Installing Machines; Bull Floats; Burlap and Curing Machines; Clefplanes; Compressors, on building construction; Concrete Spreader; Conveyors, used for handling building materials; Concrete Mixers, one bag capacity (side loader); Concrete Mixers, capacity more than one bag; Crushers; Deck Hands; Drum Fireman (in Asphalt Plant); Farm type tractors pulling attachments; Finishing Machines; Form Trenchers; Generators; Guniting Machines; Hydro-

Seeders; Pavement Breakers (hydraulic or cable); Post Drivers; Post Hole Diggers; Pressure Pumps (over 1/2 inch discharge); Road Widening Trenchers; Rollers (except asphalt); All Concrete pumps (without Boom with 4 inch or smaller systems); Self-Propelled Power Spreaders; Concrete Spreaders; Self-Propelled Sub-graders; Shotcrete Machines; Tire Repairmen; Tractors, pulling sheepfoot rollers or graders; VAC/ALLS; Vibratory Compactors, with integral power; Welder Operators.

Class 5 - Boilers (less than 15 lbs. pressure); Inboard/outboard Motor Boat Launches; Light Plant Operators; Masonry Fork Lifts; Oilers/Helpers; Power Driven Heaters (oil fired); Power Scrubbers; Power Sweepers; Pumps (under 4 inch discharge); Signalmen, Submersible Pumps (under 4 inch discharge). Directional Drill Locator and Allen Screed Concrete Paver. Fueling and greasing (plus \$3.00), compact cranes; track or rubber under 4,000 pounds.

Class 6 - Master Mechanic

Class 7 - Boom & Jib 150 - 180 feet

Class 8 - Boom & Jib 180 - 249 feet

Class 9 - Boom & Jib 250 - or over

Prevailing Wage Rate Skilled Crafts

Name of Union: Operating Engineers - HevHwy Zone II

Change # : LCN01-2018fbLoc18hevhwyl

Craft : Operating Engineer Effective Date : 07/05/2018 Last Posted : 07/05/2018

	BHR		Fringe Benefit Payments					Irrevocable Fund		Total PWR	Overtime Rate	
			H&W	Pension	App Tr.	Vac.	Annuity	Other	LECET (*)			MISC (*)
Classification												
Operator Class 1	\$35.89		\$8.26	\$6.00	\$0.80	\$0.00	\$0.00	\$0.09	\$0.00	\$0.00	\$51.04	\$68.98
Class 2	\$35.77		\$8.26	\$6.00	\$0.80	\$0.00	\$0.00	\$0.09	\$0.00	\$0.00	\$50.92	\$68.80
Class 3	\$34.73		\$8.26	\$6.00	\$0.80	\$0.00	\$0.00	\$0.09	\$0.00	\$0.00	\$49.88	\$67.24
Class 4	\$33.55		\$8.26	\$6.00	\$0.80	\$0.00	\$0.00	\$0.09	\$0.00	\$0.00	\$48.70	\$65.47
Class 5	\$28.09		\$8.26	\$6.00	\$0.80	\$0.00	\$0.00	\$0.09	\$0.00	\$0.00	\$43.24	\$57.28
Class 6	\$36.14		\$8.26	\$6.00	\$0.80	\$0.00	\$0.00	\$0.09	\$0.00	\$0.00	\$51.29	\$69.36
Apprentice	Percent											
1st Year	50.00	\$17.94	\$8.26	\$6.00	\$0.80	\$0.00	\$0.00	\$0.09	\$0.00	\$0.00	\$33.10	\$42.07
2nd Year	60.00	\$21.53	\$8.26	\$6.00	\$0.80	\$0.00	\$0.00	\$0.09	\$0.00	\$0.00	\$36.68	\$47.45
3rd Year	70.00	\$25.12	\$8.26	\$6.00	\$0.80	\$0.00	\$0.00	\$0.09	\$0.00	\$0.00	\$40.27	\$52.83
4th Year	80.00	\$28.71	\$8.26	\$6.00	\$0.80	\$0.00	\$0.00	\$0.09	\$0.00	\$0.00	\$43.86	\$58.22
Field Mech Trainee Class 2												
1st year	49.85	\$17.89	\$8.26	\$6.00	\$0.80	\$0.00	\$0.00	\$0.09	\$0.00	\$0.00	\$33.04	\$41.99
2nd year	59.78	\$21.46	\$8.26	\$6.00	\$0.80	\$0.00	\$0.00	\$0.09	\$0.00	\$0.00	\$36.61	\$47.33
3rd year	69.77	\$25.04	\$8.26	\$6.00	\$0.80	\$0.00	\$0.00	\$0.09	\$0.00	\$0.00	\$40.19	\$52.71
4th year	79.73	\$28.62	\$8.26	\$6.00	\$0.80	\$0.00	\$0.00	\$0.09	\$0.00	\$0.00	\$43.77	\$58.07

Special Calculation Note : Other: Education & Safety Fund is \$0.09 per hour.

Ratio :

For every (3) Operating Engineer Journeymen employed by the company , there may be employed (1) Registered Apprentice or Trainee Engineer through the referral when they are available. An apprentice, while employed as part of a crew per Article VIII paragraph 65, will not be subject the apprenticeship ratios in this collective bargaining agreement.

Jurisdiction (* denotes special jurisdictional note) :

- ADAMS, ALLEN, ASHLAND, ATHENS,
- AUGLAIZE, BELMONT, BROWN, BUTLER,
- CARROLL, CHAMPAIGN, CLARK, CLERMONT,
- CLINTON, COSHOCTON, CRAWFORD, DARKE,
- DEFIANCE, DELAWARE, FAIRFIELD, FAYETTE,
- FRANKLIN, FULTON, GALLIA, GREENE,
- GUERNSEY, HAMILTON, HANCOCK, HARDIN,
- HARRISON, HENRY, HIGHLAND, HOCKING,
- HOLMES, HURON, JACKSON, JEFFERSON,
- KNOX, LAWRENCE, LICKING, LOGAN, LUCAS,

MADISON, MARION, MEIGS, MERCER, MIAMI,
 MONROE, MONTGOMERY, MORGAN, MORROW,
 MUSKINGUM, NOBLE, OTTAWA, PAULDING,
 PERRY, PICKAWAY, PIKE, PREBLE, PUTNAM,
 RICHLAND, ROSS, SANDUSKY, SCIOTO,
 SENECA, SHELBY, STARK, TUSCARAWAS,
 UNION, VAN WERT, VINTON, WARREN,
 WASHINGTON, WAYNE, WILLIAMS, WOOD,
 WYANDOT

Special Jurisdictional Note :

Details :

**Apprentices will receive a 10% increase on top of the percentages listed above provided they are operating mobile equipment. Mechanic Trainees will receive 10% increase if they are required to have CDL.

Class 1 - Air Compressors on Steel Erection; Barrier Moving Machine; Boiler Operators, on Compressors or Generators, when mounted on a rig; Cableways, Combination Concrete mixers & Towers; Concrete Pumps; Concrete Plants (over 4 yd capacity); Cranes (all types, including Boom Trucks, Cherry Pickers); Derricks; Draglines, Dredgers (dipper, clam or suction); Elevating Graders or Euclid Loaders; Floating Equipment (all types); Gradalls, Helicopter Crew (Operator- hoist or winch); Hoes (all types); Hoisting Engines, on shaft or tunnel work; Hydraulic Gantry (lifting system); Industrial - Type Tractors; Jet Engine Dryers (D8 or D9), Diesel Tractors; Locomotives (standard gage); Maintenance Operators (class A); Mixers, paving (single or double drum); Mucking Machines; Multiple Scrapers; Piledriving Machines (all types); Power Shovels, Prentice Loader; Quad 9 (double pusher); Rail Tamper (with automatic lifting and aligning device); Refrigerating Machines (freezer operation); Side Booms; Slip Form Pavers; Tower Dericks; Tree Shredders; Truck Mounted Concrete Pumps; Tug Boats; Tunnel Machines and /or Mining Machines; Wheel Excavators. Rough Terrain Fork-lift with Winch/Hoist; Compact Cranes, track rubber over 4,000 pound capacity, self-erecting cranes; stationary, track or truck (all configurations) Bucket trench machines (over 24 inches wide).

Class 2 - Asphalt Pavers; Automatic Subgrade Machines, self-propelled (CMI-type); Bobcat-type and /or skid steer loader with hoe attachment greater than 7000 lbs.; Boring Machine Operators (more than 48 inches); Bulldozers; Endloaders; Hydro Milling Machine; Kolman-type Loaders (production type-dirt); Lead Greasemen; Maintenance Operators, Class B (Portage and Summit Counties only); Pettibone-Rail Equipment; Power Graders; Power Scrapers; Push Cats; Lighting and Traffic Signal Installation Equipment includes all groups or classifications; Trench Machines (24inch wide and under); Vermeer Type Concrete saw. Material Transfer Equipment (Shuttle buggy) Asphalt; All rotomills,grinders and planers of all types. Horizontal Directional Drill (Over 50,000 ft.lbs.thrust and over)

Class 3 - A-Frames; Air Compressors, on tunnel work (low Pressure); Asphalt Plant Engineers; Bobcat-type and/or skid steer loader with or without attachments; Power Boilers (15 lbs pressure and over); Highway Drills (all types); Rollers, asphalt; Pump Operators (installing or operating well Points); Pumps (4 inch and over discharge); Railroad Tie Inserter/Remover; Rotator (lime-soil Stabilizer), Switch & Tie Tampers (without lifting and aligning device); Locomotives (narrow gage); Mixers, concrete (more than one bag capacity); Mixers, one bag capacity (side loader); Utilities Operators, (small equipment); Welding Machines; Material hoist/elevators. Articulating/straight bed end dumps if assigned (minus \$4.00 per hour).

Class 4 -Ballast Re-locator; Backfillers, Batch Plants; Bar and Joint Installing Machines; Boring Machine Operators (48 inch or less); Bull Floats; Burlap and Curing Machines; Concrete Plants (capacity 4 yd and under); Conveyors (highway); Concrete Saws (multiple); Crushers; Deckhands; Farm type tractors, with attachments (highway), except masonry; Finishing Machines; Firemen, Floating Equipment (all types); Fork Lifts (highway); Form Trenchers; Hydro Hammers; Hydro Seeders; Pavement Breakers; Plant Mixers; Post Drivers; Post Hole Diggers (power auger); Power Brush Burners; Power Form Handling Equipment; Road Widening Trenchers; Rollers (brick, grade, macadam); Self-Propelled Power Spreaders; Self-Propelled Sub-

Graders; Tractors, pulling sheepsfoot rollers or graders; Steam Firemen; Vibratory Compactors, with integral power.

Class 5 - Compressors (portable, Sewer, Heavy and Highway); Generators; Inboard-Outboard Motor Boat Launches; Masonry Fork Lifts; Oilers/Helpers; Power Driven Heaters; Power Scrubbers; Power Sweepers; Pumps (under 4 inch discharge); Signalmen; Drum Fireman (in Asphalt Plant); Oil Heaters (Asphalt Plant); Tire Repairmen; VAC/ALLS; Fueling and greasing (plus \$3.00), compact cranes: track or rubber under 4,000 pounds.

Class 6 - Master Mechanic

Prevailing Wage Rate Skilled Crafts

Name of Union: Painter Local 123 & 238 HevHwy

Change # : LCN01-2018fbLoc123

Craft : Painter Effective Date : 05/01/2018 Last Posted : 04/25/2018

	BHR		Fringe Benefit Payments					Irrevocable Fund		Total PWR	Overtime Rate	
			H&W	Pension	App Tr.	Vac.	Annuity	Other	LECET (*)			MISC (*)
Classification												
Painter Bridge Class 1	\$25.61		\$5.08	\$4.40	\$0.31	\$0.00	\$0.00	\$0.00	\$0.00	\$0.00	\$35.40	\$48.21
Bridge Quality Control	\$17.07		\$5.08	\$4.40	\$0.31	\$0.00	\$0.00	\$0.00	\$0.00	\$0.00	\$26.86	\$35.40
Bridge Equipment Tender Containment Builder	\$21.95		\$5.08	\$4.40	\$0.31	\$0.00	\$0.00	\$0.00	\$0.00	\$0.00	\$31.74	\$42.71
Apprentice	Percent											
1st year	55.00	\$14.09	\$5.08	\$2.30	\$0.31	\$0.00	\$0.00	\$0.00	\$0.00	\$0.00	\$21.78	\$28.82
2nd year	65.00	\$16.65	\$5.08	\$2.30	\$0.31	\$0.00	\$0.00	\$0.00	\$0.00	\$0.00	\$24.34	\$32.66
3rd year	75.00	\$19.21	\$5.08	\$2.30	\$0.31	\$0.00	\$0.00	\$0.00	\$0.00	\$0.00	\$26.90	\$36.50
4th year	80.00	\$20.49	\$5.08	\$2.30	\$0.31	\$0.00	\$0.00	\$0.00	\$0.00	\$0.00	\$28.18	\$38.42

Special Calculation Note : Apprentices based on % of each Classification above.

Ratio :

- 1 Journeyman to 1 Apprentice per job
- 3 Journeyman to 1 Apprentice per company

Jurisdiction (* denotes special jurisdictional note) :

BROWN, BUTLER, CLERMONT, CLINTON, HAMILTON, WARREN

Special Jurisdictional Note :

Details :

Industrial Work paid as commercial work above for each class which includes, Industrial Plants, repair garages, processing plants, storage tanks, warehouses, skeletons structures, bridges unless highest point of clearance is 60 feet or more whether new or old construction offices and office buildings in industrial sites are at industrial rates. Heavy & Highway Bridges-Guard Rails- Light Poles. A hazardous steeplejack rate shall apply on radio towers, stacks, light towers, water towers, steeples, skeleton steel, and exterior industrial conveyors over 25 feet, where such items require steeplejack methods and the rate of pay shall be a \$1.00 per hour above the industrial rate. Steeplejack rate to apply to bridges where highest point of clearance is 60 feet.

Prevailing Wage Rate Skilled Crafts

Name of Union: Painter Local 639

Change # : LCNO1-2015fbLoc639

Craft : Painter Effective Date : 06/10/2015 Last Posted : 06/10/2015

	BHR	Fringe Benefit Payments						Irrevocable Fund		Total PWR	Overtime Rate
		H&W	Pension	App Tr.	Vac.	Annuity	Other	LECET (*)	MISC (*)		
Classification											
Painter Metal Finisher/Helpers											
Top Helper Class A	\$19.09	\$3.65	\$0.00	\$0.00	\$0.66	\$0.00	\$0.00	\$0.00	\$0.00	\$23.40	\$32.94
Top Helper Class B	\$19.09	\$3.65	\$0.65	\$0.00	\$1.03	\$0.00	\$0.37	\$0.00	\$0.00	\$24.79	\$34.33
Top Helper Class C	\$19.09	\$3.65	\$1.00	\$0.00	\$1.76	\$0.00	\$0.37	\$0.00	\$0.00	\$25.87	\$35.41
Helper Class A	\$14.69	\$3.65	\$0.00	\$0.00	\$0.51	\$0.00	\$0.00	\$0.00	\$0.00	\$18.85	\$26.19
Helper Class B	\$14.69	\$3.65	\$0.65	\$0.00	\$0.79	\$0.00	\$0.28	\$0.00	\$0.00	\$20.06	\$27.40
Helper Class C	\$14.69	\$3.65	\$1.00	\$0.00	\$1.64	\$0.00	\$0.28	\$0.00	\$0.00	\$21.26	\$28.60
New Hire 90 Days	\$11.00	\$3.65	\$0.00	\$0.00	\$0.00	\$0.00	\$0.00	\$0.00	\$0.00	\$14.65	\$20.15

Special Calculation Note : Other is Sick and Personal Time

Ratio :

Jurisdiction (* denotes special jurisdictional note) :

- ADAMS, ALLEN, ASHLAND, ASHTABULA,
- ATHENS, AUGLAIZE, BELMONT, BROWN,
- BUTLER, CARROLL, CHAMPAIGN, CLARK,
- CLERMONT, CLINTON, COLUMBIANA,
- COSHOCTON, CRAWFORD, CUYAHOGA, DARKE,
- DEFIANCE, DELAWARE, ERIE, FAIRFIELD,
- FAYETTE, FRANKLIN, FULTON, GALLIA,
- GEAUGA, GREENE, GUERNSEY, HAMILTON,
- HANCOCK, HARDIN, HARRISON, HENRY,
- HIGHLAND, HOCKING, HOLMES, HURON,
- JACKSON, JEFFERSON, KNOX, LAKE,
- LAWRENCE, LICKING, LOGAN, LORAIN, LUCAS,
- MADISON, MAHONING, MARION, MEDINA,
- MEIGS, MERCER, MIAMI, MONROE,
- MONTGOMERY, MORGAN, MORROW,
- MUSKINGUM, NOBLE, OTTAWA, PAULDING,
- PERRY, PICKAWAY, PIKE, PORTAGE, PREBLE,
- PUTNAM, RICHLAND, ROSS, SANDUSKY,

SCIOTO, SENECA, SHELBY, STARK, SUMMIT,
TRUMBULL, TUSCARAWAS, UNION, VAN WERT,
VINTON, WARREN, WASHINGTON, WAYNE,
WILLIAMS, WOOD, WYANDOT

Special Jurisdictional Note :

Details :

Top Helper: Shall perform the responsibilities of a Helper and be responsible for the setup, break down, safety and quality of the company's product.

Helper : Shall be responsible for performing tasks in refinishing, compliance with safety procedures, setting up and breaking down job sites, scaffolding and swing stages and preparing surfaces for refinishing including but not limited to, masking and stripping and cleaning, oxidizing, polishing and scratch removal on various surfaces

Class A Workers: Less than 1 Year of Service.

Class B Workers: More than 1 and less than 8 Years of Service.

Class C Workers: More than 8 Years of Service.

Metal Polisher Scope of Work: Polishing, buffing, stripping, coloring, lacquering, spraying, cleaning and maintenance of ornamental and architectural metals, iron, bronze, nickel, aluminum and stainless steel and in mental specialty work, various stone finishes, stone specialty work and any other work pertaining to the finishing of metal, stones, woods, and any window washing/cleaning done in conjunction with this work, using chemicals, solvents, coatings and hand applied lacquer thinner, removing scratches from mirror finished metals, burnishing of bronze, statuary finishes on exterior and interior surfaces and the use of all tools required to perform such work, including but not limited to polishes, spray equipment and scaffolding.

Swing State Rate: All work on scaffold 4 sections or higher, including any boom lifts and swing stage scaffolds including the rigging and derigging of hanging/suspended swing stage systems and rappelling/bolson chair work, ADD \$1.50 per hour.

Prevailing Wage Rate Skilled Crafts

Name of Union: Painter Local 639 Zone 2 Sign

Change # : LCN01-2016fbLoc639

Craft : Painter Effective Date : 08/03/2016 Last Posted : 08/03/2016

	BHR	Fringe Benefit Payments						Irrevocable Fund		Total PWR	Overtime Rate
		H&W	Pension	App Tr.	Vac.	Annuity	Other	LECET (*)	MISC (*)		
Classification											
Painter Sign Journeyman Tech/Team Leader Class A	\$21.25	\$1.33	\$0.14	\$0.00	\$0.00	\$0.00	\$0.57	\$0.00	\$0.00	\$23.29	\$33.92
Painter Sign Journeyman Tech/Team Leader Class B	\$21.25	\$1.33	\$0.14	\$0.00	\$0.41	\$0.00	\$0.57	\$0.00	\$0.00	\$23.70	\$34.32
Painter Sign Journeyman Tech/Team Leader Class C	\$21.25	\$1.33	\$0.14	\$0.00	\$0.82	\$0.00	\$0.57	\$0.00	\$0.00	\$24.11	\$34.74
Painter Sign Journeyman Tech/Team Leader Class D	\$21.25	\$1.33	\$0.14	\$0.00	\$1.23	\$0.00	\$0.57	\$0.00	\$0.00	\$24.52	\$35.14
Sign Journeyman Class A	\$20.98	\$1.33	\$0.14	\$0.00	\$0.00	\$0.00	\$0.56	\$0.00	\$0.00	\$23.01	\$33.50
Sign Journeyman Class B	\$20.98	\$1.33	\$0.14	\$0.00	\$0.40	\$0.00	\$0.56	\$0.00	\$0.00	\$23.41	\$33.90
Sign Journeyman Class C	\$20.98	\$1.33	\$0.14	\$0.00	\$0.81	\$0.00	\$0.56	\$0.00	\$0.00	\$23.82	\$34.31
Sign Journeyman Class D	\$20.98	\$1.33	\$0.14	\$0.00	\$1.21	\$0.00	\$0.56	\$0.00	\$0.00	\$24.22	\$34.71
Tech Sign Fabrication/ Erector Class A	\$15.90	\$1.33	\$0.14	\$0.00	\$0.00	\$0.00	\$0.43	\$0.00	\$0.00	\$17.80	\$25.75
Tech Sign	\$15.90	\$1.33	\$0.14	\$0.00	\$0.31	\$0.00	\$0.43	\$0.00	\$0.00	\$18.11	\$26.06

Fabrication/ Erector Class B											
Tech Sign Fabrication/ Erector Class C	\$15.90	\$1.33	\$0.14	\$0.00	\$0.61	\$0.00	\$0.43	\$0.00	\$0.00	\$18.41	\$26.36
Tech Sign Fabrication/ Erector Class D	\$15.90	\$1.33	\$0.14	\$0.00	\$0.92	\$0.00	\$0.43	\$0.00	\$0.00	\$18.72	\$26.67

Special Calculation Note : Other is for paid holidays.

Ratio :

Jurisdiction (* denotes special jurisdictional note) :

ADAMS, ALLEN, AUGLAIZE, BROWN, BUTLER, CARROLL, CHAMPAIGN, CLARK, CLERMONT, CLINTON, COLUMBIANA, COSHOCTON, CRAWFORD, DARKE, DEFIANCE, DELAWARE, ERIE, FAIRFIELD, FAYETTE, FRANKLIN, FULTON, GREENE, HAMILTON, HANCOCK, HARDIN, HENRY, HIGHLAND, HOLMES, HURON, JACKSON, KNOX, LICKING, LOGAN, LORAIN, LUCAS, MADISON, MAHONING, MARION, MERCER, MIAMI, MONTGOMERY, MORROW, MUSKINGUM, OTTAWA, PAULDING, PERRY, PICKAWAY, PIKE, PREBLE, PUTNAM, ROSS, SANDUSKY, SCIOTO, SENECA, SHELBY, STARK, TRUMBULL, TUSCARAWAS, UNION, VAN WERT, WARREN, WAYNE, WILLIAMS, WOOD, WYANDOT

Special Jurisdictional Note :

Details :

- Class A: less that 1 year.
- Class B: 1-3 years.
- Class C; 3-10 years.
- Class D: More than 10 years.

Prevailing Wage Rate Skilled Crafts

Name of Union: Painter Locals 123 & 238
Commercial & Industrial

Change # : LCN01-2018fbLoc123

Craft : Painter Effective Date : 05/01/2018 Last Posted : 04/25/2018

	BHR		Fringe Benefit Payments					Irrevocable Fund		Total PWR	Overtime Rate	
			H&W	Pension	App Tr.	Vac.	Annuity	Other	LECET (*)			MISC (*)
Classification												
Painter Brush Roll	\$24.61		\$5.08	\$4.40	\$0.31	\$0.00	\$0.00	\$0.00	\$0.00	\$0.00	\$34.40	\$46.71
Paper Hanger	\$24.61		\$5.08	\$4.40	\$0.31	\$0.00	\$0.00	\$0.00	\$0.00	\$0.00	\$34.40	\$46.71
Spray Painter	\$25.11		\$5.08	\$4.40	\$0.31	\$0.00	\$0.00	\$0.00	\$0.00	\$0.00	\$34.90	\$47.46
Sand Blaster Water Blaster	\$25.36		\$5.08	\$4.40	\$0.31	\$0.00	\$0.00	\$0.00	\$0.00	\$0.00	\$35.15	\$47.83
Elevated Tanks	\$25.61		\$5.08	\$4.40	\$0.31	\$0.00	\$0.00	\$0.00	\$0.00	\$0.00	\$35.40	\$48.21
Hazardous Rate High Work Lead Abatement	\$25.61		\$5.08	\$4.40	\$0.31	\$0.00	\$0.00	\$0.00	\$0.00	\$0.00	\$35.40	\$48.21
Apprentice	Percent											
1st year	55.00	\$13.54	\$5.08	\$2.30	\$0.31	\$0.00	\$0.00	\$0.00	\$0.00	\$0.00	\$21.23	\$27.99
2nd year	65.00	\$16.00	\$5.08	\$2.30	\$0.31	\$0.00	\$0.00	\$0.00	\$0.00	\$0.00	\$23.69	\$31.68
3rd year	75.00	\$18.46	\$5.08	\$2.30	\$0.31	\$0.00	\$0.00	\$0.00	\$0.00	\$0.00	\$26.15	\$35.38
4th year	80.00	\$19.69	\$5.08	\$2.30	\$0.31	\$0.00	\$0.00	\$0.00	\$0.00	\$0.00	\$27.38	\$37.22

Special Calculation Note :

Ratio :

- (1) Journeymen to (1) Apprentice per jobsite
- (3) Journeymen to (1) Apprentice per company

Jurisdiction (* denotes special jurisdictional note) :

BROWN, BUTLER, CLERMONT, CLINTON, HAMILTON, WARREN

Special Jurisdictional Note :

Details :

Industrial Work paid as commercial work above for each class which includes, Industrial Plants, repair garages, processing plants, storage tanks, warehouses, skeletons structures, bridges unless highest point of clearance is 60 feet or more whether new or old construction offices and office buildings in industrial sites are at

industrial rates. Heavy & Highway Bridges-Guard Rails- Light Poles. A hazardous steeplejack rate shall apply on radio towers, stacks, light towers, water towers, steeples, skeleton steel, and exterior industrial conveyors over 25 feet, where such items require steeplejack methods and the rate of pay shall be a \$1.00 per hour above the industrial rate. Steeplejack rate to apply to bridges where highest point of clearance is 60 feet.

Prevailing Wage Rate Skilled Crafts

Name of Union: Painter Locals 123 & 238

Change # : LCN01-2018fbLoc123-238

Craft : Drywall Finisher Effective Date : 05/01/2018 Last Posted : 04/25/2018

	BHR		Fringe Benefit Payments					Irrevocable Fund		Total PWR	Overtime Rate	
			H&W	Pension	App Tr.	Vac.	Annuity	Other	LECET (*)			MISC (*)
Classification												
Painter Drywall Finisher	\$24.61		\$5.08	\$4.40	\$0.31	\$0.00	\$0.00	\$0.00	\$0.00	\$0.00	\$34.40	\$46.71
Tapers and Finishers	\$24.61		\$5.08	\$4.40	\$0.31	\$0.00	\$0.00	\$0.00	\$0.00	\$0.00	\$34.40	\$46.71
Apprentice	Percent											
1st year	55.00	\$13.54	\$5.08	\$2.30	\$0.31	\$0.00	\$0.00	\$0.00	\$0.00	\$0.00	\$21.23	\$27.99
2nd year	65.00	\$16.00	\$5.08	\$2.30	\$0.31	\$0.00	\$0.00	\$0.00	\$0.00	\$0.00	\$23.69	\$31.68
2rd year	75.00	\$18.46	\$5.08	\$2.30	\$0.31	\$0.00	\$0.00	\$0.00	\$0.00	\$0.00	\$26.15	\$35.38
4th year	80.00	\$19.69	\$5.08	\$2.30	\$0.31	\$0.00	\$0.00	\$0.00	\$0.00	\$0.00	\$27.38	\$37.22

Special Calculation Note :

Ratio :

1 Journeyman to 1 Apprentice per job
3 Journeyman to 1 Apprentice per company

Jurisdiction (* denotes special jurisdictional note) :

BROWN, BUTLER, CLERMONT, CLINTON, HAMILTON, WARREN

Special Jurisdictional Note :

Details :

Industrial Work paid as commercial work above for each class which includes, Industrial Plants, repair garages, processing plants, storage tanks, warehouses, skeletons structures, bridges unless highest point of clearance is 60 feet or more whether new or old construction offices and office buildings in industrial sites are at industrial rates. Heavy & Highway Bridges-Guard Rails- Light Poles. A hazardous steeplejack rate shall apply on radio towers, stacks, light towers, water towers, steeples, skeleton steel, and exterior industrial conveyors over 25 feet, where such items require steeplejack methods and the rate of pay shall be a \$1.00 per hour above the industrial rate. Steeplejack rate to apply to bridges where highest point of clearance is 60 feet.

Prevailing Wage Rate Skilled Crafts

Name of Union: Plasterer Local 132 (Cincinnati)

Change # : LCN01-2016fbLoc132

Craft : Plasterer Effective Date : 06/24/2016 Last Posted : 06/24/2016

	BHR		Fringe Benefit Payments					Irrevocable Fund		Total PWR	Overtime Rate	
			H&W	Pension	App Tr.	Vac.	Annuity	Other	LECET (*)			MISC (*)
Classification												
Plasterer	\$23.61		\$5.59	\$6.15	\$0.50	\$0.00	\$0.60	\$0.00	\$0.00	\$0.00	\$36.45	\$48.25
Apprentice	Percent											
1st 900 hours	55.00	\$12.99	\$5.59	\$0.00	\$0.50	\$0.00	\$0.60	\$0.00	\$0.00	\$0.00	\$19.68	\$26.17
2nd 900 hours	60.00	\$14.17	\$5.59	\$0.00	\$0.50	\$0.00	\$0.60	\$0.00	\$0.00	\$0.00	\$20.86	\$27.94
3rd 900 hours	65.00	\$15.35	\$5.59	\$6.15	\$0.50	\$0.00	\$0.60	\$0.00	\$0.00	\$0.00	\$28.19	\$35.86
4th 900 hours	70.00	\$16.53	\$5.59	\$6.15	\$0.50	\$0.00	\$0.60	\$0.00	\$0.00	\$0.00	\$29.37	\$37.63
5th 900 hours	80.00	\$18.89	\$5.59	\$6.15	\$0.50	\$0.00	\$0.60	\$0.00	\$0.00	\$0.00	\$31.73	\$41.17
6th 900 hours	85.00	\$20.07	\$5.59	\$6.15	\$0.50	\$0.00	\$0.60	\$0.00	\$0.00	\$0.00	\$32.91	\$42.94
7th 900 hours	90.00	\$21.25	\$5.59	\$6.15	\$0.50	\$0.00	\$0.60	\$0.00	\$0.00	\$0.00	\$34.09	\$44.71
8th 900 hours	95.00	\$22.43	\$5.59	\$6.15	\$0.50	\$0.00	\$0.60	\$0.00	\$0.00	\$0.00	\$35.27	\$46.48

Special Calculation Note : No special calculations for this skilled craft wage rate are required at this time.

Ratio :

- 1 Journeyman to 1 Apprentice
- 4 Journeyman to 2 Apprentice
- 7 Journeyman to 3 Apprentice

Jurisdiction (* denotes special jurisdictional note) :

BROWN, BUTLER, CLERMONT, HAMILTON, HIGHLAND, WARREN

Special Jurisdictional Note :

Details :

Apprentice and Shop Hand Pension are \$1.00 less than Journeyman.

Prevailing Wage Rate Skilled Crafts

Name of Union: Plumber Pipefitter Local 392

Change # : LCN01-2018-fbLoc392

Craft : Plumber/Pipefitter Effective Date : 06/01/2018 Last Posted : 05/30/2018

	BHR		Fringe Benefit Payments					Irrevocable Fund		Total PWR	Overtime Rate	
			H&W	Pension	App Tr.	Vac.	Annuity	Other	LECET (*)			MISC (*)
Classification												
Plumber Pipefitter	\$31.51		\$7.15	\$11.54	\$0.50	\$0.00	\$0.00	\$0.98	\$0.00	\$0.00	\$51.68	\$67.43
Plumber Helper	\$20.48		\$7.05	\$5.97	\$0.50	\$0.00	\$0.00	\$0.02	\$0.00	\$0.00	\$34.02	\$44.26
Apprentice	Percent											
1st yr	41.00	\$12.92	\$6.95	\$0.00	\$0.50	\$0.00	\$0.00	\$0.98	\$0.00	\$0.00	\$21.35	\$27.81
2nd yr	45.00	\$14.18	\$6.95	\$0.00	\$0.50	\$0.00	\$0.00	\$0.98	\$0.00	\$0.00	\$22.61	\$29.70
3rd yr	49.00	\$15.44	\$6.95	\$5.97	\$0.50	\$0.00	\$0.00	\$0.98	\$0.00	\$0.00	\$29.84	\$37.56
4th yr	56.00	\$17.65	\$6.95	\$5.97	\$0.50	\$0.00	\$0.00	\$0.98	\$0.00	\$0.00	\$32.05	\$40.87
5th yr	70.00	\$22.06	\$6.95	\$11.54	\$0.50	\$0.00	\$0.00	\$0.98	\$0.00	\$0.00	\$42.03	\$53.06

Special Calculation Note : OTHER IS: SUPPLEMENTAL UNEMPLOYMENT BENEFITS.

Ratio :

- 1 Journeymen to 1 Apprentice
- 2 Journeymen to 4 Apprentices
- 3 Journeymen to 6 Apprentices

Jurisdiction (* denotes special jurisdictional note) :

BROWN, BUTLER, CLERMONT, HAMILTON, WARREN

When more than twenty (20) Journeymen are employed additional apprentices may be acquired at a ratio of one (1) apprentice to four (4) journeymen.

Special Jurisdictional Note :

Details :

Helpers shall be permitted to work on ONLY , Exterior Sewers, Concrete, Vitrified Clay or PVC Pipe and Digging and Backfilling for Piping Work. The ratio shall not exceed 2 helpers to 1 Journeymen when performing the scope of work listed above

Prevailing Wage Rate Skilled Crafts

Name of Union: Roofer Local 42

Change # : LCR01-2019fbLoc42

Craft : Roofer Effective Date : 02/27/2019 Last Posted : 02/27/2019

	BHR		Fringe Benefit Payments					Irrevocable Fund		Total PWR	Overtime Rate	
			H&W	Pension	App Tr.	Vac.	Annuity	Other	LECET (*)			MISC (*)
Classification												
Roofer	\$27.50		\$7.87	\$7.10	\$0.32	\$0.00	\$0.25	\$0.06	\$0.00	\$0.00	\$43.10	\$56.85
Tradesmen	\$22.00		\$7.87	\$5.68	\$0.32	\$0.00	\$0.25	\$0.06	\$0.00	\$0.00	\$36.18	\$47.18
Apprentice	Percent											
1st period	60.00	\$16.50	\$7.87	\$4.26	\$0.06	\$0.00	\$0.25	\$0.00	\$0.00	\$0.00	\$28.94	\$37.19
2nd period	70.00	\$19.25	\$7.87	\$4.97	\$0.06	\$0.00	\$0.25	\$0.00	\$0.00	\$0.00	\$32.40	\$42.03
3rd period	80.00	\$22.00	\$7.87	\$5.68	\$0.06	\$0.00	\$0.25	\$0.00	\$0.00	\$0.00	\$35.86	\$46.86

Special Calculation Note : Other is Education and Safety.

Journeymen shall receive \$1.00 per hour above journeyman rate for work with pitch material.

Ratio :

Employer may employ 1 apprentice for every 2 journeymen in his employment.

Jurisdiction (* denotes special jurisdictional note) :

ADAMS, BROWN, BUTLER, CLERMONT, HAMILTON, HIGHLAND, WARREN

Special Jurisdictional Note :

Details :

Any Tradesman Worker completing 2,000 hours in (2) years may move to Journeyman status by utilizing the Training Yard to improve their skills. Tradesman Workers will be tested at these yards to determine their competency for Journeyman status. Tradesman Workers must schedule and successfully complete the industry test battery in order to gain journeyman status.

Prevailing Wage Rate Skilled Crafts

Name of Union: Sheet Metal Local 24 (Dayton)

Change # : LCR01-2019fbLoc24(Day)

Craft : Sheet Metal Worker Effective Date : 02/20/2019 Last Posted : 02/20/2019

	BHR		Fringe Benefit Payments					Irrevocable Fund		Total PWR	Overtime Rate	
			H&W	Pension	App Tr.	Vac.	Annuity	Other	LECET (*)			MISC (*)
Classification												
Sheet Metal Worker	\$27.77		\$8.00	\$13.66	\$0.85	\$0.00	\$0.00	\$0.00	\$0.00	\$0.00	\$50.28	\$64.16
5th Year B	80.00	\$22.22	\$7.75	\$10.92	\$0.85	\$0.00	\$0.00	\$0.00	\$0.00	\$0.00	\$41.74	\$52.84
5th Year A	75.00	\$20.83	\$7.68	\$10.25	\$0.85	\$0.00	\$0.00	\$0.00	\$0.00	\$0.00	\$39.61	\$50.02
4th Year B	70.00	\$19.44	\$7.62	\$9.56	\$0.85	\$0.00	\$0.00	\$0.00	\$0.00	\$0.00	\$37.47	\$47.19
4th Year A	65.00	\$18.05	\$7.56	\$8.89	\$0.85	\$0.00	\$0.00	\$0.00	\$0.00	\$0.00	\$35.35	\$44.38
3rd year B	60.00	\$16.66	\$7.50	\$8.20	\$0.85	\$0.00	\$0.00	\$0.00	\$0.00	\$0.00	\$33.21	\$41.54
3rd Year A	55.00	\$15.27	\$7.44	\$7.51	\$0.85	\$0.00	\$0.00	\$0.00	\$0.00	\$0.00	\$31.07	\$38.71
2 Year B	52.00	\$14.44	\$7.40	\$7.10	\$0.85	\$0.00	\$0.00	\$0.00	\$0.00	\$0.00	\$29.79	\$37.01
2 Year A	50.00	\$13.89	\$7.37	\$6.84	\$0.85	\$0.00	\$0.00	\$0.00	\$0.00	\$0.00	\$28.94	\$35.89
Probationary 1 Year	47.50	\$13.19	\$7.34	\$6.49	\$0.85	\$0.00	\$0.00	\$0.00	\$0.00	\$0.00	\$27.87	\$34.47

Special Calculation Note : No special calculations for this skilled craft wage rate are required at this time.

Ratio :

1 Journeyman to 1 Apprentice then,
1 Apprentice for every 2 Journeymen thereafter

Jurisdiction (* denotes special jurisdictional note) :

ALLEN, AUGLAIZE, BUTLER, CHAMPAIGN,
CLARK, CLINTON, DARKE, GREENE, HARDIN,
LOGAN, MERCER, MIAMI, MONTGOMERY,
PREBLE, SHELBY, VAN WERT, WARREN,
WYANDOT

Special Jurisdictional Note :

Details :

Prevailing Wage Rate Skilled Crafts

Name of Union: Sprinkler Fitter Local 669

Change # : LCN03-2018fbLoc669

Craft : Sprinkler Fitter Effective Date : 01/01/2019 Last Posted : 12/19/2018

	BHR		Fringe Benefit Payments					Irrevocable Fund		Total PWR	Overtime Rate	
			H&W	Pension	App Tr.	Vac.	Annuity	Other	LECET (*)			MISC (*)
Classification												
Sprinkler Fitter	\$37.78		\$10.02	\$6.60	\$0.52	\$0.00	\$5.12	\$0.00	\$0.00	\$0.00	\$60.04	\$78.93
Apprentice Indentured after April 1, 2013	Percent											
CLASS 1	45.00	\$17.00	\$7.75	\$0.00	\$0.52	\$0.00	\$0.00	\$0.00	\$0.00	\$0.00	\$25.27	\$33.77
CLASS 2	50.00	\$18.89	\$7.75	\$0.00	\$0.52	\$0.00	\$0.00	\$0.00	\$0.00	\$0.00	\$27.16	\$36.61
CLASS 3	55.00	\$20.78	\$10.02	\$6.60	\$0.52	\$0.00	\$0.65	\$0.00	\$0.00	\$0.00	\$38.57	\$48.96
CLASS 4	60.00	\$22.67	\$10.02	\$6.60	\$0.52	\$0.00	\$0.65	\$0.00	\$0.00	\$0.00	\$40.46	\$51.79
CLASS 5	65.00	\$24.56	\$10.02	\$6.60	\$0.52	\$0.00	\$0.90	\$0.00	\$0.00	\$0.00	\$42.60	\$54.88
CLASS 6	70.00	\$26.45	\$10.02	\$6.60	\$0.52	\$0.00	\$0.90	\$0.00	\$0.00	\$0.00	\$44.49	\$57.71
CLASS 7	75.00	\$28.33	\$10.02	\$6.60	\$0.52	\$0.00	\$0.90	\$0.00	\$0.00	\$0.00	\$46.38	\$60.54
CLASS 8	80.00	\$30.22	\$10.02	\$6.60	\$0.52	\$0.00	\$0.90	\$0.00	\$0.00	\$0.00	\$48.26	\$63.38
CLASS 9	85.00	\$32.11	\$10.02	\$6.60	\$0.52	\$0.00	\$0.90	\$0.00	\$0.00	\$0.00	\$50.15	\$66.21
CLASS 10	90.00	\$34.00	\$10.02	\$6.60	\$0.52	\$0.00	\$0.90	\$0.00	\$0.00	\$0.00	\$52.04	\$69.04

Special Calculation Note : No special calculations for this skilled craft wage rate are required at this time.

Ratio :

1 Journeyman to 1 Apprentice

Jurisdiction (* denotes special jurisdictional note) :

ADAMS, ALLEN, ASHLAND, ASHTABULA, ATHENS, AUGLAIZE, BELMONT, BROWN, BUTLER, CARROLL, CHAMPAIGN, CLARK, CLERMONT, CLINTON, COLUMBIANA, COSHOCTON, CRAWFORD, DARKE, DEFIANCE, DELAWARE, ERIE, FAIRFIELD, FAYETTE, FRANKLIN, FULTON, GALLIA, GREENE, GUERNSEY, HAMILTON, HANCOCK, HARDIN, HARRISON, HENRY, HIGHLAND, HOCKING, HOLMES, HURON, JACKSON, JEFFERSON, KNOX, LAWRENCE, LICKING, LOGAN, LUCAS, MADISON, MAHONING, MARION, MEDINA, MEIGS, MERCER, MIAMI, MONROE,

MONTGOMERY, MORGAN, MORROW,
MUSKINGUM, NOBLE, OTTAWA, PAULDING,
PERRY, PICKAWAY, PIKE, PORTAGE, PREBLE,
PUTNAM, RICHLAND, ROSS, SANDUSKY,
SCIOTO, SENECA, SHELBY, STARK, SUMMIT,
TRUMBULL, TUSCARAWAS, UNION, VAN WERT,
VINTON, WARREN, WASHINGTON, WAYNE,
WILLIAMS, WOOD, WYANDOT

Special Jurisdictional Note :

Details :

Sprinkler Fitter work shall consist of the installation, dismantling, maintenance, repairs, adjustments, and corrections of all fire protection and fire control systems including the unloading, handling by hand, power equipment and installation of all piping or tubing, appurtenances and equipment pertaining thereto, including both overhead and underground water mains, fire hydrants and hydrant mains, standpipes and hose connections to sprinkler systems used in connection with sprinkler and alarm systems. Also all tanks and pumps connected thereto, also included shall be CO-2 and Cardox Systems, Dry Chemical Systems, Foam Systems and all other fire protection systems.

Prevailing Wage Rate Skilled Crafts

Name of Union: Truck Driver Bldg & HevHwy Class 1
Locals 20,40,92,92b,100,175,284,438,377,637,908,957

Change # : LCON1-2017fbBldgHevHwy

Craft : Truck Driver Effective Date : 07/05/2017 Last Posted : 07/05/2017

	BHR		Fringe Benefit Payments					Irrevocable Fund		Total PWR	Overtime Rate	
			H&W	Pension	App Tr.	Vac.	Annuity	Other	LECET (*)	MISC (*)		
Classification												
Truck Driver CLASS 1 4 wheel service, dump, and batch trucks, Oil Distributor - Asphalt Distributor-Tandems	\$26.49		\$7.00	\$7.30	\$0.20	\$0.00	\$0.00	\$0.00	\$0.00	\$0.00	\$40.99	\$54.24
Apprentice	Percent											
First 6 months	80.00	\$21.19	\$7.00	\$7.30	\$0.20	\$0.00	\$0.00	\$0.00	\$0.00	\$0.00	\$35.69	\$46.29
7-12 months	85.00	\$22.52	\$7.00	\$7.30	\$0.20	\$0.00	\$0.00	\$0.00	\$0.00	\$0.00	\$37.02	\$48.27
13-18 months	90.00	\$23.84	\$7.00	\$7.30	\$0.20	\$0.00	\$0.00	\$0.00	\$0.00	\$0.00	\$38.34	\$50.26
19-24 months	95.00	\$25.17	\$7.00	\$7.30	\$0.20	\$0.00	\$0.00	\$0.00	\$0.00	\$0.00	\$39.67	\$52.25
25-30 months	100.00	\$26.49	\$7.00	\$7.30	\$0.20	\$0.00	\$0.00	\$0.00	\$0.00	\$0.00	\$40.99	\$54.24

Special Calculation Note : No special calculations for this skilled craft wage rate are required at this time.

Ratio :

3 Journeymen to 1 Apprentice per company/project

Jurisdiction (* denotes special jurisdictional note) :

ADAMS, ALLEN, ASHLAND, ASHTABULA, ATHENS, AUGLAIZE, BELMONT, BROWN, BUTLER, CARROLL, CHAMPAIGN, CLARK, CLERMONT, CLINTON, COLUMBIANA, COSHOCTON, CRAWFORD, DARKE, DEFIANCE, DELAWARE, ERIE, FAIRFIELD, FAYETTE, FRANKLIN, FULTON, GALLIA, GREENE,

GUERNSEY, HAMILTON, HANCOCK, HARDIN,
HARRISON, HENRY, HIGHLAND, HOCKING,
HOLMES, HURON, JACKSON, JEFFERSON,
KNOX, LAWRENCE, LICKING, LOGAN, LORAIN,
LUCAS, MADISON, MAHONING, MARION,
MEDINA, MEIGS, MERCER, MIAMI, MONROE,
MONTGOMERY, MORGAN, MORROW,
MUSKINGUM, NOBLE, OTTAWA, PAULDING,
PERRY, PICKAWAY, PIKE, PORTAGE, PREBLE,
PUTNAM, RICHLAND, ROSS, SANDUSKY,
SCIOTO, SENECA, SHELBY, STARK, SUMMIT,
TRUMBULL, TUSCARAWAS, UNION, VAN WERT,
VINTON, WARREN, WASHINGTON, WAYNE,
WILLIAMS, WOOD, WYANDOT

Special Jurisdictional Note :

Details :

** Asphalt - Oil spray bar man when operating from cab shall receive \$0.20 cents per hour above their Basic Hourly Rate.

Prevailing Wage Rate Skilled Crafts

Name of Union: Truck Driver Bldg & HevHwy Class 2
Locals 20,40,92,92b,100,175,284,438,377,637,908,957

Change # : CN1-2017-fbBldgHevHwy

Craft : Truck Driver Effective Date : 07/05/2017 Last Posted : 07/05/2017

	BHR		Fringe Benefit Payments					Irrevocable Fund		Total PWR	Overtime Rate	
			H&W	Pension	App Tr.	Vac.	Annuity	Other	LECET (*)			MISC (*)
Classification												
Truck Driver CLASS 2 Tractor Trailer-Semi Tractor Trucks-Pole Trailers-Ready Mix Trucks-Fuel Trucks- Asphalt-Oil Spray bar men- 5 Axle & Over - Belly Dumps-End Dumps-Articulated Dump Trucks- Low boys-Heavy duty Equipment(irrespective of load carried) when used exclusively for transportation-Truck Mechanics (when needed)	\$26.91		\$7.00	\$7.30	\$0.20	\$0.00	\$0.00	\$0.00	\$0.00	\$0.00	\$41.41	\$54.87
Apprentice	Percent											
First 6 months	80.00	\$21.53	\$7.00	\$7.30	\$0.20	\$0.00	\$0.00	\$0.00	\$0.00	\$0.00	\$36.03	\$46.79
7-12 months	85.00	\$22.87	\$7.00	\$7.30	\$0.20	\$0.00	\$0.00	\$0.00	\$0.00	\$0.00	\$37.37	\$48.81
13-18 months	90.00	\$24.22	\$7.00	\$7.30	\$0.20	\$0.00	\$0.00	\$0.00	\$0.00	\$0.00	\$38.72	\$50.83
19-24 months	95.00	\$25.56	\$7.00	\$7.30	\$0.20	\$0.00	\$0.00	\$0.00	\$0.00	\$0.00	\$40.06	\$52.85
25-30 months	100.00	\$26.91	\$7.00	\$7.30	\$0.20	\$0.00	\$0.00	\$0.00	\$0.00	\$0.00	\$41.41	\$54.87

Special Calculation Note : No special calculations for this skilled craft wage rate are required at this time.

Ratio :

3 Journeymen to 1 Apprentice
per company/project

Jurisdiction (* denotes special jurisdictional note) :

ADAMS, ALLEN, ASHLAND, ASHTABULA,
ATHENS, AUGLAIZE, BELMONT, BROWN,
BUTLER, CARROLL, CHAMPAIGN, CLARK,
CLERMONT, CLINTON, COLUMBIANA,
COSHOCKTON, CRAWFORD, DARKE, DEFIANCE,
DELAWARE, ERIE, FAIRFIELD, FAYETTE,
FRANKLIN, FULTON, GALLIA, GREENE,

GUERNSEY, HAMILTON, HANCOCK, HARDIN,
HARRISON, HENRY, HIGHLAND, HOCKING,
HOLMES, HURON, JACKSON, JEFFERSON,
KNOX, LAWRENCE, LICKING, LOGAN, LORAIN,
LUCAS, MADISON, MAHONING, MARION,
MEDINA, MEIGS, MERCER, MIAMI, MONROE,
MONTGOMERY, MORGAN, MORROW,
MUSKINGUM, NOBLE, OTTAWA, PAULDING,
PERRY, PICKAWAY, PIKE, PORTAGE, PREBLE,
PUTNAM, RICHLAND, ROSS, SANDUSKY,
SCIOTO, SENECA, SHELBY, STARK, SUMMIT,
TRUMBULL, TUSCARAWAS, UNION, VAN WERT,
VINTON, WARREN, WASHINGTON, WAYNE,
WILLIAMS, WOOD, WYANDOT

Special Jurisdictional Note :

Details :

** Asphalt - Oil spray bar man when operating from cab shall receive \$0.20 cents per hour above their Basic Hourly Rate.

Prevailing Wage Rate Skilled Crafts

Name of Union: Asbestos Heat & Frost Insulators Local 8

Change # : LCN01-2019fbAsbLoc8

Craft : Asbestos Worker Effective Date : 03/06/2019 Last Posted : 03/06/2019

	BHR	Fringe Benefit Payments						Irrevocable Fund		Total PWR	Overtime Rate
		H&W	Pension	App Tr.	Vac.	Annuity	Other	LECET (*)	MISC (*)		
Classification											
Asbestos Insulators	\$29.77	\$6.64	\$9.10	\$0.36	\$0.00	\$1.60	\$0.00	\$0.00	\$0.00	\$47.47	\$62.36
Apprentice	Percent										
1st year	46.53	\$13.85	\$6.64	\$4.85	\$0.36	\$0.00	\$1.60	\$0.00	\$0.00	\$27.30	\$34.23
2nd year	53.90	\$16.05	\$6.64	\$6.40	\$0.36	\$0.00	\$1.60	\$0.00	\$0.00	\$31.05	\$39.07
3rd year	58.95	\$17.55	\$6.64	\$6.40	\$0.36	\$0.00	\$1.60	\$0.00	\$0.00	\$32.55	\$41.32
4th year	63.99	\$19.05	\$6.64	\$6.40	\$0.36	\$0.00	\$1.60	\$0.00	\$0.00	\$34.05	\$43.57

Special Calculation Note : No special calculations for this skilled craft wage rate are required at this time.

Ratio :

3 Journeymen to 1 Apprentice

Jurisdiction (* denotes special jurisdictional note) :

ADAMS, BROWN, BUTLER*, CLERMONT, HAMILTON, HIGHLAND, WARREN*

Special Jurisdictional Note : In Butler County: townships of Fairfield, Hanover, Liberty, Milford, Morgan, Oxford, Ripley, Ross, St. Clair, Union & Wayne. In Warren County: Townships of Deerfield, Hamilton, Harlan, Salem, Union & Washington

Details :

All work in connection with Asbestos Removal, Abatement, Encapsulation, Lead Abatement, Hazardous Materials and Fire Stopping which is performed by employees in the Mechanic or Apprentice Classification shall be covered under the terms of this Agreement.

Prevailing Wage Rate Skilled Crafts

Name of Union: Asbestos Local 207 OH

Change # : LCN01-2018fbLoc207OH

Craft : Asbestos Worker Effective Date : 08/23/2018 Last Posted : 08/23/2018

	BHR	Fringe Benefit Payments						Irrevocable Fund		Total PWR	Overtime Rate
		H&W	Pension	App Tr.	Vac.	Annuity	Other	LECET (*)	MISC (*)		
Classification											
Asbestos Abatement	\$25.50	\$7.25	\$6.45	\$0.65	\$0.00	\$0.00	\$0.07	\$0.00	\$0.00	\$39.92	\$52.67
Trainee	\$16.50	\$7.25	\$1.50	\$0.65	\$0.00	\$0.00	\$0.07	\$0.00	\$0.00	\$25.97	\$34.22 -

Special Calculation Note :

Ratio :

3 Journeymen to 1 Trainee

Jurisdiction (* denotes special jurisdictional note) :

ADAMS, ASHLAND, ASHTABULA*, ATHENS, AUGLAIZE, BROWN, BUTLER*, CARROLL, CHAMPAIGN, CLARK, CLERMONT, CLINTON, COLUMBIANA, COSHOCTON, CRAWFORD, CUYAHOGA, DARKE, DELAWARE, FAIRFIELD, FAYETTE, FRANKLIN, GEAUGA, GREENE, GUERNSEY, HAMILTON, HARDIN, HARRISON, HIGHLAND, HOCKING, HOLMES, HURON, KNOX, LAKE, LICKING, LOGAN, LORAIN, MADISON, MAHONING, MARION, MEDINA, MIAMI, MONTGOMERY, MORGAN, MORROW, MUSKINGUM, NOBLE, PERRY, PICKAWAY, PORTAGE, PREBLE, RICHLAND, ROSS, SHELBY, STARK, SUMMIT, TRUMBULL, TUSCARAWAS, UNION, VINTON, WARREN*, WAYNE

Special Jurisdictional Note : Butler County:(townships of Fairfield,Hanover,Liberty,Milford,Morgan,Oxford,Ripley,Ross,StClair,Union & Wayne.) (Lemon & Madison) Warren County: (townships of: Deerfield, Hamilton, Harlan, Salem, Union & Washington). (Clear Creek, Franklin, Mossie, Turtle Creek & Wayney). Ashtabula County: (post offices & townships of Ashtabula, Austinburg, Geneva, Harperfield, Jefferson, Plymouth & Saybrook) (townships of Andover, Cherry Valley, Colbrook, Canneaut, Denmark, Dorset, East Orwell, Hartsgrove, Kingville, Lenox, Monroe,Morgan,New Lyme,North Kingsville, Orwell, Pierpoint, Richmond Rock Creek, Rome, Sheffield, Trumbull, Wayne, Williamsfield & Windsor) Erie County:(post offices & townships of Berlin, Berlin Heights,Birmingham,Florence ,Huron, Milan, Shinrock & Vermilion)

Details :

Asbestos & lead paint abatement including, but not limited to the removal or encapsulation of asbestos & lead paint, all work in conjunction with the preparation of the removal of same & all work in conjunction with the

clean up after said removal. The removal of all insulation materials, whether they contain asbestos or not, from mechanical systems (pipes, boilers, ducts, flues, breaching, etc.) is recognized as being the exclusive work of the Asbestos Abatement Workers.

On all mechanical systems (pipes, boilers, ducts, flues, breaching, etc.) that are going to be demolished, the removal of all insulating materials whether they contain asbestos or not shall be the exclusive work of the Laborers.

An Abatement Journeyman is anyone who has more than 300 hours in the Asbestos Abatement field.

Prevailing Wage Rate Skilled Crafts

Name of Union: Asbestos Local 50 Zone 2

Change # : LCN01-2018fbLoc50

Craft : Asbestos Worker Effective Date : 07/18/2018 Last Posted : 07/18/2018

	BHR		Fringe Benefit Payments					Irrevocable Fund		Total PWR	Overtime Rate	
			H&W	Pension	App Tr.	Vac.	Annuity	Other	LECET (*)			MISC (*)
Classification												
Asbestos Insulation Mechanic	\$29.84		\$6.46	\$6.88	\$0.40	\$0.00	\$2.00	\$0.15	\$0.00	\$0.00	\$45.73	\$60.65
Firestop Technician	\$29.84		\$6.46	\$6.88	\$0.40	\$0.00	\$2.00	\$0.15	\$0.00	\$0.00	\$45.73	\$60.65
Apprentice	Percent											
1st year	55.15	\$16.46	\$6.46	\$0.00	\$0.40	\$0.00	\$0.00	\$0.15	\$0.00	\$0.00	\$23.47	\$31.70
2nd year	65.98	\$19.69	\$6.46	\$0.86	\$0.40	\$0.00	\$0.00	\$0.15	\$0.00	\$0.00	\$27.56	\$37.40
3rd year	75.80	\$22.62	\$6.46	\$1.72	\$0.40	\$0.00	\$0.30	\$0.15	\$0.00	\$0.00	\$31.65	\$42.96
4th year	86.65	\$25.86	\$6.46	\$1.72	\$0.40	\$0.00	\$0.30	\$0.15	\$0.00	\$0.00	\$34.89	\$47.81

Special Calculation Note : Other is Industry Fund & Labor Management Fund.

Ratio :

4 Journeymen to 1 Apprentice Company Wide except no apprentice may work on a job site without a Mechanic.

Jurisdiction (* denotes special jurisdictional note) :

AUGLAIZE, BUTLER*, CHAMPAIGN, CLARK, CLINTON, DARKE, GREENE, LOGAN, MIAMI, MONTGOMERY, PREBLE, SHELBY, WARREN*

Special Jurisdictional Note : In Butler County the following townships are included: (Lemon Twp, Madison Twp) In Warren County the following townships are included: (Clear Creek Twp, Franklin Twp, Massie Twp, Turtle Creek Twp, Wayne Twp)

Details :

Prevailing Wage Rate Skilled Crafts

Name of Union: Electrical Local 648 Inside

Change # : LCN02-2018fbLoc648in

Craft : Electrical Effective Date : 09/03/2018 Last Posted : 08/23/2018

	BHR		Fringe Benefit Payments					Irrevocable Fund		Total PWR	Overtime Rate	
			H&W	Pension	App Tr.	Vac.	Annuity	Other	LECET (*)	MISC (*)		
Classification												
Electrician	\$30.00		\$6.45	\$8.90	\$0.45	\$0.00	\$2.00	\$0.90	\$0.00	\$0.00	\$48.70	\$63.70
Apprentice	Percent											
1st period 0-1000 hrs	45.00	\$13.50	\$3.42	\$0.00	\$0.20	\$0.00	\$2.00	\$0.41	\$0.00	\$0.00	\$19.53	\$26.28
2nd period 1000- 2000 hrs	45.00	\$13.50	\$3.42	\$0.00	\$0.20	\$0.00	\$2.00	\$0.41	\$0.00	\$0.00	\$19.53	\$26.28
3rd period 2000- 3500 hrs	50.00	\$15.00	\$6.45	\$4.45	\$0.23	\$0.00	\$2.00	\$0.45	\$0.00	\$0.00	\$28.58	\$36.08
4th period 3500- 5000 hrs	55.00	\$16.50	\$6.45	\$4.90	\$0.25	\$0.00	\$2.00	\$0.50	\$0.00	\$0.00	\$30.60	\$38.85
5th period 5000- 6500 hrs	62.00	\$18.60	\$6.45	\$5.52	\$0.28	\$0.00	\$2.00	\$0.56	\$0.00	\$0.00	\$33.41	\$42.71
6th period 6500- 8000 hrs	71.00	\$21.30	\$6.45	\$6.32	\$0.32	\$0.00	\$2.00	\$0.64	\$0.00	\$0.00	\$37.03	\$47.68

Special Calculation Note : Other is NEBF (Natioanl Electrical Benifit Fund.)

Ratio :

3 Journeyman to 2 Apprentices or fraction thereof:
 1-3 Journeymen to 2 Apprentice
 4-6 Journeymen to 4 Apprentice
 7-9 Journeymen to 6 Apprentice
 first person assigned to any job site shall be a
 journeyman

Jurisdiction (* denotes special jurisdictional note) :

BUTLER, WARREN*

Special Jurisdictional Note : In Warren County the following townships are included: (Deerfield, Hamilton, Harlan, Massie, Salem, Turtle Creek, Union, and Washington)

Details :

Electricians while splicing cable shall receive \$.50 an hour above the regular electrical rate.

All work that requires the use of gas masks or respirators, shall be paid 50% above the appropriate rate of pay. Work up to & including 40 feet shall be paid \$.50 over the journeyman rate. All work from a Boatswain Chair, Swinging Scaffold, or Barrel shall be at double the Journeyman rate. Workmen required to work 50 feet or more below the surface of the earth will be paid 50% above the Journeyman rate.

Prevailing Wage Rate Skilled Crafts

Name of Union: Electrical Local 648 Lt Commercial South West

Change # : LCN02-2018fbLoc648in

Craft : Electrical Effective Date : 01/01/2019 Last Posted : 12/28/2018

	BHR		Fringe Benefit Payments					Irrevocable Fund		Total PWR	Overtime Rate	
			H&W	Pension	App Tr.	Vac.	Annuity	Other	LECET (*)			MISC (*)
Classification												
Electrician	\$30.00		\$6.45	\$8.90	\$0.45	\$0.00	\$2.00	\$0.90	\$0.00	\$0.00	\$48.70	\$63.70
CE-3 12,001- 14,000 Hrs	\$21.89		\$5.95	\$0.66	\$0.66	\$0.00	\$0.64	\$0.48	\$0.00	\$0.00	\$30.28	\$41.22
CE-2 10,001- 12,000 Hrs	\$17.20		\$5.95	\$0.52	\$0.66	\$0.00	\$0.66	\$0.48	\$0.00	\$0.00	\$25.47	\$34.07
CE-1 8,001- 10,000 Hrs	\$15.64		\$5.95	\$0.47	\$0.66	\$0.00	\$0.52	\$0.48	\$0.00	\$0.00	\$23.72	\$31.54
CW-4 6,001-8,000 Hrs	\$14.07		\$5.95	\$0.42	\$0.66	\$0.00	\$0.42	\$0.48	\$0.00	\$0.00	\$22.00	\$29.04
CW-3 4,001-6,000 Hrs	\$12.51		\$5.95	\$0.38	\$0.66	\$0.00	\$0.38	\$0.48	\$0.00	\$0.00	\$20.36	\$26.61
CW-2 2,001-4,000 Hrs	\$11.73		\$5.95	\$0.35	\$0.66	\$0.00	\$0.35	\$0.48	\$0.00	\$0.00	\$19.52	\$25.39
CW-1 0- 2,000 Hrs	\$10.94		\$5.95	\$0.33	\$0.66	\$0.00	\$0.33	\$0.48	\$0.00	\$0.00	\$18.69	\$24.16
Apprentice Indentured AFTER 9/1/2006	Percent											
1st period 0-1000 hrs	45.00	\$13.50	\$3.42	\$0.00	\$0.20	\$0.00	\$2.00	\$0.41	\$0.00	\$0.00	\$19.53	\$26.28
2nd period 1001- 2000 hrs	45.00	\$13.50	\$3.42	\$0.00	\$0.20	\$0.00	\$2.00	\$0.41	\$0.00	\$0.00	\$19.53	\$26.28
3rd period 2001- 3500 hrs	50.00	\$15.00	\$6.45	\$4.45	\$0.23	\$0.00	\$2.00	\$0.45	\$0.00	\$0.00	\$28.58	\$36.08
4th period 3501- 5000 hrs	55.00	\$16.50	\$6.45	\$4.90	\$0.25	\$0.00	\$2.00	\$0.50	\$0.00	\$0.00	\$30.60	\$38.85

5th period 5001- 6500 hrs	62.00	\$18.60	\$6.45	\$5.52	\$0.28	\$0.00	\$2.00	\$0.56	\$0.00	\$0.00	\$33.41	\$42.71
6th period 6501- 8000 hrs	71.00	\$21.30	\$6.45	\$6.32	\$0.32	\$0.00	\$2.00	\$0.64	\$0.00	\$0.00	\$37.03	\$47.68

Special Calculation Note : Other is for NEBF (National Electrical Benifit Fund)

Ratio :

1-3 Journeymen to 2 Apprentice
 4-6 Journeymen to 4 Apprentice
 7-9 Journeymen to 6 Apprentice
 first person assigned to any job site shall be a
 journeyman

**Jurisdiction (* denotes special jurisdictional
 note) :**

BUTLER, WARREN*

**Construction Electrician and Construction Wireman
 Ratio**

There shall be a minimum ratio of one inside
 Journeyman to every (4) employees of different
 classification per jobsite. An inside Journeyman
 Wireman is required on the project as the fifth (5th)
 worker or when apprentices are used

Special Jurisdictional Note : In Warren County the following townships are included: (Deerfield, Hamilton, Harlan, Massie, Salem, Turtle Creek, Union, and Washington)

The scope of work for the light commercial agreement shall apply to the following facilities not to exceed 200,000 square feet; office buildings, shopping centers, auto sales agencies and garages, churches, funeral homes, nursing homes, hotels, retail and wholesale facilities, small stand-alone manufacturing facilities when free standing and not part of a larger facility (not to exceed 50,000 square fee), solar projects (500 panels or less) unless otherwise covered under the agreement, lighting retrofits (when not associated with remodels involving branch re-circuiting) lighting retrofits shall be defined as the changing of lamps and ballasts in existing light fixtures and shall also include the one for one replacement of existing fixtures, warehouses, gas stations, food service centers, restaurants, entertainment facilities, hospitals, clinics, motels, residential buildings.

Details :

Electricians while splicing cable shall receive \$.50 an hour above the regular electrical rate.

All work that requires the use of gas masks or respirators, shall be paid 50% above the appropriate rate of pay. Work up to & including 40 feet shall be paid \$.50 over the journeyman rate. All work from a Boatswain Chair, Swinging Scaffold, or Barrel shall be at double the Journeyman rate. Workmen required to work 50 feet or more below the surface of the earth will be paid 50% above the Journeyman rate.

Prevailing Wage Rate Skilled Crafts

Name of Union: Electrical Local 648 Voice Date Video

Change # : LCR02-2018fbLoc648VDV

Craft : Voice Data Video Effective Date : 11/28/2018 Last Posted : 11/28/2018

	BHR	Fringe Benefit Payments						Irrevocable Fund		Total PWR	Overtime Rate
		H&W	Pension	App Tr.	Vac.	Annuity	Other	LECET (*)	MISC (*)		
Classification											
Electrical Installer Technician A	\$24.35	\$6.10	\$0.73	\$0.46	\$0.00	\$4.00	\$0.00	\$0.00	\$0.00	\$35.64	\$47.82
Electrical Installer Technician B	\$23.13	\$6.10	\$0.69	\$0.44	\$0.00	\$4.00	\$0.00	\$0.00	\$0.00	\$34.36	\$45.92
JW Installer Technician B	\$21.92	\$6.10	\$0.66	\$0.42	\$0.00	\$4.00	\$0.00	\$0.00	\$0.00	\$33.10	\$44.06
Non BICSI Installer	\$15.83	\$3.00	\$0.47	\$0.30	\$0.00	\$2.00	\$0.00	\$0.00	\$0.00	\$21.60	\$29.51
Apprentice Indentured AFTER 09-03-2018											
1 st Period 0-800 Hrs	\$13.14	\$3.00	\$0.38	\$0.25	\$0.00	\$0.25	\$0.00	\$0.00	\$0.00	\$17.02	\$23.59
2nd Period 801-1600 Hrs	\$13.14	\$3.00	\$0.38	\$0.25	\$0.00	\$0.25	\$0.00	\$0.00	\$0.00	\$17.02	\$23.59
3rd Period 1601-2400 Hrs	\$15.83	\$6.00	\$0.47	\$0.30	\$0.00	\$4.00	\$0.00	\$0.00	\$0.00	\$26.60	\$34.52
4th Period 2401-3200 Hrs	\$15.83	\$6.00	\$0.47	\$0.30	\$0.00	\$4.00	\$0.00	\$0.00	\$0.00	\$26.60	\$34.52
5th Period 3201-4000 Hrs	\$18.26	\$6.03	\$0.55	\$0.35	\$0.00	\$4.00	\$0.00	\$0.00	\$0.00	\$29.19	\$38.32
6th Period 4001-4800 Hrs	\$18.26	\$6.03	\$0.55	\$0.35	\$0.00	\$4.00	\$0.00	\$0.00	\$0.00	\$29.19	\$38.32
7th Period	\$19.48	\$8.04	\$0.58	\$0.30	\$0.00	\$4.00	\$0.00	\$0.00	\$0.00	\$32.40	\$42.14

4801-5600 Hrs												
8th Period 5601-6400	\$19.48	\$8.04	\$0.58	\$0.37	\$0.00	\$4.00	\$0.00	\$0.00	\$0.00	\$0.00	\$32.47	\$42.21
Cable Puller	\$12.18	\$3.00	\$0.37	\$0.23	\$0.00	\$0.25	\$0.00	\$0.00	\$0.00	\$0.00	\$16.03	\$22.12
Apprentice Indentured PRIOR to 09-03-2018	Percent											
1st period 0-800 hrs	50.00	\$12.18	\$6.10	\$0.37	\$0.23	\$0.00	\$0.25	\$0.00	\$0.00	\$0.00	\$19.12	\$25.21
2nd period 801-1600 hrs	50.00	\$12.18	\$6.10	\$0.37	\$0.23	\$0.00	\$0.25	\$0.00	\$0.00	\$0.00	\$19.12	\$25.21
3rd period 1601-2400 hrs	60.00	\$14.61	\$6.10	\$0.44	\$0.28	\$0.00	\$4.00	\$0.00	\$0.00	\$0.00	\$25.43	\$32.74
4th period 2401-3200 hrs	65.00	\$15.83	\$6.10	\$0.47	\$0.30	\$0.00	\$4.00	\$0.00	\$0.00	\$0.00	\$26.70	\$34.61
5th period 3201-4000 hrs	70.00	\$17.04	\$6.10	\$0.51	\$0.32	\$0.00	\$4.00	\$0.00	\$0.00	\$0.00	\$27.97	\$36.50
6th period 4001-4800 hrs	75.00	\$18.26	\$6.10	\$0.55	\$0.35	\$0.00	\$4.00	\$0.00	\$0.00	\$0.00	\$29.26	\$38.39
Cable Puller	50.00	\$12.18	\$3.00	\$0.37	\$0.23	\$0.00	\$0.25	\$0.00	\$0.00	\$0.00	\$16.02	\$22.11

Special Calculation Note :

Ratio :

1 Technician to 1 Apprentice

Jurisdiction (* denotes special jurisdictional note) :

BUTLER, WARREN*

Special Jurisdictional Note : The following townships In Warren County are included: (Deerfield, Hamilton, Harlan, Massie, Salem, Turtle Creek, Union, and Washington)

Details :

The following work is excluded from the Teledata Technician work scope:

*The installation of computer systems in industrial applications such as assembly lines, robotics, computer controller manufacturing systems.

*The installation of conduit and/or raceways shall be installed by Inside Wireman. On sites where there is no Inside Wireman employed, the Teledata Technician may install raceway or conduit not greater than 10 ft.

*Fire Alarm work is excluded on all new construction sites or wherever the fire alarm system is installed in conduit

*All HVAC control work.

Prevailing Wage Rate Skilled Crafts

Name of Union: Electrical Local 82 Inside

Change # : LCN01-2018fbLoc82in

Craft : Electrical Effective Date : 12/03/2018 Last Posted : 11/14/2018

	BHR		Fringe Benefit Payments					Irrevocable Fund		Total PWR	Overtime Rate	
			H&W	Pension	App Tr.	Vac.	Annuity	Other	LECET (*)			MISC (*)
Classification												
Electrician	\$30.15		\$6.80	\$8.75	\$0.51	\$0.00	\$3.20	\$0.00	\$0.00	\$0.00	\$49.41	\$64.48
Apprentice	Percent											
1st period 0 - 1000 hrs	42.00	\$12.66	\$3.42	\$0.58	\$0.22	\$0.00	\$0.00	\$0.00	\$0.00	\$0.00	\$16.88	\$23.21
2nd period 1001-2000 hrs	42.00	\$12.66	\$3.42	\$0.58	\$0.22	\$0.00	\$0.00	\$0.00	\$0.00	\$0.00	\$16.88	\$23.21
3rd period 2001-3500 hrs	47.00	\$14.17	\$6.27	\$4.12	\$0.24	\$0.00	\$1.50	\$0.00	\$0.00	\$0.00	\$26.30	\$33.39
4th period 3501-5000 hrs	52.00	\$15.68	\$6.32	\$4.55	\$0.27	\$0.00	\$1.66	\$0.00	\$0.00	\$0.00	\$28.48	\$36.32
5th period 5001-6500 hrs	60.00	\$18.09	\$6.80	\$5.25	\$0.31	\$0.00	\$1.92	\$0.00	\$0.00	\$0.00	\$32.37	\$41.42
6th period 6501-8000 hrs	75.00	\$22.61	\$6.80	\$6.57	\$0.38	\$0.00	\$2.40	\$0.00	\$0.00	\$0.00	\$38.76	\$50.07

Special Calculation Note : No special calculations for this skilled craft wage rate are required at this time.

Ratio :

1 to 3 Journeymen to 3 Apprentices
4 to 6 Journeymen to 6 Apprentices
per job site

Jurisdiction (* denotes special jurisdictional note) :

CLINTON, DARKE, GREENE, MIAMI,
MONTGOMERY, PREBLE, WARREN*

Special Jurisdictional Note : The following townships in Warren County are included: Clearcreek, Franklin and Wayne.

Details :

Prevailing Wage Rate Skilled Crafts

Name of Union: Electrical Local 82 Inside Lt Commercial South West

Change # : LCNO1-2016fbLoc82in

Craft : Electrical Effective Date : 01/06/2016 Last Posted : 01/06/2016

	BHR		Fringe Benefit Payments					Irrevocable Fund		Total PWR	Overtime Rate	
			H&W	Pension	App Tr.	Vac.	Annuity	Other	LECET (*)			MISC (*)
Classification												
Electrician	\$28.60		\$6.20	\$8.46	\$0.49	\$0.00	\$2.45	\$0.00	\$0.00	\$0.00	\$46.20	\$60.50
CE-3 12,001-14,000	\$20.67		\$5.21	\$0.62	\$0.63	\$0.00	\$0.62	\$0.00	\$0.00	\$0.10	\$27.85	\$38.19
CE-2 10,000-12,000 Hrs	\$16.24		\$5.21	\$0.49	\$0.63	\$0.00	\$0.49	\$0.00	\$0.00	\$0.10	\$23.16	\$31.28
CE-1 8,001-10,000 Hrs	\$14.77		\$5.21	\$0.44	\$0.63	\$0.00	\$0.44	\$0.00	\$0.00	\$0.10	\$21.59	\$28.98
CW-4 6,001-8,000 Hrs	\$13.29		\$5.21	\$0.40	\$0.63	\$0.00	\$0.40	\$0.00	\$0.00	\$0.10	\$20.03	\$26.67
CW-3 4,001-6,000 Hrs	\$11.81		\$5.21	\$0.35	\$0.63	\$0.00	\$0.35	\$0.00	\$0.00	\$0.10	\$18.45	\$24.36
CW-2 2,001-4,000 Hrs	\$10.34		\$5.21	\$0.31	\$0.63	\$0.00	\$0.31	\$0.00	\$0.00	\$0.10	\$16.90	\$22.07
CW-1 0-2,000 Hrs	\$10.34		\$5.21	\$0.31	\$0.63	\$0.00	\$0.31	\$0.00	\$0.00	\$0.10	\$16.90	\$22.07
Apprentice	Percent											
1st period 0-1000 hrs	40.00	\$11.44	\$6.20	\$0.34	\$0.19	\$0.00	\$0.00	\$0.00	\$0.00	\$0.00	\$18.17	\$23.89
2nd period 1001-2000 hrs	40.00	\$11.44	\$6.20	\$0.34	\$0.19	\$0.00	\$0.00	\$0.00	\$0.00	\$0.00	\$18.17	\$23.89
3rd period 2001-3500 hrs	45.00	\$12.87	\$6.20	\$3.81	\$0.22	\$0.00	\$1.10	\$0.00	\$0.00	\$0.00	\$24.20	\$30.63
4th period 3501-5000 hrs	50.00	\$14.30	\$6.20	\$4.23	\$0.24	\$0.00	\$1.23	\$0.00	\$0.00	\$0.00	\$26.20	\$33.35
5th period 5001-6500	60.00	\$17.16	\$6.20	\$5.07	\$0.29	\$0.00	\$1.47	\$0.00	\$0.00	\$0.00	\$30.19	\$38.77

hrs												
6th period 6501-8000 hrs	75.00	\$21.45	\$6.20	\$6.34	\$0.36	\$0.00	\$1.84	\$0.00	\$0.00	\$0.00	\$36.19	\$46.92

Special Calculation Note : No special calculations for this skilled craft wage rate are required at this time.

Ratio :

1 to 3 Journeymen to 3 Apprentices
 4 to 6 Journeymen to 6 Apprentices
 per job site

Jurisdiction (* denotes special jurisdictional note) :

CLINTON, DARKE, GREENE, MIAMI,
 MONTGOMERY, PREBLE, WARREN*

Construction Electrician and Construction Wireman Ratio

There shall be a minimum ratio of one inside Journeyman to every (4) employees of different classification per jobsite. An inside Journeyman Wireman is required on the project as the fifth (5th) worker or when apprentices are used.

Special Jurisdictional Note : The following townships in Warren County are included: Clearcreek, Franklin and Wayne.

The scope of work for the light commercial agreement shall apply to the following facilities not to exceed 200,000 square feet; office buildings, shopping centers, auto sales agencies and garages, churches, funeral homes, nursing homes, hotels, retail and wholesale facilities, small stand-alone manufacturing facilities when free standing and not part of a larger facility (not to exceed 50,000 square fee), solar projects (500 panels or less) unless otherwise covered under the agreement, lighting retrofits (when not associated with remodels involving branch re-circuiting) lighting retrofits shall be defined as the changing of lamps and ballasts in existing light fixtures and shall also include the one for one replacement of existing fixtures, warehouses, gas stations, food service centers, restaurants, entertainment facilities, hospitals, clinics, motels, residential buildings.

Details :

Prevailing Wage Rate Skilled Crafts

Name of Union: Electrical Local 82 Lightning Rod

Change # : LCR02-2018fbLoc82

Craft : Electrical Effective Date : 12/03/2018 Last Posted : 11/14/2018

	BHR	Fringe Benefit Payments						Irrevocable Fund		Total PWR	Overtime Rate
		H&W	Pension	App Tr.	Vac.	Annuity	Other	LECET (*)	MISC (*)		
Classification											
Electrical Lightning Rod Technican	\$29.79	\$6.80	\$8.74	\$0.00	\$0.00	\$3.20	\$0.00	\$0.00	\$0.00	\$48.53	\$63.43

Special Calculation Note : No Apprentice approved by OSAC.

Ratio :

Jurisdiction (* denotes special jurisdictional note) :

CLINTON, DARKE, GREENE, MIAMI, MONTGOMERY, PREBLE, WARREN*

Special Jurisdictional Note : The following townships in Warren County are included: (Clearcreek, Franklin and Wayne)

Details :

Prevailing Wage Rate Skilled Crafts

Name of Union: Electrical Local 82 Voice Data Video

Change # : LCR05-2018fbLoc82VDV

Craft : Voice Data Video Effective Date : 11/28/2018 Last Posted : 11/28/2018

	BHR	Fringe Benefit Payments						Irrevocable Fund		Total PWR	Overtime Rate
		H&W	Pension	App Tr.	Vac.	Annuity	Other	LECET (*)	MISC (*)		
Classification											
Electrical Installer Technician A	\$24.35	\$6.10	\$0.73	\$0.46	\$0.00	\$4.00	\$0.00	\$0.00	\$0.00	\$35.64	\$47.82
Electrical Installer Technician B	\$23.13	\$6.10	\$0.69	\$0.44	\$0.00	\$4.00	\$0.00	\$0.00	\$0.00	\$34.36	\$45.92
JW Installer Technician	\$21.92	\$6.10	\$0.66	\$0.42	\$0.00	\$4.00	\$0.00	\$0.00	\$0.00	\$33.10	\$44.06
NON BICSI Installer	\$15.83	\$3.00	\$0.47	\$0.30	\$0.00	\$2.00	\$0.00	\$0.00	\$0.00	\$21.60	\$29.51
Apprentice Indentured Before 09-03-2018											
1st Period 0-800 Hrs	\$12.18	\$6.10	\$0.37	\$0.23	\$0.00	\$0.25	\$0.00	\$0.00	\$0.00	\$19.13	\$25.22
2nd Period 801-1600 Hrs	\$12.18	\$6.10	\$0.37	\$0.23	\$0.00	\$0.25	\$0.00	\$0.00	\$0.00	\$19.13	\$25.22
3rd Period 1601-2400 Hrs	\$14.61	\$6.10	\$0.44	\$0.28	\$0.00	\$4.00	\$0.00	\$0.00	\$0.00	\$25.43	\$32.74
4th Period 2401-3200 Hrs	\$15.83	\$6.10	\$0.47	\$0.30	\$0.00	\$4.00	\$0.00	\$0.00	\$0.00	\$26.70	\$34.61
5th Period 3201-4000 Hrs	\$17.05	\$6.10	\$0.51	\$0.32	\$0.00	\$4.00	\$0.00	\$0.00	\$0.00	\$27.98	\$36.51
6th Period 4001 Hours	\$18.26	\$6.10	\$0.55	\$0.35	\$0.00	\$4.00	\$0.00	\$0.00	\$0.00	\$29.26	\$38.39
Cable Puller	\$12.18	\$3.00	\$0.37	\$0.23	\$0.00	\$0.25	\$0.00	\$0.00	\$0.00	\$16.03	\$22.12

Apprentice Indentured After 09-04-2018	Percent											
1st 0-1000 hours	55.00	\$13.39	\$3.00	\$0.39	\$0.25	\$0.00	\$0.25	\$0.00	\$0.00	\$0.00	\$17.28	\$23.98
2nd 1001-2000 hours	55.00	\$13.39	\$3.00	\$0.39	\$0.25	\$0.00	\$0.25	\$0.00	\$0.00	\$0.00	\$17.28	\$23.98
3rd 2001-3000 hours	65.00	\$15.83	\$6.00	\$0.47	\$0.30	\$0.00	\$4.00	\$0.00	\$0.00	\$0.00	\$26.60	\$34.51
4th 3001-4000 hours	65.00	\$15.83	\$6.00	\$0.47	\$0.30	\$0.00	\$4.00	\$0.00	\$0.00	\$0.00	\$26.60	\$34.51
5th 4001-5000 hours	75.00	\$18.26	\$6.03	\$0.55	\$0.35	\$0.00	\$4.00	\$0.00	\$0.00	\$0.00	\$29.19	\$38.32
6th 5001-6000 hours	75.00	\$18.26	\$6.03	\$0.55	\$0.35	\$0.00	\$4.00	\$0.00	\$0.00	\$0.00	\$29.19	\$38.32
7th 6001-7000 hours	80.00	\$19.48	\$6.04	\$0.58	\$0.37	\$0.00	\$4.00	\$0.00	\$0.00	\$0.00	\$30.47	\$40.21
8th 7001 hours	80.00	\$19.48	\$6.04	\$0.58	\$0.37	\$0.00	\$4.00	\$0.00	\$0.00	\$0.00	\$30.47	\$40.21
Cable Puller	50.00	\$12.18	\$3.00	\$0.37	\$0.23	\$0.00	\$0.25	\$0.00	\$0.00	\$0.00	\$16.02	\$22.11

Special Calculation Note : No special calculations for this skilled craft wage rate are required at this time.

Ratio :

1 Journeymen to 2 Apprentice
(Indentured After 9-4-2018)

1 Journeymen to 1 Apprentice
(Indentured Before 9--03-2018)

Jurisdiction (* denotes special jurisdictional note) :

CLINTON, DARKE, GREENE, MIAMI,
MONTGOMERY, PREBLE, WARREN*

Special Jurisdictional Note : The following townships in Warren County are included: (Clearcreek, Franklin and Wayne)

Details :

Work covered but not limited to: installation which utilize transmission and/or transference of voice, sound, vision or digital for commercial, education, security and entertainment purposes for the following:

TV monitoring and surveillance, background-foreground music, intercom and telephone interconnect, inventory control systems, microwave transmission, multimedia, multiplex, nurse call system, radio page, school intercom, sound and low voltage master clock systems.

Fire Alarm work is excluded on all new construction sites or wherever the fire alarm system is installed in conduit.

All HVAC control work is not covered by this wage rate but by the Inside Electrical wage rate.

Prevailing Wage Rate Skilled Crafts

Name of Union: Ironworker Local 290

Change # : LCN01-2018fbLoc290

Craft : Ironworker Effective Date : 06/13/2018 Last Posted : 06/13/2018

	BHR		Fringe Benefit Payments					Irrevocable Fund		Total PWR	Overtime Rate	
			H&W	Pension	App Tr.	Vac.	Annuity	Other	LECET (*)			MISC (*)
Classification												
Ironworker Structural	\$28.25		\$8.10	\$9.50	\$0.65	\$0.00	\$3.88	\$0.02	\$0.00	\$0.00	\$50.40	\$64.52
Welder	\$28.25		\$8.10	\$9.50	\$0.65	\$0.00	\$3.88	\$0.02	\$0.00	\$0.00	\$50.40	\$64.52
Fence Erector	\$28.25		\$8.10	\$9.50	\$0.65	\$0.00	\$3.88	\$0.02	\$0.00	\$0.00	\$50.40	\$64.52
Reinforcing Rods	\$28.25		\$8.10	\$9.50	\$0.65	\$0.00	\$3.88	\$0.02	\$0.00	\$0.00	\$50.40	\$64.52
Machinery Mover	\$28.25		\$8.10	\$9.50	\$0.65	\$0.00	\$3.88	\$0.02	\$0.00	\$0.00	\$50.40	\$64.52
Sheeter	\$28.25		\$8.10	\$9.50	\$0.65	\$0.00	\$3.88	\$0.02	\$0.00	\$0.00	\$50.40	\$64.52
Metal Building Erector	\$28.25		\$8.10	\$9.50	\$0.65	\$0.00	\$3.88	\$0.02	\$0.00	\$0.00	\$50.40	\$64.52
Rigger & Erector	\$28.25		\$8.10	\$9.50	\$0.65	\$0.00	\$3.88	\$0.02	\$0.00	\$0.00	\$50.40	\$64.52
Apprentice	Percent											
1st year	65.27	\$18.44	\$8.10	\$9.50	\$0.65	\$0.00	\$2.38	\$0.02	\$0.00	\$0.00	\$39.09	\$48.31
2nd year	75.25	\$21.26	\$8.10	\$9.50	\$0.65	\$0.00	\$2.38	\$0.02	\$0.00	\$0.00	\$41.91	\$52.54
3rd year	85.27	\$24.09	\$8.10	\$9.50	\$0.65	\$0.00	\$2.38	\$0.02	\$0.00	\$0.00	\$44.74	\$56.78
4th year	95.25	\$26.91	\$8.10	\$9.50	\$0.65	\$0.00	\$2.38	\$0.02	\$0.00	\$0.00	\$47.56	\$61.01

Special Calculation Note : Other is for Industry Fund.

Ratio :

3 Journeymen to 1 Apprentice

Jurisdiction (* denotes special jurisdictional note) :

ALLEN*, AUGLAIZE, BUTLER*, CHAMPAIGN*, CLARK, CLINTON, DARKE, FAYETTE*, GREENE, HARDIN*, HIGHLAND*, LOGAN*, MADISON*, MERCER*, MIAMI, MONTGOMERY, PREBLE, SHELBY, VAN WERT*, WARREN*

Special Jurisdictional Note : Allen County Twps included are: Auglaize, Perry, Shawnee, Amanda, Spencer, Marion, Sugar Creek, American, Bath, Jackson. Butler County Twps included are: Milford, Wayne, Madison, Lemon. Champaign Cnty Twps included are: Union, Urbana, Jackson, Concord, Salem, Mad River, Johnson, Harrison, Adams. Fayette County Twps included are: Green, Jasper,

Concord, Jefferson. Hardin County Twps included are: Round Head, Marion, Liberty. Highland County Twps included are: Fairfield, Penn, Union, Marshall, Liberty, Paint, Brush Creek. Logan County Twps included are: Richland, Stokes, Bloomfield, Washington, Harrison, McArthur, Lake, Liberty, Pleasant, Miami. Madison County Twps included are: Stokes. Mercer County Twps included are: Dublin, Washington, Jefferson, Recovery, Gibson, Union, Liberty, Butler, Granville, Center, Hopewell, Franklin, Marion. VanWert County Twps included are: Jennings. Warren County Twps included are: Franklin, Clear Creek, Turtle Creek, Wayne, Massie, Washington, Salem, Union.

Details :

Structural Iron Work but not limited to:field fabrication, all loading to and including the erecting,rigging,assembly,dismantling, placing, temporary and permanent securing by any means of all structural iron,steel,ornamental lead,bronze,brass,copper,aluminum,glass all ferrous and non ferrous metal and composite material, precast prestressed and post-stressed concrete structures. Bridges and bridge rails,bridge viaducts,bucks bulkheads,bumper and bumper post,canopies and unistrut canopies,corrugated ferrous and non ferrous sheets when attached to steel frames,columns,beams,bar-joists,trusses,grinders,roof decking,electrical supports,elevator cars,elevator fronts and enclosures,erection of steel towers,flag poles, gymnasium equipment,stadium and arena seating,jail cell work,jail cell beds,benches,bunks,chairs,tables,mirrors,jail cell access doors,rigging and installation of machinery and equipment(erection,aligning,anchoring and dismantling, erection and dismantling of tower cranes,derrick monorail systems, Chicago booms,overhead cranes,gantries,material and personnel hoists,tanks,hoppers and conveyors. All pre-engineered metal buildings and their entirety including siding,roofing, gutters, downspouts and erection of all.

Ornamental Iron Work but not limited to:all work in connection with field fabrication,handling including loading/off loading,sorting,cutting,fastening,anchoring,bending,hoisting,placing,burning,welding,and tying,dismantling of all materials used in miscellaneous iron or steel, for stairs,hand railings,rolling doors, rolling gates,rolling shutters,fence,windows,curtain wall,erection and welding of all metal, sash,architectural and ornamental treatments, but not necessarily limited to all sizes and types of ornamental,steel iron,lead,bronze,brass,copper,aluminum,all ferrous and non ferrous metals and composite materials

Fence Erector Iron Worker but not limited to: All work in connection with the field fabrication and erection of chain link fence,which includes but not limited to the loading and of the fence fabric and posts also the installation of the above.

Prevailing Wage Rate Skilled Crafts

Name of Union: Ironworker Local 44

Change # : LCNO1-2018fbLoc44

Craft : Ironworker Effective Date : 07/25/2018 Last Posted : 07/25/2018

	BHR		Fringe Benefit Payments					Irrevocable Fund		Total PWR	Overtime Rate
			H&W	Pension	App Tr.	Vac.	Annuity	Other	LECET (*)		
Classification											
Ironworker Reinforcing	\$28.67	\$8.10	\$9.50	\$0.60	\$0.00	\$3.00	\$0.18	\$0.00	\$0.00	\$50.05	\$64.39
Structural	\$28.17	\$8.10	\$9.50	\$0.60	\$0.00	\$3.00	\$0.18	\$0.00	\$0.00	\$49.55	\$63.64
Ornamental	\$28.17	\$8.10	\$9.50	\$0.60	\$0.00	\$3.00	\$0.18	\$0.00	\$0.00	\$49.55	\$63.64
Machine Mover/Rigger	\$28.17	\$8.10	\$9.50	\$0.60	\$0.00	\$3.00	\$0.18	\$0.00	\$0.00	\$49.55	\$63.64
Conveyer Mechanic	\$28.17	\$8.10	\$9.50	\$0.60	\$0.00	\$3.00	\$0.18	\$0.00	\$0.00	\$49.55	\$63.64
Maintenance/Heavy Hwy	\$28.17	\$8.10	\$9.50	\$0.60	\$0.00	\$3.00	\$0.18	\$0.00	\$0.00	\$49.55	\$63.64
Welder A	\$28.42	\$8.10	\$9.50	\$0.60	\$0.00	\$3.00	\$0.18	\$0.00	\$0.00	\$49.80	\$64.01
Welder B	\$28.67	\$8.10	\$9.50	\$0.60	\$0.00	\$3.00	\$0.18	\$0.00	\$0.00	\$50.05	\$64.39
Sheeter	\$28.17	\$8.10	\$9.50	\$0.60	\$0.00	\$3.00	\$0.18	\$0.00	\$0.00	\$49.55	\$63.64
Fence Erector	\$26.76	\$8.10	\$9.50	\$0.60	\$0.00	\$3.00	\$0.18	\$0.00	\$0.00	\$48.14	\$61.52
Ironworker	\$28.17	\$8.10	\$9.50	\$0.60	\$0.00	\$3.00	\$0.18	\$0.00	\$0.00	\$49.55	\$63.64
1st yr A	55.00	\$15.77	\$8.10	\$9.50	\$0.60	\$0.00	\$0.75	\$0.18	\$0.00	\$34.90	\$42.78
1st yr B	60.00	\$17.20	\$8.10	\$9.50	\$0.60	\$0.00	\$0.75	\$0.18	\$0.00	\$36.33	\$44.93
1st yr C	65.00	\$18.64	\$8.10	\$9.50	\$0.60	\$0.00	\$0.75	\$0.18	\$0.00	\$37.77	\$47.08
2nd yr A	70.00	\$20.07	\$8.10	\$9.50	\$0.60	\$0.00	\$0.75	\$0.18	\$0.00	\$39.20	\$49.23
2nd yr B	75.00	\$21.50	\$8.10	\$9.50	\$0.60	\$0.00	\$0.75	\$0.18	\$0.00	\$40.63	\$51.38
3rd yr A	80.00	\$22.94	\$8.10	\$9.50	\$0.60	\$0.00	\$1.50	\$0.18	\$0.00	\$42.82	\$54.28
3rd yr B	85.00	\$24.37	\$8.10	\$9.50	\$0.60	\$0.00	\$1.50	\$0.18	\$0.00	\$44.25	\$56.43
4th yr A	90.00	\$25.80	\$8.10	\$9.50	\$0.60	\$0.00	\$2.25	\$0.18	\$0.00	\$46.43	\$59.33
4th yr B	95.00	\$27.24	\$8.10	\$9.50	\$0.60	\$0.00	\$2.25	\$0.18	\$0.00	\$47.87	\$61.48
4th yr C	100.00	\$28.67	\$8.10	\$9.50	\$0.60	\$0.00	\$2.25	\$0.18	\$0.00	\$49.30	\$63.64

Special Calculation Note : Other is Impact Fund Training

Ratio :

1 Journeymen to 1 Apprentice
2 Journeymen to 2 Apprentice

Jurisdiction (* denotes special jurisdictional note) :

ADAMS*, BROWN, BUTLER*, CLERMONT,
CLINTON*, HAMILTON, HIGHLAND*, WARREN*

10 Journeymen to 4 Apprentices

Special Jurisdictional Note : Adams County Twps included: Bratton, Scott, Winchester, Wayne. Butler County Twps included: Oxford, St. Clair, Fairfield, Morgan, Liberty, Union, Ross, Reily, Hanover, West Chester. In Clinton County, Manchester and South West Borrow. Highland County Twps included: Dotson, Salem, Clay, White Oak, Hamer, New Market, Concord, Jackson, Washington. Warren County Twps included: Harlan, Deerfield, Hamilton.

Details :

Structural Iron Work but not limited to:field fabrication, all loading to and including the erecting,rigging,assembly,dismantling, placing, temporary and permanent securing by any means of all structural iron,steel,ornamental lead,bronze,brass,copper,aluminum,glass all ferrous and non ferrous metal and composite material, precast prestressed and post-stressed concrete structures. Bridges and bridge rails,bridge viaducts,bucks bulkheads,bumper and bumper post,canopies and unistrut canopies,corrugated ferrous and non ferrous sheets when attached to steel frames,columns,beams,bar-joists,trusses,grinders,roof decking,electrical supports,elevator cars,elevator fronts and enclosures,erection of steel towers,flag poles, gymnasium equipment,stadium and arena seating,jail cell work,jail cell beds,benches,bunks,chairs,tables,mirrors,jail cell access doors,rigging and installation of machinery and equipment(erection,aligning,anchoring and dismantling, erection and dismantling of tower cranes,derrick monorail systems, Chicago booms,overhead cranes,gantries,material and personnel hoists,tanks,hoppers and conveyors. All pre-engineered metal buildings and their entirety including siding,roofing, gutters, downspouts and erection of all.

Ornamental Iron Work but not limited to:all work in connection with field fabrication,handling including loading/off loading,sorting,cutting,fastening,anchoring,bending,hoisting,placing,burning,welding,and tying,dismantling of all materials used in miscellaneous iron or steel, for stairs,hand railings,rolling doors, rolling gates,rolling shutters,fence,windows,curtain wall,erection and welding of all metal, sash,architectural and ornamental treatments, but not necessarily limited to all sizes and types of ornamental,steel iron,lead,bronze,brass,copper,aluminum,all ferrous and non ferrous metals and composite materials

Fence Erector Iron Worker but not limited to: All work in connection with the field fabrication and erection of chain link fence,which includes but not limited to the loading and of the fence fabric and posts also the installation of the above.

SECTION M

***SPECIAL PROVISIONS/TECHNICAL
SPECIFICATIONS***

**SOCIALVILLE-FOSTERS ROAD BRIDGE #32-5.14 REHABILITATION AND
RETAINING WALL REPLACEMENT PROJECT
SPECIAL PROVISIONS/TECHNICAL SPECIFICATIONS**

The 2016 Ohio Department of Transportation Construction and Material Specifications and the Supplemental Specifications shall govern this project unless stated otherwise by the Warren County Engineer, herein referred to as “Engineer”, “Project Engineer” and “County Engineer”.

It is required that the bidder be an ODOT pre-qualified Contractor to complete the construction work required in these Bid Documents. The Contractor, Sub-Contractor, and Fabricators must meet or exceed the ODOT Minimum Skills Requirements for all Work Types involved in this project.

Conflicting Items in Bid Documents

Whenever the Technical Specifications and Bid Proposal Quantities differ from the Construction Plans, the Technical Specifications and Bid Proposal Quantities shall control for the bidding of this project. The bridge rehabilitation and the retaining wall replacement are two different construction plan sets, however both have been combined into a single bid proposal/technical specification package.

Construction Engineering and Project Inspection

The Warren County Engineer will provide all construction engineering and project inspection for the construction of this project. The Ohio Department of Natural Resources will be involved in the retaining wall replacement work only, since this work area falls within 1,000 feet of the Little Miami River.

Operations Schedule

The Contractor shall advise and coordinate all work with the Engineer. A detailed schedule of operations shall be furnished by the Contractor to the Engineer and shall list the order of operations and the time frame for the completion of each item of work. The Engineer and the Owner prior to the beginning of the work shall approve the schedule of operations. Changes to said schedule are to be issued in writing and approved by the Engineer before operations are changed or rescheduled. The Contractor shall schedule operations so that the improved areas have had sufficient time to cure, set and/or harden before the area is opened to traffic or use. The Contractor shall be responsible for the immediate repair of the improved area if any damage is done by traffic. The Contractor shall also be responsible for the immediate rectification of problems created in areas outside of the improved areas attributable to the failure of the improved area, i.e., the tracking of materials into unimproved areas.

Preconstruction Meeting

Prior to the commencement of the construction activities, the Warren County Engineer will arrange a meeting between the Contractor, the Warren County Engineer, and the SW Ohio Scenic Rivers Regional Manager. The time, date, and location of said meeting will be determined after the awarding of the contract. All parties will be notified by the Warren County Engineer. At the

**SOCIALVILLE-FOSTERS ROAD BRIDGE #32-5.14 REHABILITATION AND
RETAINING WALL REPLACEMENT PROJECT
SPECIAL PROVISIONS/TECHNICAL SPECIFICATIONS**

preconstruction meeting the Contractor shall submit to the Project Manager a construction schedule, list of subcontractors, and list of suppliers.

Project Start Date

The Contractor shall begin the construction once a written notice-to-proceed has been given by the Board of Warren County Commissioners, the Ohio Public Works Commission, and a preconstruction meeting with the Warren County Engineer has been held. It is anticipated that both notices will be given to the Contractor by the middle of July, 2019. It is expected that work shall start immediately after both notices have been given.

Completion Time

All bridge rehabilitation and retaining wall replacement work shall both be completed within 12 weeks after the written notice-to-proceed has been issued by the Board of Warren County Commissioners, the Ohio Public Works Commission, a preconstruction meeting has been held, and construction has started. Liquidated damages for non-completion beyond the 12 weeks shall follow the CMS 108.07. Once work has started it shall be expected that work will be performed every work day on the project in an expeditious manner until the project is complete unless of inclement weather.

Once the road has been closed the Warren County Engineer's Office would prefer for work to begin on both the bridge and the retaining wall. It is hopeful that the retaining wall work can be completed with the first 6 weeks of the closure. The Warren County Water and Sewer Department may be able to slightly reduce the flow in Simpson Creek during the months of August and September. Also, the Warren County Engineer's Office is planning to resurface Socialville-Fosters Road from the southeast work limits of the bridge rehabilitation (Station 16+80) to the Old 3C Highway intersection in the annual resurfacing project. The resurfacing would take place after the retaining wall work was completed but before the bridge work is finished, so the road would still be closed to traffic. At the completion of the bridge work the Contractor shall pave and stripe to the newly resurfaced pavement.

Working Restrictions

No work shall be done between 6:00 p.m Friday and 7:00 a.m. Monday or during holidays, unless approved by the County Engineer. In addition, night work of any type shall be strictly prohibited, unless approved by the County Engineer.

Payment of Work

Contractor Estimates shall not be submitted more than once a month to the County Engineer for work included in the Contract between the County Commissioners and the Contractor. The bridge portion of this project has Ohio Public Works Commission funding. Estimates will be reviewed by the Warren County Engineer's Office then the Ohio Public Works Commission will

**SOCIALVILLE-FOSTERS ROAD BRIDGE #32-5.14 REHABILITATION AND
RETAINING WALL REPLACEMENT PROJECT
SPECIAL PROVISIONS/TECHNICAL SPECIFICATIONS**

make direct payments to the Contractor for 49% of the bridge construction costs. The Warren County Engineer will make payments to the Contractor for 51% of the bridge construction costs and 100% of the retaining wall replacement construction costs.

Retainage and Affidavits

The contractor shall provide the County Engineer with affidavits stating that all subcontractors and suppliers for this project have been paid in full in accordance with CMS 109.08. A percentage of the original contract bid amount shall be retained on this project. Until 50% of the original contract has been performed, 8% of the amount of work performed will be retained. Once 50% of the contract has been performed and thereafter, a total of 4% of the original contract bid amount will be retained. The entire retainage will be released to the Contractor after the final inspection has been performed, after the County Engineer has accepted the construction, and after all affidavits have been submitted to the County Engineer by the Contractor.

Change Orders

No change orders involving performance or nonperformance contract quantities of project materials shall be processed without direct approval by the Warren County Engineer.

Storage of Construction Materials

The Contractor shall obtain prior approval of the Owner and/or Engineer for the locations to be used for the temporary storage of construction materials, tools, and/or machinery. **Storage of any fuel or toxic/hazardous materials within the 100 year floodplain of the Little Miami River is prohibited.** All such materials, tools, and machinery shall be neatly and compactly piled in such a manner as to cause the least inconvenience to the property owners and to traffic. Under no circumstances shall existing drainage courses be blocked or water hydrants, valves, or meter pits covered.

Protection of Areas Outside of Work Limits

The Contractor shall be responsible for the protection of areas outside of the designated work limits, but which may be adjacent to those work limits. This will include those areas used by construction traffic for access to and from the work areas. Where the Engineer determines that the Contractor's operations have been responsible for damage to areas outside of the work limits, the Contractor shall be responsible for the repair of the area subject to the approval of the Engineer. No additional compensation will be due to the Contractor for any repair of these areas.

Debris Removal

The Contractor shall be responsible for removal from the site of all construction debris material. All debris material shall be disposed of in a proper manner and shall be as directed by any applicable local, state or federal regulations. Contractor shall take precautions to avoid any

**SOCIALVILLE-FOSTERS ROAD BRIDGE #32-5.14 REHABILITATION AND
RETAINING WALL REPLACEMENT PROJECT
SPECIAL PROVISIONS/TECHNICAL SPECIFICATIONS**

construction debris from entering the stream. Any material that does fall into the stream shall be removed as soon as possible.

Debris Containment

The Contractor shall prevent all material, bridge sealers, and other construction debris from falling into the stream during the entire project. Any material which falls into the stream shall be removed immediately. The Contractor shall utilize appropriate aprons for complete containment of all sealer debris particles from spillage or over spray. Disposal of material within wetlands, floodplains, or within 1,000 feet of the Little Miami River is prohibited.

Utility Notification

The Contractor shall notify at least 48 hours before breaking ground all public and/or private service corporation having wires, poles, conduits, manholes, or other structures that may be affected by the construction on this project, including all structures which are affected and not shown on the plans. Owners of underground utilities, which are members of OUPS, can be notified by calling 1-800-362-2764. Non-member underground utility owners must be called directly.

Utility Adjustments and Verification

The Contractor shall adjust to proposed grade all existing utility facilities, i.e. manholes, catch basins, valves, boxes, etc., prior to the commencement of paving operation. This shall include utility facilities, not shown on the plan, which may be found to be located within the pavement area. Work performed on the utility facilities shall be in strict accordance with the specifications of the applicable utility owner and shall be performed under the direction, supervision and inspection of said owner.

Existing Pipe

The location, size, type and depth of all existing pipe are shown as according to the best information. The Engineer will not be responsible for any variations found during construction. Where the plans provide for conduit to be connected to, or to cross either over or under, or close to an existing underground structure, it shall be the responsibility of the Contractor to locate the existing structure, both as to line and grade, before he starts to lay the proposed conduit, in order to assure compatibility of line and grade of the proposed conduit. Payment for all operations described above shall be included in the unit price bid for the pertinent conduit item.

Maintenance of Sewer Flows

The Contractor shall conduct his operations so as to maintain at all times storm water and sewer flows through existing facilities to remain in place and through existing facilities to be replaced until new facilities are completed and placed in use.

**SOCIALVILLE-FOSTERS ROAD BRIDGE #32-5.14 REHABILITATION AND
RETAINING WALL REPLACEMENT PROJECT
SPECIAL PROVISIONS/TECHNICAL SPECIFICATIONS**

Grading at Inlets and Outfalls of Proposed Conduits

The cost of the necessary reconstruction and/or regrading of swales or disturbed areas at the inlets and outfalls of all proposed conduits shall be included in the price bid for the pertinent conduit and inlet items.

Conduit End Treatment

Immediately after placement of any conduits, the Contractor shall construct the end treatments required by the plans at both the outlet and inlet ends. This shall include headwalls, concrete riprap, rock channel protection, sodding, etc.

Conduit, Drainage and Utility Items

Unless otherwise specified on the plans, the unit price bid for the pertinent conduit, drainage and/or utility item shall include the cost of all-necessary appurtenances, connections, fittings, plugs, tees, collars, etc.

Unless otherwise noted on the plans, the unit price for the pertinent conduit, drainage and/or utility item is to include the costs involved in the excavation of the trench in unclassified material, the supplying and placing of the required bedding material and the backfilling of the trench with the specified material to the appropriate subgrade elevations.

The contractor shall take precaution while excavating for pipe near existing utilities. If necessary, the contractor shall hand dig in areas where proposed pipe is to be installed near an existing utility. The Contractor shall hold the Warren County Engineer harmless of liabilities which may arise from the damaging of existing utilities. The payment for hand digging in areas near existing utilities shall be paid for under the price bid for the pertinent item.

Testing of Construction Materials

The Engineer may select a testing firm for this project. The Engineer will notify the Contractor of the selected firm. The Contractor shall be responsible for the scheduling of all testing as per the general testing requirements listed below or as modified by the Engineer. The Engineer shall be responsible for the costs incurred in the testing of the construction materials both on site and at the plant. However, the Contractor shall note that he will be responsible for any and all costs incurred by the scheduling and/or rescheduling of the testing firm's activities by the Contractor and the subsequent delay and/or cancellation of said activities due to the delay and/or cancellation of the scheduled construction by the Contractor.

**SOCIALVILLE-FOSTERS ROAD BRIDGE #32-5.14 REHABILITATION AND
RETAINING WALL REPLACEMENT PROJECT
SPECIAL PROVISIONS/TECHNICAL SPECIFICATIONS**

Description of Work

The Contractor shall perform the bridge rehabilitation, retaining wall replacement, and complete the related roadway items along Socialville-Fosters Road according to the plans and specifications.

Sequence of Construction

The Contractor shall perform the following work items in order to complete the bridge rehabilitation on schedule:

1. Install the maintenance of traffic signage.
2. Remove existing asphalt off bridge to top of non-composite concrete box beams.
3. Remove guardrail for disposal.
4. Sawcut the grout at end of beams (or backwalls), the grout in the shear keys, and through the tie rods.
5. Core or cut all anchor dowels out at end of beams.
6. Remove existing beams.
7. Perform abutment removal work, clean beam seats, and patch core holes with high strength grout.
8. Form and pour concrete substructure extension per the construction plans.
9. Set new bearings and beams.
10. After beams are set place vertical dowels into abutments and piers at the beam ends.
11. Place mortar in shear keys, tie rod recesses, and both fixed vertical dowel holes.
12. Finish abutment and wingwall concrete work.
13. Pour concrete bridge deck with steel drip strip.
14. Saw grooves into the concrete deck.
15. Seal edges of beams, deck, and abutments as detailed in the plans.
16. Treat concrete bridge deck slabs with SRS.
17. Complete related roadway work items.
18. Pave the bridge approaches.
19. Construct the guardrail.
20. Complete all traffic control work.

Little Miami River Work Coordination

The Contractor shall notify the Ohio Department of Natural Resources SW Ohio Scenic Rivers Regional Manager seven days prior to performing any work near the Little Miami River. Contact Information is:

SW Ohio Scenic Rivers Regional Manager
Melissa Clark
1750 Osborn Road
Wilmington, OH 45177
513-934-0751 (Office)
937-477-4790 (Cell)

The SW Ohio Scenic Rivers Regional Manager shall conduct a final inspection before the completion of the project.

**SOCIALVILLE-FOSTERS ROAD BRIDGE #32-5.14 REHABILITATION AND
RETAINING WALL REPLACEMENT PROJECT
SPECIAL PROVISIONS/TECHNICAL SPECIFICATIONS**

Item 201 - Clearing and Grubbing

This work shall consist of clearing, grubbing, scalping, removal of trees and stumps, and removing and disposing of all vegetation and debris within the limits of construction, except such objects as are to remain or are to be removed in accordance with other sections of these specifications. The Contractor shall keep clearing to a minimum removing only what is necessary to complete the project. Payment for the work listed above associated with the bridge rehabilitation shall be included in the Lump Sum bid price for Item 201 Clearing and Grubbing under the Bridge Rehabilitation Items in the Bid Proposal. Payment for the work listed above associated with the retaining wall replacement shall be included in the Lump Sum bid price for Item 201 Clearing and Grubbing under the Retaining Wall Replacement Items in the Bid Proposal.

Item 202 – Removals

This work shall consist of the removal, wholly or in part, and satisfactory disposal of all buildings, fences, guardrails, structures, old pavements, abandoned pipe lines, storage tanks, septic tanks, privy vaults, and any other obstructions which are not designated or permitted to remain, except for the obstructions to be removed and disposed of under other items in the contract. It shall also include the salvaging of designated materials and backfilling the resulting trenches, holes, and pits.

Item 202 – Portions of Structure Removed, As Per Plan

The Contractor shall be responsible for all the equipment, materials, and labor necessary in the removal of the bridge rail, concrete box beams, and portions of the abutments as detailed in the plans. The Contractor shall take into consideration the condition of the beams when planning means and methods of removing asphalt wearing surface and beams due to the deteriorated condition of the beams. The Contractor shall perform the work carefully during the removal to protect portions of the bridge that are to be salvaged and incorporated into the proposed structure. The Contractor shall replace or repair all items that are damaged by the removal operations at no cost to Warren County. Payment for the work listed above shall be included in the Lump Sum bid price for Item 202 Portions of Structure Removed, As Per Plan.

Existing Bridge Plans

The Warren County Engineer can provide the existing bridge plans and the concrete box beam shop drawings to the Contractor at their request.

Item 203 – Excavation including Pavement Removal

All excavation work shall comply with Item 203 Excavation in the 2016 ODOT Construction and Materials Specifications. Payment for the excavation work associated with the bridge rehabilitation including the existing asphalt pavement removal and saw cutting, as detailed in the plans shall be included in bid price per CY for Item 203 Excavation including Pavement

**SOCIALVILLE-FOSTERS ROAD BRIDGE #32-5.14 REHABILITATION AND
RETAINING WALL REPLACEMENT PROJECT
SPECIAL PROVISIONS/TECHNICAL SPECIFICATIONS**

Removal under Bridge Rehabilitation Items in the Bid Proposal. The excavation work associated with the retaining wall replacement shall consist of removing the damaged existing asphalt pavement at locations and depths as determined by the Engineer. The Contractor shall saw cut the pavement areas before removing to obtain a uniform edge. Payment for the excavation work associated with the retaining wall replacement shall be included in bid price per CY for Item 203 Excavation including Pavement Removal under Retaining Wall Replacement Items in the Bid Proposal.

Item 203 – Excavation, Flowline

Excavation shall extend through any materials which may be encountered along the flowline to create a level foundation for the reinforced concrete panels of the H-Pile Retaining Wall. All excavation work shall comply with Item 203 Excavation in the 2016 ODOT Construction and Materials Specifications. Payment for the work listed above shall be included in the Lump Sum bid price for Item 203 Excavation, Flowline.

Item 203 – Embankment

All embankment work associated with the retaining wall shall be as directed by the Engineer and shall comply with Item 203 Embankment in the 2016 ODOT Construction and Materials Specifications. This work shall consist of building the roadway shoulder between the edge of pavement and proposed retaining wall. Payment for this work shall be included in bid price per CY for Item 203 Embankment under Retaining Wall Replacement Items in the Bid Proposal.

Item 254 – Pavement Planing

This work shall conform to the 2016 Ohio Department of Transportation Construction and Material Specifications and shall be completed as directed by the Engineer. A butt joint shall be constructed at each start/stop locations. Each butt joint shall provide a smooth transition and shall also be properly sealed. The Contractor shall be responsible for removing and disposing of the cuttings. The cost of this work shall be paid for at the unit price bid per SY of Item 254 Pavement Planing.

Item 304 – Aggregate Base

All Item 304 Aggregate Base work associated with the retaining wall shall be as directed by the Engineer. Where areas of unsuitable subgrade materials are found, the unsuitable material shall be removed and Item 304 Aggregate Base shall be placed and compacted in the excavated areas. Item 304 may also be used for roadway shoulder material as directed by the Engineer. Item 304 Aggregate Base shall be compacted in compliance with section 304.05 of the ODOT Construction and Material Specifications. Payment for this work shall be included in the bid price per CY for Item 304 Aggregate Base under Retaining Wall Replacement Items in the Bid Proposal.

**SOCIALVILLE-FOSTERS ROAD BRIDGE #32-5.14 REHABILITATION AND
RETAINING WALL REPLACEMENT PROJECT
SPECIAL PROVISIONS/TECHNICAL SPECIFICATIONS**

Item 407 – Tack Coat

Item 407 Tack Coat shall be applied at a rate of 0.10 gallon per square yard as directed by the Engineer. The application of tack coat shall be applied to the entire width of the roadway immediately prior to paving the asphalt surface course. Payment for the work listed above shall be included in the bid price per Gallon for Item 407 Tack Coat.

Asphalt Concrete

All material furnished and work performed shall conform to the 2016 Ohio Department of Transportation Construction and Material Specifications (ODOT CMS) for Item 301 Asphalt Concrete Base, Item 441 Asphalt Concrete Intermediate Course, and Item 441 Asphalt Concrete Surface Course.

The Contractor shall supply the County Engineer with a weigh ticket for each load of material placed. Periodic asphalt samples will be obtained for test purposes and an independent testing laboratory will perform tests.

No material shall be placed upon collected water. Asphalt surfaces shall be clear of dirt and debris prior to the placing of each subsequent lift. The Contractor shall adhere to the judgment of the Warren County Engineer's designated representatives.

The Contractor's attention is directed to Section 401.14 of the ODOT Specifications and he is hereby instructed that requirements for preparation of asphalt pavement to be resurfaced will be adhered to, and cost of any and all cleaning is to be included in the unit price bid for Item 301 and Item 441.

Item 301 Asphalt Concrete Base associated with the retaining wall shall be placed on top of the subgrade in two-5 inch lifts in the excavated areas. Item 301 Asphalt Concrete Base shall be placed at locations determined by the Engineer.

Item 503 – Unclassified Excavation

The Contractor shall be responsible for all the labor and equipment necessary in excavating the roadway material behind the existing concrete abutments. Payment for the work listed above shall be included in the Lump Sum bid price for Item 503 Unclassified Excavation.

Item 510 – Dowel Holes with Nonshrink, Nonmetallic Grout

The Contractor shall complete forty five (45) dowel holes as detailed in the plans when connecting the proposed abutment to the existing concrete abutment. Payment for the work listed above shall be included in the bid price per Each for Item 510 Dowel Holes with Nonshrink, Nonmetallic Grout.

**SOCIALVILLE-FOSTERS ROAD BRIDGE #32-5.14 REHABILITATION AND
RETAINING WALL REPLACEMENT PROJECT
SPECIAL PROVISIONS/TECHNICAL SPECIFICATIONS**

Item 511 – Class QC 1 Concrete, Abutment

The Contractor shall be responsible for all the labor and material necessary in constructing the abutments as detailed in the plans. Concrete shall meet all requirements of Item 511 Concrete for Structures. Concrete shall be Class "QC 1" (28 day compressive strength = 4000 psi). The Contractor shall follow section 499.03 for concrete slump. Payment for the work listed above shall be included in the Lump Sum bid price for Item 511 Class QC 1 Concrete, Abutment.

Item 511 – Class QC 2 Concrete, Superstructure

The Contractor shall be responsible for all the labor and material necessary in constructing the concrete superstructure as detailed in the plans. An estimated quantity of 65 CY of Item 511 Class QC 2 Concrete has been included in the proposal. Concrete shall meet all requirements of Item 511 Concrete for Structures. Concrete shall be Class "QC 2" (28 day compressive strength = 4500 psi). A corrosion inhibitor admixture per ODOT Specification 515.15 shall be added to the concrete mix at the dosage recommended by the manufacturer. Contractor shall follow section 499.03 for concrete slump, section 511.14 for time duration of removing false work and opening to traffic, and section 511.17 for sawing grooves into the concrete deck. Payment for the work listed above including the expanded polystyrene filler shall be included in the bid price per CY for Item 511 Class QC 2 Concrete, Superstructure.

Item 511 – Class QC 1 Concrete, HP 12x53 Footing

The Contractor shall be responsible for all the labor and material necessary in constructing the footings as detailed in the plans. Concrete shall meet all requirements of Item 511 Concrete for Structures. Concrete shall be Class "QC 1" (28 day compressive strength = 4000 psi). The Contractor shall follow section 499.03 for concrete slump. Payment for the work listed above shall be included in the bid price per CY for Item 511 Class QC 1 Concrete, HP 12x53 Footing.

Concrete Placement:

The concrete placement operation shall be continuous from start to finish. The concrete for the bedrock socket shall be placed against the insitu bedrock and shall be placed promptly after the final inspection of the shaft. Care shall be taken to ensure that concrete is not being placed in moving water. The concrete can be placed in a dry drilled shaft excavation by the free fall method provided the concrete falls to its final position through air without striking the sides of the hole. The free fall method allows the concrete to be dropped from the top through a centering chute to the concrete's final position. If the engineer determines that dewatering is not practicable, the contractor will be given permission to place the concrete under water. To place concrete under water, the drilled shaft excavation shall be filled with water to such a depth that all water motion ceases. The concrete shall then be placed by means of a concrete pump. The concrete pump pipe shall have a diameter that is not less than 4 inches. The concrete pump equipment shall be so arranged that no vibrations result which might damage fresh concrete. The pumping equipment shall be suitable in kind and adequate in capacity for the work required.

**SOCIALVILLE-FOSTERS ROAD BRIDGE #32-5.14 REHABILITATION AND
RETAINING WALL REPLACEMENT PROJECT
SPECIAL PROVISIONS/TECHNICAL SPECIFICATIONS**

Item 512 - Sealing of Concrete Surfaces (Epoxy Urethane)

The Contractor shall seal portions of the concrete box beams and concrete bridge deck as detailed in the plans as well as all exposed portions of the concrete abutments with an epoxy urethane sealant after the concrete has cured. The sealing of concrete surfaces shall be in accordance with section 512.03. The Contractor shall take precautions to keep spillage and overspray from entering the stream. The color of the sealant shall be FED# 36492 (gray) or approved equal. Payment for the work listed above shall be included in the bid price per SY for Item 512 Sealing of Concrete Surfaces (Epoxy Urethane).

Item 512 – Treating of Concrete Bridge Deck with SRS

The Contractor shall treat the portion of the concrete bridge deck as detailed in the plans with a soluble reactive silicate sealer after the concrete has cured. The sealing of concrete surfaces shall be in accordance with section 512.05. The Contractor shall take precautions to keep spillage and overspray from entering the stream. The Contractor shall flush the concrete bridge deck with water after the application has had time to dry (see manufacture’s recommendation) prior to striping or opening to traffic. Payment for the work listed above shall be included in the price bid per SY for Item 512 Treating of Concrete Bridge Deck with SRS.

Item 515 – Prestressed Concrete Composite Box Beam Bridge Members, Level 1, CB21-48

The Contractor shall be responsible for all the equipment, materials, and labor necessary in setting the seven (7) – CB 21” x 48”, Prestressed Concrete Box Beam Members. The beams shall conform to the details in the plan set as well as meet the current specifications set forth in the “State of Ohio Department of Transportation Construction and Material Specifications” for Item 515 and Standard Drawings PSBD-2-07 (sheets 1-4) dated 7-20-18. Shop drawings shall be submitted to Roy Henson, Warren County Engineer’s Office, 210 W. Main Street, Lebanon, Ohio 45036 (Roy.Henson@co.warren.oh.us) for review and approval. Payment for the work listed above shall be included in the bid price per Each for Item 515 Prestressed Concrete Composite Box Beam Bridge Members, Level 1, CB21-48.

Item Special – Steel Drip Strip

The Contractor shall install steel drip strips on both sides of the bridge for the entire length per ODOT Standard Drawing DS-1-92. This work shall include the separate guardrail pieces. Payment for the work listed above shall be included in the bid price per FT for Item Special Steel Drip Strip.

Item 606 – Guardrail, Type 5

The Contractor shall install new guardrail where the existing guardrail associated with the retaining wall has been removed, tying into the existing guardrail as directed by the Engineer. This work shall conform to the Ohio Department of Transportation’s Plan Insert Sheet GR 2.1.

**SOCIALVILLE-FOSTERS ROAD BRIDGE #32-5.14 REHABILITATION AND
RETAINING WALL REPLACEMENT PROJECT
SPECIAL PROVISIONS/TECHNICAL SPECIFICATIONS**

Payment for this work listed above shall be included in the bid price per FT for Item 606 Guardrail, Type 5 under Retaining Wall Replacement Items in the Bid Proposal.

Item 611 - Pipe Culverts, Sewers, Drains, and Drainage Structures

All work associated with drainage items shall conform to the work as described in Item 611 Pipe Culverts, Sewers, Drains, and Drainage Structures, except as herein modified. The following items will not be required: Installation Plan, Construction Inspection Forms, Performance Inspections and Reports, and Conduit and Drainage Structure Evaluations.

This work shall consist of the construction or reconstruction of pipe culverts, sewers and drains hereinafter referred to as Type A, Type B, Type C, Type D, Type E and Type F Conduit. The work shall be in accordance with these specifications and in reasonably close conformity with the lines and grades shown on the plans or established by the Engineer. This work shall include the following: excavating for pipe and foundations for same, including clearing and grubbing and the removal of all materials necessary for placing the pipe except removals listed separately; furnishing and placing granular or concrete bedding and granular backfill as required; constructing and subsequently removing all necessary cofferdams, cribs and sheeting; pumping and dewatering; sealing or banding all pipe joints where required; furnishing and installing all necessary pipe bends and branches of a type at least equal to the conduit of which they become a part; joining to existing and proposed appurtenances as required; performing leakage tests as specified; restoration of disturbed facilities and surfaces; and providing erosion control pads and animal guards on underdrain and farm drain outlets.

Item 611 – 18” Conduit, Type A (707.65)

The Contractor shall be responsible for all the equipment, materials, and labor necessary in constructing an 18” conduit in close proximity of the existing culvert that is being removed. The conduit shall be 34 ft in length at a slope of 5.74%. The inlet shall be at approximately Station 6+38.5, 14 ft left with an inlet of 107.60 ft and the outlet shall be at approximately Station 6+39.5, 19.5 ft right with an outlet of 105.65 ft. The outlet of the conduit shall be cast into the top reinforced concrete panel located between S-23 and S-24. Payment for the work listed above shall be included in the bid price per FT for Item 611 18” Conduit, Type A (707.65).

Item 614 - Maintaining Traffic

Traffic control shall be the sole responsibility of the Contractor. The County of Warren shall be held harmless from liabilities caused by improper traffic control by the Contractor. The contractor shall indemnify Warren County from any and all liabilities due to improper maintenance of traffic. All road construction signs shall also be the responsibility of the Contractor. All traffic control shall conform to the Ohio Manual of Uniform Traffic Control Devices (OMUTCD) as well as the Ohio Department of Transportation Standards at all times.

**SOCIALVILLE-FOSTERS ROAD BRIDGE #32-5.14 REHABILITATION AND
RETAINING WALL REPLACEMENT PROJECT
SPECIAL PROVISIONS/TECHNICAL SPECIFICATIONS**

Any devices that are determined by the Engineer to be substandard shall be repaired to the satisfaction of the Engineer or shall be immediately removed from the site and replaced with acceptable devices. Any temporary traffic control devices that are determined by the Engineer to have become substandard during the course of the project shall be removed from the jobsite and immediately replaced by devices meeting the approval of the Engineer.

The Contractor shall provide and maintain all signs, barricades, labor, flagmen, steel plates, etc. for all work on this project. The Contractor shall notify the Warren County Engineer two (2) weeks prior to any road closure. The Contractor shall provide a minimum of two (2) Type III Barricades on each end of the closed section of the bridge. The barricades shall be chain linked together and fixed to the ground or some other object overnight. **A single lane access from 2014 Socialville-Fosters Road drive to Old 3C Highway, through the retaining wall replacement work area, shall be maintained at all times while both work areas are under construction.** The Contractor shall provide alternatives to garbage collection services and emergency rescue services for the resident within the work areas. Any conflicting markings shall be removed or covered in accordance with Item 614.

Two notice of road closure signs shall be erected by the Contractor two weeks in advance of the road closure. The signs shall be erected on the right hand side of the road facing traffic and shall be located in the field so as not to interfere with any permanent signs. The notice of closure signs shall be W20-H14-60 signs and shall state the following.....SOCIALVILLE-FOSTERS ROAD WILL BE CLOSED FOR 12 WEEKS STARTING (EXACT CLOSURE DATE).

Methods of maintaining traffic shall conform to the Manual of Uniform Traffic Control Devices and Item 614 of the ODOT Specifications. Payment for maintaining traffic associated with the bridge rehabilitation and road closure shall be included in the Lump Sum price bid for Item 614 Maintaining Traffic under Bridge Rehabilitation Items in the Bid Proposal. Payment for maintaining traffic associated with the single lane access through the retaining wall replacement area, above and beyond the road closure including additional signage and flagging, shall be included in the Lump Sum bid price for Item 614 Maintaining Traffic under Retaining Wall Replacement Items in the Bid Proposal.

Detour Route

The Socialville-Fosters Road closure detour route is detailed in the bridge rehabilitation plan set. Any changes shall be as directed by the Engineer. The payment for all work associated with the road closure and detour shall be included in the Lump Sum bid price for Item 614 Maintaining Traffic under Bridge Rehabilitation Items in the Bid Proposal.

Item 623 - Construction Layout Stakes and Surveying

All centerline of survey and property corner monumentation that is disturbed during construction shall be reset by a Professional Surveyor. Payment for the construction layout and work listed above shall be included in the Lump Sum bid price for Item 623 Construction Layout Stakes.

**SOCIALVILLE-FOSTERS ROAD BRIDGE #32-5.14 REHABILITATION AND
RETAINING WALL REPLACEMENT PROJECT
SPECIAL PROVISIONS/TECHNICAL SPECIFICATIONS**

Item 624 - Mobilization

Payment for the mobilization associated with the bridge rehabilitation shall be included in the Lump Sum bid price for Item 624 Mobilization under Bridge Rehabilitation Items in the Bid Proposal. Payment for the mobilization associated with the retaining wall replacement shall be included in the Lump Sum bid price for Item 624 Mobilization under Retaining Wall Replacement Items in the Bid Proposal.

Item 630 – Removal of Ground Mounted Sign and Reerection

The removal of ground mounted signs and reerection associated with the retaining wall shall include the cost of new No. 3 posts if the existing posts can not be reused as determined by the Engineer. At approximately Station 1+40 Right an existing Object Marker Sign shall be removed during the project and reerection near the same location at the completion of the project. At approximately Station 1+65 Right an existing Hidden Drive Sign shall be removed during the project and reerection near the same location at the completion of the project. Payment for the work listed above shall be included in the bid price per Each for Item 630 Removal of Ground Mounted Sign and Post and Reerection under Retaining Wall Replacement Items in the Bid Proposal.

Item 630 – Ohio Public Works Commission Standard Sign

The Contractor shall be responsible for all the labor and material necessary in constructing and installing an Ohio Public Works Commission Standard Sign as detailed in the following website: <http://www.pwc.state.oh.us/OPWCSignage.html>. Payment for all the work described above shall be included in the Lump Sum bid price for Item 630 Ohio Public Works Commission Standard Sign.

Pavement Marking

All pavement marking material and work shall comply with Item 641 Pavement Marking-General, Item 642 Traffic Paint, and Item 646 Epoxy Pavement Marking in the 2016 ODOT Construction and Materials Specifications.

Item 659 – Topsoil

All applications of topsoil shall be applied as directed by the Engineer. An estimated 18 CY has been included in the proposal. Payment for the application shall be included in the bid price per CY for Item 659 Topsoil. The contractor shall submit supporting documentation concerning the applications.

**SOCIALVILLE-FOSTERS ROAD BRIDGE #32-5.14 REHABILITATION AND
RETAINING WALL REPLACEMENT PROJECT
SPECIAL PROVISIONS/TECHNICAL SPECIFICATIONS**

Item 832 – Erosion Control

The Contractor shall furnish and install temporary sediment and erosion control best management practices required prior to any earth disturbing activity in accordance with Supplemental Specification 832. All pollution prevention measures must be maintained for the duration of construction. The Contractor shall remove all best management practices before the project is accepted. Payment for the erosion control work shall be included in the bid price per Each for Item 832 Erosion Control. This price is standard for all bidders, set at \$1.00 Each for a total of \$1,000.00.

Soil Boring Logs

The soil boring logs T-1 and T-2, taken by Terracon, are located at the end of the Technical Specifications as well as on sheet 4 of the Retaining Wall Replacement plan set. These two borings were taken recently for this retaining wall replacement project. The soil boring logs SB4, SB5, SB5A, SB6, and SB6A, taken by FMSM, are located at the end of the Technical Specifications. These five borings were taken in 2001 for a retaining wall replacement project just downstream of this wall.

Item Special – Drilling, 30” Diameter

Drilling shall extend through any materials which may be encountered, and shall penetrate a minimum depth of 8 feet, as detailed in the plans, into layered shale and/or limestone bedrock. Bottom elevation of shaft shall be determined by the Engineer. The shaft shall be plumb to the satisfaction of the Engineer. Temporary liners or casings shall be provided as needed to prevent caving or slipping of the shaft walls. Liners shall be withdrawn as the concrete is being placed, maintaining sufficient head of concrete within the liner to prevent the extraneous material from falling in from the sides of the shaft and mixing with the concrete. Drilling into the shale and limestone must be done with a core roller or other bit approved by the Engineer, so that the sides of the shaft will be left smooth and firm without disturbed seams of rock. **All drilling spoils shall be hauled off-site.** The drilled locations shall be per the Drilled Shaft Schedule Table and shall be spaced at 6’-3” center to center. Payment for the work listed above shall be included in the bid price per FT for Item Special Drilling, 30” Diameter.

Item Special – HP 12x53

The Contractor shall be responsible for all the equipment, materials, and labor necessary in constructing the H-Pile Wall in accordance with the plans and specifications. The Contractor shall place the piles in the bottom of the drilled shaft and cut them to match the proposed top of soldier pile elevation, as detailed in the construction plans. Each HP 12x53 shall be numbered from 1 to 29 in the field for identification purposes. The Contractor shall keep a log which includes the total length of each HP 12x53. A copy of the log shall be provided to the Engineer at the completion of the project. Measurement for the HP 12x53 will be the total number of

**SOCIALVILLE-FOSTERS ROAD BRIDGE #32-5.14 REHABILITATION AND
RETAINING WALL REPLACEMENT PROJECT
SPECIAL PROVISIONS/TECHNICAL SPECIFICATIONS**

linear feet from the bottom of drilled shaft to the top of the roadway grade. Payment for the work listed above shall be included in the bid price per FT for Item Special HP 12x53.

Item Special – Reinforced Concrete Panel

The Contractor shall be responsible for all equipment, materials, and labor necessary to cast and install reinforced concrete panels as detailed in the construction plans. All steel reinforcement shall meet the requirements of Item 509 Epoxy Coated Reinforcing. Minimum yield strength of the reinforcing steel shall be 60,000 psi. Reinforcing shall be securely and rigidly tied and accurately located so as to maintain the clearance shown in the plans. Payment for the reinforcing steel shall be included in the cost of the reinforced concrete panels. **One top panel located between S-23 and S-24 shall be cast in place around the outlet of the proposed 18” conduit.** The reinforcing steel locations and lengths for this panel shall be adjusted to allow for the conduit. Prior to formwork and concrete placement, the Engineer must approve reinforcement locations, lengths, and clearances. Payment for the work listed above shall be included in the bid price per SF for Item Special Reinforced Concrete Panel.

Item Special – Concrete Toe Wall

The Contractor shall be responsible for all the equipment, materials, and labor necessary in constructing the concrete toe wall as detailed in the construction plans. The Contractor shall form and pour the concrete toe wall with a minimum height of 1’-6”. Dowel rods shall be anchored a minimum of 1 ft into the stream bed or sound material and shall be spaced at 2 ft center to center. A concrete toe wall shall be constructed in front of the proposed H-Pile Wall for approximately 181 ft. A concrete toe wall shall also be constructed in front of the two existing H-Pile Walls to the southeast for approximately 100 ft. Payment for the work listed above shall be included in the bid price per FT for Item Special Concrete Toe Wall.

Item Special – Existing Stone Wall Repair with Guniting (Alternate)

The Contractor shall furnish and apply shotcrete to the existing stone walls located in front of the concrete stub abutments down to Simpson’s Creek flowline. The Contractor shall clean and prep the stone walls, heavy debris shall be removed and placed along the stream bed. The stone walls shall be water blasted to remove all remaining dirt and debris. A 2”x2” – 12 gauge galvanized welded wire mesh shall be attached to the stone walls with self-tapping screws, located on 24 inch centers each way, prior to placing 2 inches of 8,000 psi (28 days) shotcrete. The wire mesh shall be tied to the anchors with 16 gauge annealed tie wire. The freshly placed shotcrete shall be broomed and allowed to naturally cure. The Contractor shall take precautions to keep overspray from entering the stream. All rebound material shall be cleaned up on a daily basis and all debris created as the result of this operation shall be removed and disposed of properly. The walls on one side of the stream are approximately 68 ft long and 14 ft tall with 3 ledges. The ledges average about 3 ft in width and are between 20 to 50 ft in length. The walls on the other side are approximately 55 ft long and 14 ft tall with a single ledge that is 3 ft wide and 30 ft long. It is estimated that 2,200 SF of stone wall faces and ledges will be structurally lined with shotcrete.

**SOCIALVILLE-FOSTERS ROAD BRIDGE #32-5.14 REHABILITATION AND
RETAINING WALL REPLACEMENT PROJECT
SPECIAL PROVISIONS/TECHNICAL SPECIFICATIONS**

Payment for the gunite work listed above and any scaffolding and safety equipment necessary for this work shall be included in the Lump Sum bid price for Item Special Existing Stone Wall Repair with Gunite (Alternate).

All gunite/shotcrete work shall be completed in strict accordance with the American Concrete Institute's 506 R95 Guide to Shotcrete. The shotcrete mix will be comprised of 1 CF of portland cement type I-II cement mixed thoroughly with 3 CF of ASTM C-33 concrete sand and enhanced with 7 pounds of micro-silica. The dry ingredients shall be pneumatically projected through the shotcrete hose and hydrated with 4.5 gallons of potable water at the nozzle.

National Gunite Contact Information

Tim Martin – National Gunite Midwest Regional Director
111 Roosevelt Boulevard
Johnstown, PA 15906
tmartin@nationalgunite.com
847-533-5780 (Office)
317-749-6007 (Cell)

SPECIFICATIONS FOR GUNITE LINING

PART I GENERAL

1.01 RELATED DOCUMENTS

- A. The Bid and General Provisions of the Contract Documents, including General and Supplementary Conditions and General Requirements, apply to the work specified in this Section.

1.02 DESCRIPTION OF WORK

- A. This work consists of the furnishing of all labor, material and equipment required to apply a gunite lining to the existing materials (brick, block, concrete, corrugated steel/brick, invert, etc.) as described in the Technical Specification note and in accordance with these Specifications. The gunite consists of a sulfate-resisting cementitious gunite material containing silica fume.

PART 2 PRODUCTS

2.01 GUNITE MATERIALS

- A. Cement- Portland cement shall conform to ASTM C 1450, Type I-II.

**SOCIALVILLE-FOSTERS ROAD BRIDGE #32-5.14 REHABILITATION AND
RETAINING WALL REPLACEMENT PROJECT
SPECIAL PROVISIONS/TECHNICAL SPECIFICATIONS**

B. Silica Fume shall conform to ASTM C1 240.

C. Aggregate- Normal weight aggregates conforming to ASTM C 33, with the combined gradation of coarse and fine aggregates conforming to the following:

Passing 3/8 inch Sieve	100 Percent
Passing No. 4 Sieve	95-100 Percent
Passing No. 8 Sieve	80-100 Percent
Passing No. 16 Sieve	50-85 Percent
Passing No. 30 Sieve	25-60 Percent
Passing No. 50 Sieve	10-30 Percent
Passing No. 100 Sieve	2- 10 Percent

D. Water - Potable water for mixing

E. Acceptable Guniting Mixes

1. Available products: Subject to compliance with the requirements, products that may be incorporated into the work include, but are not limited to, the following:

- a. Bulk guniting ingredients mixed on-site meeting the requirements of the specifications subject to the approval of the Engineer or Owner.
- b. King Shotcrete Solutions MS-D1
With or without Synthetic Fibers or Admixtures
- c. Quikcrete Shotcrete MS
Quikcrete Shotcrete MS – Polyfiber Reinforced
- d. SikaCrete- Guniting-103 Dry Process, machine applied silica fume enhanced cementitious mortar.

2. Admixtures- Admixtures containing calcium chloride or triethanolamine shall not be used. Admixtures used in combination shall be physically and chemically compatible and shall be so certified by the manufacturer. The admixture manufacturer shall provide assistance and advice of the proper use of the admixture. This service shall be provided at no increase in Contract Price.

**SOCIALVILLE-FOSTERS ROAD BRIDGE #32-5.14 REHABILITATION AND
RETAINING WALL REPLACEMENT PROJECT
SPECIAL PROVISIONS/TECHNICAL SPECIFICATIONS**

1. Air-entraining admixtures shall conform to ASTM C 260
2. Chemical admixtures shall conform to ASTM C 494
3. Welded Wire Reinforcement – The reinforcement shall be with 2"x2" 12/12 (3" x3" 10/10 alternate) welded smooth wire fabric, galvanized, in conformance with ASTM A185, "Specifications for Welded Steel Wire Fabric for Concrete Reinforcement". The fabric shall be supported by one-fourth inch hook bolts, self tapping screws, or other approved type fasteners set into the stone wall on not more than twenty-four inch centers. Steel, 16-gauge tie wire shall be used to secure the fabric at laps and supports.

2.02 **MIX PROPORTIONS**

A. General – Proportions of Guniting ingredients shall be selected by the testing laboratory by trial mixes to produce 28-day compressive strength (ASTM C-42) of moist-cured laboratory samples of 8,000 psi unless otherwise specified, and 1,200 psi flexural strength (ASTM C-78) both values for the dry process of application. Bid prices shall include all costs of determining the mix proportions by testing laboratory.

B. Batching and Mixing

1. Mixing proportions shall be controlled by weight batching, or by volume batching meeting the requirements of ASTM C 685. If permitted, other volume batching procedures shall be used provided a minimum of one weight batching check is made every four hours for control purposes, to ensure that the specified mixture design is being achieved.
2. Use batching and mixing equipment capable of proportioning and mixing all ingredients (except water in the case of dry-mix equipment) at a rate that will provide adequate production and with an accuracy that will ensure uniformity of batches. Weighing equipment shall be capable of batching with an accuracy specified in ASTM C94. Volumetric equipment shall be capable of batching with the accuracy specified in ASTM C685.

2.03 **QUALITY ASSURANCE**

A. Unless otherwise specified or shown, the work of this section shall conform to ACI 506.2 Specifications for Materials, Proportioning, and Application of guniting where applicable.

**SOCIALVILLE-FOSTERS ROAD BRIDGE #32-5.14 REHABILITATION AND
RETAINING WALL REPLACEMENT PROJECT
SPECIAL PROVISIONS/TECHNICAL SPECIFICATIONS**

A copy of the qualifications shall be submitted to the Owner and Engineer for their review and approval with the submittal of the bid.

1. Foreman Qualifications - Foreman of the gunning crew shall have at least twenty years of gunite experience including ten (10) years as a gunite nozzleman.
2. Nozzleman Qualifications and Duties - The nozzleman must be a Certified Nozzleman by the American Shotcrete Association (ASA)
3. Contractor Qualifications -The Contractor and/or Subcontractor performing the work must certify that he/she has not less than five (5) years of experience in the application of gunite in rehabilitation projects. The Contractor shall also submit a record of experience and/or references with project name and contact information with his bid indicating 20 projects completed in the last year so that the Owner and Engineer can verify the quality of the work.
4. Testing Agency Qualifications -The Contractor shall provide the service of a testing laboratory meeting the requirements of ASTM E329. The laboratory shall be normally engaged in testing of concrete materials and concrete. The materials testing laboratory shall make all tests to ensure that the gunite materials and gunite provided meet or exceed all requirements specified. The materials testing laboratory shall be acceptable to the Engineer and the Owner.

2.04 SUBMITTALS

A. Testing Results - Copies of the mix proportions and compressive strength test results shall be submitted to the Engineer and the Owner two weeks prior to the start of the gunite being used on site.

PART 3 EXECUTION

3.01 DELIVERY AND STORAGE OF MATERIAL/EQUIPMENT

- A. Cement shall be stored in weather-tight enclosures and protected against dampness, contamination, and warehouse set.
- B. Aggregate

**SOCIALVILLE-FOSTERS ROAD BRIDGE #32-5.14 REHABILITATION AND
RETAINING WALL REPLACEMENT PROJECT
SPECIAL PROVISIONS/TECHNICAL SPECIFICATIONS**

1. Stockpile to prevent segregation or contamination with other materials or other sizes of aggregates.
2. Use only one supply source for each aggregate stockpile.

C. Admixtures

1. Store to prevent contamination, evaporation, deterioration and damage to packaging or containers.
2. Protect liquid admixture from freezing and from harmful temperature ranges.
3. Agitate emulsions prior to use.

- D. Welded Wire Reinforcement shall be kept off the ground during storage and shall be kept free of mud, oil or non-metallic coatings that adversely affect bonding capacity.

3.02 PRE-INSTALLATION

- A. Flow Control - During the gunite lining operations, it will be necessary to dewater sections of the bridge in which gunite is being applied and cured. This may be accomplished by (a) fluming across the sections; (b) pumping around the sections above grade to a downstream manhole or to another sewer with suitable capacity; other method subject to the approval of the Owner and Engineer. When bypass pumping is required, the Contractor shall supply the necessary pumps, conduits and other equipment and facilities to dewater the section in which gunite lining is constructed. The bypass system shall be of sufficient capacity to handle existing flows plus additional flow that may occur during a rainstorm. Absolutely no bypassing of sanitary sewer flows into local streams and rivers is permitted. The Contractor shall be responsible for furnishing the necessary labor and supervision to set up and operate the dewatering system. If pumping is required on a 24 hour basis, all engines shall be equipped in a manner to keep pump noise at a minimum. Precautions shall be taken to ensure that flow control and dewatering operations do not cause flooding or damage to public or private properties being served by the sewers involved. When flow in a sewer line is plugged, blocked, or bypassed; sufficient precautions must be taken to protect the sewer lines from damage that might result from sewer surcharging. Under no circumstances will the dumping of raw sewage onto private property or onto city streets, streams, storm sewer, streams, etc. be allowed. At the end of each working day, a temporary tie-in may be made between the relined section and the

**SOCIALVILLE-FOSTERS ROAD BRIDGE #32-5.14 REHABILITATION AND
RETAINING WALL REPLACEMENT PROJECT
SPECIAL PROVISIONS/TECHNICAL SPECIFICATIONS**

existing system and the by-pass plug removed. All work materials, pumping and flume piping shall be removed from the bridge at the end of a day's work.

- B. Cleaning of Work Surface - All unsound or loose material shall be removed manually before applying gunite. The Contractor shall trim each area to be repaired to remove offsets which could cause an abrupt change in thickness without suitable reinforcement or thickness of gunite. Edges shall be tapered to leave no square shoulders at the perimeter of the cavity. After the trimming operation is completed, the entire surface shall be thoroughly cleaned as directed with an approved high pressure water blast in order to remove all dirt, grease, and loose particles that would inhibit bonding between the existing stone, mortar joints and gunite. The minimum water pressure shall be 3000 psi. Adjust the pressure to avoid dislocating sound mortar and stone from the wall. This item is incidental to the wall liner installation.
- C. Filling Holes and Earth Cavities - Holes extending beyond the outside of the work area and the surrounding earth shall be filled with concrete, pressure grout, or gunite to the plane of the outside of the wall, and any holes in the wall shall be built up with gunite. Class A Concrete shall be used and forms are to be utilized, if necessary.
- D. Damage to Existing Structure - The Contractor shall be responsible for the repair of any damage to the existing structure resulting from this operation at no additional cost to the Owner.

3.03 INSTALLATION

- A. Welded Wire Fabric - Galvanized Wire Fabric shall be placed in the center of the gunite lining thickness and not less than 3/4" from the prepared surface nor less than 3/4" from the finished inside surface of the wall lining. The wire fabric shall be rolled into cylinders and placed circumferentially on the hook bolts or Hilti support anchors. End and side laps of the fabric are to be not less than three inches, securely tied with 16-gauge wire, and the entire mat firmly secured in a rigid position to withstand impact of the gunite application without displacement. Placement of wire fabric shall be inspected and approved by the Owner and Engineer before the start of the gunite application.
- B. Placement of gunite - The dry method is only to be utilized for concrete placement. Gunite shall be placed using suitable delivery equipment and procedures that will result in the dry mixed gunite being in compliance with all requirements in the Specifications.
 - 1. Placement Techniques

**SOCIALVILLE-FOSTERS ROAD BRIDGE #32-5.14 REHABILITATION AND
RETAINING WALL REPLACEMENT PROJECT
SPECIAL PROVISIONS/TECHNICAL SPECIFICATIONS**

- a. Control thickness, method of support, air pressure, and/or water content of gunite to preclude sagging or sloughing off.
 - b. Dampen absorptive substrate surfaces prior to placement of gunite to facilitate bond and to reduce the possibility of shrinking or cracking developing from premature loss of the mixing water.
 - c. Broom or scarify the surface or freshly-place gunite to which, after hardening, additional layers of gunite will be applied. Dampen surface just prior to application of each succeeding layer.
 - d. First, fill with sound material all corners and each area where rebound cannot escape or be below free.
 - e. Provide a supply of clean, dry air adequate for maintaining sufficient nozzle velocity for all parts of the work and, if required, for simultaneous operation of a suitable blow pipe for cleaning away rebound.
2. Placement All-Around Reinforcement.
- a. Hold the Nozzle at appropriate distance and angle to place material behind reinforcement before material is allowed to accumulate on its face. Additional water may be added to the mix when encasing reinforcement to facilitate a smooth flow of material behind the bars.
 - b. Do not place gunite through more than one layer of reinforcing steel rods or mesh in one application unless demonstrated by preconstruction tests that steel will be properly encased.
3. Cover of Reinforcement - Place gunite to provide the following minimum cover over reinforcement.
- a. For gunite used as lining or coatings: $\frac{3}{4}$ " for fine aggregate gunite and $1\frac{1}{2}$ " for coarse aggregate gunite.
4. Line and Thickness Control -The Contractor shall use adequate ground wires or other accepted means to establish the thickness, surface planes and finish lines of

**SOCIALVILLE-FOSTERS ROAD BRIDGE #32-5.14 REHABILITATION AND
RETAINING WALL REPLACEMENT PROJECT
SPECIAL PROVISIONS/TECHNICAL SPECIFICATIONS**

the concrete.

5. Placement Precautions
 - a. Guniting shall not be placed if drying or stiffening of the mix takes place at any time prior to delivery to the nozzle. Do not use rebound or previously expended material in the guniting mix.
 - b. Retempering shall not be permitted. Mixed material unused for more than 45 minutes after the addition of the initial mixing water shall be discarded.
 - c. All overspray and rebound shall be removed prior to the final set and before the placement of the guniting material on surfaces adjacent to areas of prior application.
- C. Repair of Surface Defects - The Contractor shall remove and replace guniting which lacks uniformity, exhibits segregation, honeycombing, or lamination, or which contains dry patches, voids or sand pockets.
- D. Finishing - Unless otherwise designated on the drawings, the Contractor shall provide a brush finish for dry methods
- E. Construction Joints - Taper construction joints to a shallow edge form, about one inch (1") thick. The entire joint shall be thoroughly cleaned and wetted prior to the application of additional guniting. Make joints perpendicular to the main reinforcement. Continue reinforcement across joints.

3.4 TESTING

- A. Procedures - The following testing services shall be performed by the testing laboratory provided by the Contractor at no increase in contract price.
 1. Review and test the Contractor's proposed materials for compliance with the specifications.
 2. Review and test the Contractor's proposed mix design.
 3. Secure production samples of materials at plants or stock piles during the course of the work and test for compliance with the specifications.
 4. Conduct strength tests of concrete during construction in accordance with the following procedures.

**SOCIALVILLE-FOSTERS ROAD BRIDGE #32-5.14 REHABILITATION AND
RETAINING WALL REPLACEMENT PROJECT
SPECIAL PROVISIONS/TECHNICAL SPECIFICATIONS**

- a. Make one test panel with a minimum dimension of 18" x 18" x 3", gunned in the same position as the work represented, for every 50 cubic yards of gunite placed. Panels shall be gunned during the course of the work by the Contractor's regular nozzleman. Field-cure panels in the same manner as the work, except that the test specimens shall be soaked in water for a minimum of 40 hours prior to testing. The designated testing agency shall cut three-inch diameter cores or three-inch cubes from each panel for testing.
 - b. When the length of a core is less than twice the diameter, apply the correction factors given in ASTM C 42 to obtain the compressive strength of individual cores.
 - c. The average compressive strength of three cores taken from the structure or test panel representing 50 cubic yards of gunite shall equal fc' . The average of three cubes taken from a panel representing a shift or 50 cubic yards of gunite shall equal or exceed fc' with no individual cube less than $0.88 fc'$.
 - d. Final acceptance of the gunite will be based on results obtained from the core. Use of data obtained from impact hammers, ultrasonic equipment, or other nondestructive testing devices will not be permitted for final acceptance of gunite; however, these data may be useful for determining uniformity of the gunite.
- B. Strength Level - The strength level of the gunite will be considered satisfactory when the averages of all strength tests results equal or exceed the specified strength, and no individual strength test result falls below the specified strength fc' by more than 500 psi.
- C. Defect Assessment - Contractor shall replace the Work, or portions of the Work, not conforming to specified requirements at no additional cost to the Owner. If, in the opinion of the Owner or Engineer, it is not practical to remove and replace the Work, the Engineer or Owner will specify one of the following remedies:
1. The defective Work may remain, but the unit sum/price will be adjusted to a new sum/price at the discretion of the Owner or Engineer.
 2. The defective Work will be partially repaired to the instructions of the Owner or Engineer, and the unit sum/price will be adjusted to a new sum/price at the

**SOCIALVILLE-FOSTERS ROAD BRIDGE #32-5.14 REHABILITATION AND
RETAINING WALL REPLACEMENT PROJECT
SPECIAL PROVISIONS/TECHNICAL SPECIFICATIONS**

discretion of the Owner or Engineer.

The authority of the Engineer and/or Owner to assess the defect and identify payment adjustment is final.

3.5 VIDEO TAPING

- A. Prior to and after the gunite lining has been completed a video of the work area(s) are to be videoed and submitted to the Engineer for review and approval. Following rehabilitation, the video tapes of the rehabilitated section(s) shall be provided to the Owner and Engineer for review. Payment for rehabilitation shall only be made where final tapes have been submitted to the Owner and Engineer.

3.6 CLEANUP

- A. At the completion of the work, the Contractor shall clean and remove all rebound, unused material and rubbish from the site. The work area shall be in a condition satisfactory to the Owner and Engineer whose property was affected by the work.

BORING LOG NO. T-1

PROJECT: Socialville-Foster Road Retaining Wall

CLIENT: Warren County OH
Lebanon, OH

SITE: Socialville-Foster Road
Deerfield, OH

THIS BORING LOG IS NOT VALID IF SEPARATED FROM ORIGINAL REPORT. GEO SMART LOG-NO WELL. N1185074 SOCIALVILLE-FOSTE.GPJ TERRACON_DATATEMPLATE.GDT 11/12/18

GRAPHIC LOG	LOCATION See Exploration Plan Latitude: 39.3208° Longitude: -84.2549° Approximate Surface Elev: 107 (Ft.) +/-	DEPTH (Ft.)	WATER LEVEL OBSERVATIONS	SAMPLE TYPE	RECOVERY (%)	FIELD TEST RESULTS	RQD %	LABORATORY HP (tsf)	UNCONFINED COMPRESSIVE STRENGTH (tsf)	WATER CONTENT (%)	DRY UNIT WEIGHT (pcf)	ATTERBERG LIMITS
												LL-PL-PI
DEPTH		ELEVATION (Ft.)										
1.1	ASPHALT (13 INCHES)	106+/-										
2.0	AGGREGATE BASE (9 INCHES)	105+/-										
8.5	FILL - LEAN CLAY (CL) , with sand, gravel, cinders, dark brown	98.5+/-	▽		83	4-8-4 N=12		2.75 (HP)		11		27-16-11
11.0	LEAN CLAY (CL) , with limestone fragments, brown and gray, soft	96+/-			11	2-2-3 N=5		1.5 (HP)		25		
15.0	SHALE , laminated, highly weathered, weak, brown and gray	92+/-			53	5-7-7 N=14				21		
18.5	INTERBEDDED SHALE AND LIMESTONE , 30% Limestone: light gray, moderately weathered, strong (1" - 4" thick) 70% Shale: gray, highly weathered, laminated, weak (1"-5" thick)	88.5+/-			61	5-9-10 N=19	25			18		
	Boring Terminated at 18.5 Feet				100	17-50/5"						

Stratification lines are approximate. In-situ, the transition may be gradual.

Hammer Type: Automatic

Advancement Method:
Hollow Stem Auger

See [Exploration and Testing Procedures](#) for a description of field and laboratory procedures used and additional data (If any).

Notes:

Abandonment Method:
Boring backfilled with auger cuttings upon completion.

See [Supporting Information](#) for explanation of symbols and abbreviations.

WATER LEVEL OBSERVATIONS

No water observed during drilling
 Water observed at 7.5' after drilling



Boring Started: 05-14-2018

Boring Completed: 05-14-2018

Drill Rig: D-50

Driller: R. Mann

Project No.: N1185074

BORING LOG NO. T-2

PROJECT: Socialville-Foster Road Retaining Wall

CLIENT: Warren County OH
Lebanon, OH

SITE: Socialville-Foster Road
Deerfield, OH

THIS BORING LOG IS NOT VALID IF SEPARATED FROM ORIGINAL REPORT. GEO SMART LOG-NO WELL. N1185074 SOCIALVILLE-FOSTE.GPJ TERRACON_DATATEMPLATE.GDT 11/12/18

GRAPHIC LOG	LOCATION See Exploration Plan Latitude: 39.321° Longitude: -84.2551° Approximate Surface Elev: 109 (Ft.) +/-	DEPTH (Ft.)	WATER LEVEL OBSERVATIONS	SAMPLE TYPE	RECOVERY (%)	FIELD TEST RESULTS	RQD %	LABORATORY HP (tsf)	UNCONFINED COMPRESSIVE STRENGTH (tsf)	WATER CONTENT (%)	DRY UNIT WEIGHT (pcf)	ATTERBERG LIMITS
												LL-PL-PI
DEPTH	ELEVATION (Ft.)											
1.0	ASPHALT (12 INCHES)	108+/-										
1.9	AGGREGATE BASE (11 INCHES)	107+/-										
8.5	FILL - LEAN CLAY (CL) , with sand and gravel, dark brown	100.5+/-	▽	X	50	2-3-7 N=10		>4		19		
11.0	LEAN CLAY (CL) , with limestone fragments, brown and gray, soft	98+/-		X	33	3-3-5 N=8		3.5 (HP)		21		
15.0	SHALE , laminated, highly weathered, weak, brown and gray	94+/-		X	61	2-3-17 N=20		2.5 (HP)		26		
20.0	INTERBEDDED SHALE AND LIMESTONE , 30% Limestone: light gray, moderately weathered, strong (1" - 4" thick) 70% Shale: gray, highly weathered, laminated, weak (1"-5" thick)	89+/-		X	67	3-6-11 N=17		1.5 (HP)		28		
20.0	SHALE , laminated, highly weathered, weak, brown and gray	89+/-		X	27	6-10-38 N=48		<0.25		16		
20.0	INTERBEDDED SHALE AND LIMESTONE , 30% Limestone: light gray, moderately weathered, strong (1" - 4" thick) 70% Shale: gray, highly weathered, laminated, weak (1"-5" thick)	89+/-		X	100	51-36-50/4"						
20.0	Boring Terminated at 20 Feet	89+/-		X	81		61	0.00		6	153	

Stratification lines are approximate. In-situ, the transition may be gradual.

Hammer Type: Automatic

Advancement Method:
Hollow Stem Auger

See [Exploration and Testing Procedures](#) for a description of field and laboratory procedures used and additional data (If any).

Notes:

Abandonment Method:
Boring backfilled with auger cuttings upon completion.

See [Supporting Information](#) for explanation of symbols and abbreviations.

WATER LEVEL OBSERVATIONS

No water observed during drilling
▽ Water observed at 4.5' after drilling



Boring Started: 05-14-2018

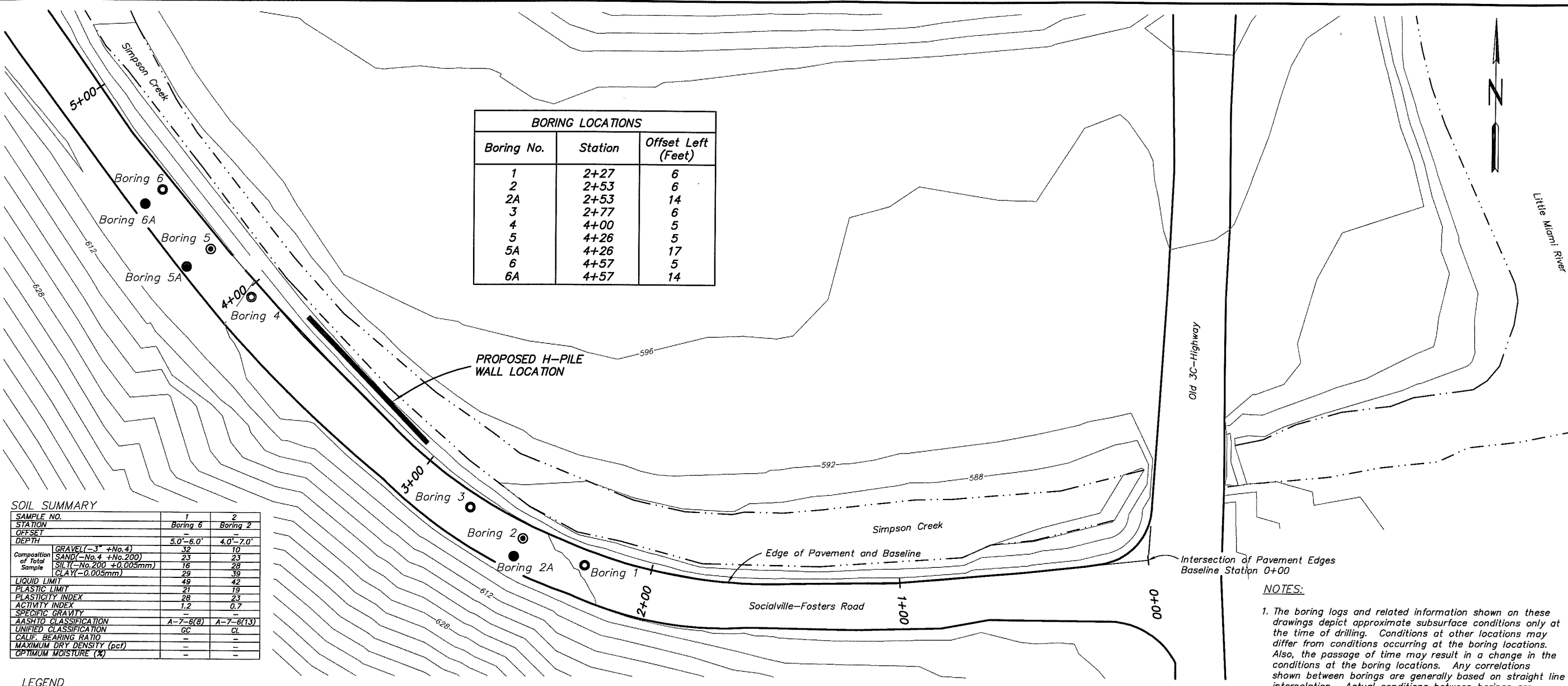
Boring Completed: 05-14-2018

Drill Rig: D-50

Driller: R. Mann

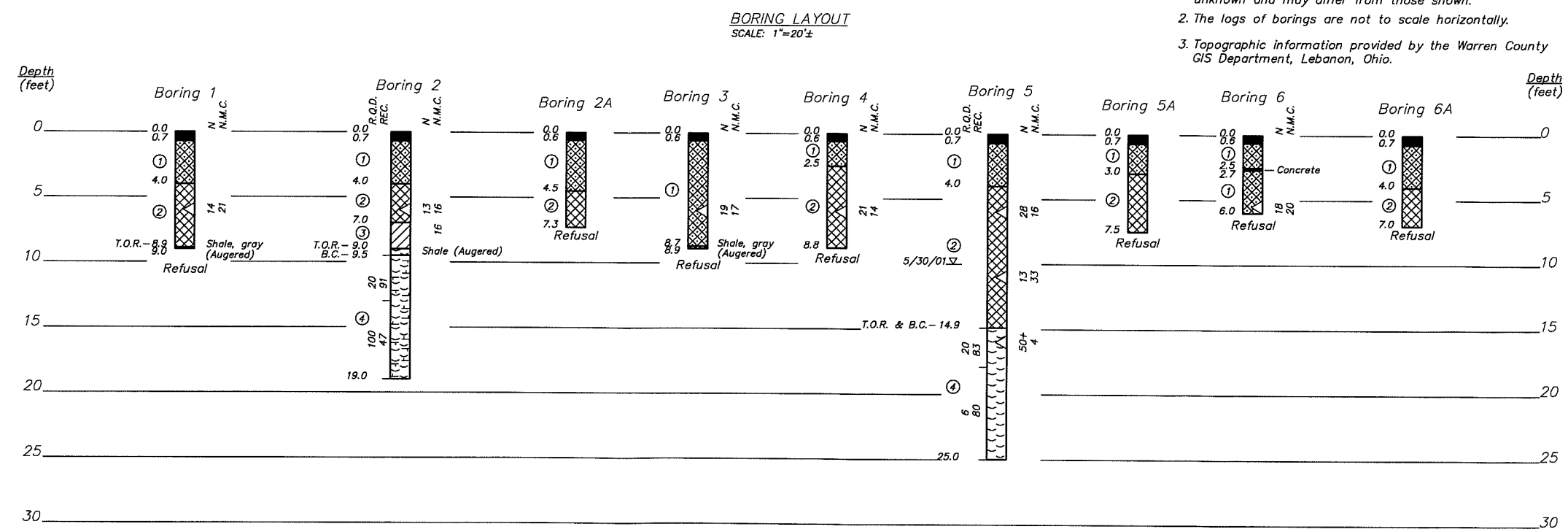
Project No.: N1185074

BORING LOCATIONS		
Boring No.	Station	Offset Left (Feet)
1	2+27	6
2	2+53	6
2A	2+53	14
3	2+77	6
4	4+00	5
5	4+26	5
5A	4+26	17
6	4+57	5
6A	4+57	14



SOIL SUMMARY		
SAMPLE NO.	1	2
STATION	Boring 6	Boring 2
OFFSET		
DEPTH	5.0'-6.0'	4.0'-7.0'
GRAVEL (-3" +No.4)	32	10
SAND (-No.4 +No.200)	23	23
SILT (-No.200 +0.005mm)	16	28
CLAY (-0.005mm)	29	39
LIQUID LIMIT	49	42
PLASTIC LIMIT	21	19
PLASTICITY INDEX	28	23
ACTIVITY INDEX	1.2	0.7
SPECIFIC GRAVITY		
AASHTO CLASSIFICATION	A-7-6(8)	A-7-6(13)
UNIFIED CLASSIFICATION	GC	CL
CALIF. BEARING RATIO		
MAXIMUM DRY DENSITY (pcf)		
OPTIMUM MOISTURE (%)		

- LEGEND**
- Soil Boring
 - ⊙ Soil Boring With Standard Penetration Tests
 - ⊕ Soil Boring With Standard Penetration Tests And Rock Core
 - Asphalt Pavement
 - ① Fill; Clayey Gravel With Sand, brown, moist, loose to medium dense
 - ② Fill; Sandy Lean Clay, brownish gray, moist, stiff to very stiff
 - ③ Silty Lean Clay, brown, moist, stiff (Visual)
 - ④ Shale (85%) With Interbedded Limestone (15%)
Shale is gray, silty, laminated, calcareous, moderately hard
Limestone is light gray, fossiliferous, thin bedded, hard
 - ∇ Standard Penetration Test Interval
 - N Penetration Resistance (Blows/foot)
 - N.M.C. Natural Moisture Content (%)
 - R.Q.D. Rock Quality Designation (%)
 - Rec. Rock Core Recovery (%)
 - T.O.R. Top of Rock
 - B.C. Begin Core
 - 5/30/01 ∇ Water Level Immediately After Drilling and date
 - Refusal Auger Refusal Using A Carbide-Tipped Tooth Bit Auger



BORING LAYOUT
SCALE: 1"=20'±

LOGS OF BORINGS
SCALE: 1"=5' (VERT. ONLY)

- NOTES:**
- The boring logs and related information shown on these drawings depict approximate subsurface conditions only at the time of drilling. Conditions at other locations may differ from conditions occurring at the boring locations. Also, the passage of time may result in a change in the conditions at the boring locations. Any correlations shown between borings are generally based on straight line interpolation. Actual conditions between borings are unknown and may differ from those shown.
 - The logs of borings are not to scale horizontally.
 - Topographic information provided by the Warren County GIS Department, Lebanon, Ohio.

OPWC PROPOSAL NOTES – For insertion into Bid Documents (Rev 6/16)

1. STEEL PRODUCTS MADE IN THE UNITED STATES

Domestic steel use requirements as specified in Ohio Revised Code §153.011 apply to this project. Copies of §153.011 can be obtained from any of the offices of the department of administrative services or through <http://codes.ohio.gov/orc/153.011>.

2. PREVAILING WAGES ON STATE PROJECTS WITH NO FEDERAL-AID (Should this project contain Federal-aid funds then Federal Prevailing Wages must be paid. Contact the appropriate Federal funding agency for language.)

This contract is subject to Ohio Prevailing Wage Laws, Chapter 4115 of the Ohio Revised Code and the Contractor and all subcontractors shall comply with all provisions contained therein or as otherwise provided by this note. The Contractor guarantees that the prevailing wage scale to be paid to all laborers and mechanics employed on this contract shall be in accordance with the schedule of the prevailing hourly wage and fringe benefits as determined by the Ohio Department of Commerce for the county in which the work is being performed. The failure to pay prevailing wages to all laborers and mechanics employed on this project shall be considered a breach of contract. Such a failure may result in the revocation of the contractor's and/or subcontractor's certificate of qualification and debarment. A schedule of the most current prevailing wage rates may be accessed by logging in/registering with the Ohio Department of Commerce, Labor and Worker Safety Division, Wage and Hour Bureau at the following web address:

<http://198.234.41.198/w3/webwh.nsf/wrlogin/?openform>

The Contractor and all subcontractors shall compensate the employees on this contract at a pay rate not less than the hourly wage and fringe rate listed on the website noted above, for the applicable job classification or as may be modified by the Ohio Department of Commerce, Division of Labor and Worker Safety Wage and Hour Bureau, when new prevailing rates are established.

Overtime shall be paid at one and one-half times the basic hourly rate for any hours worked beyond forty hours during a pay week. The Contractor and all subcontractors shall pay all compensation by company check to the worker and fringe benefit program.

The wage and fringe rates determined for this project or as may be later modified, shall be posted by the Contractor in a prominent and accessible place on the project, field office, or equipment yard where they can be easily read by the workers or otherwise made available to the workers. On the first pay date of contract work the Contractor and all subcontractors shall furnish each employee covered by prevailing wage a completed form (WHPW-1512) in accordance with section 4115.05 of the Ohio Revised Code, showing the classification, hourly pay rate, and fringes, and identifying the public authority's Prevailing Wage Coordinator, if such employees are not covered by a collective bargaining agreement or understanding between employers and bona fide organizations of labor. These forms shall be signed by the Contractor or subcontractor and the employee and kept in the Contractor's or subcontractor's payroll files.

The Contractor and all subcontractors shall submit to the Prevailing Wage Coordinator, certified payrolls on form WHPW-1512 or equivalent, in accordance with sections 4115.07 and 4115.071 (C) of the Ohio Revised Code, three weeks after the start of work and every subsequent week until the completion of the contract. Additionally, a copy of the "Apprentice Certification" obtained from the Ohio State Apprenticeship Council, must accompany all certified payrolls submitted, for all apprentices working on this project. Upon completion of the contract and before the final payment, the Contractor shall submit to the Prevailing Wage Coordinator a final wage affidavit in accordance with section 4115.07 of the Ohio Revised Code stating that wages have been paid in conformance with the minimum rates set forth in the contract. Please be aware that it is ultimately the responsibility of the Contractor to ensure that all laws relating to prevailing wages in Chapter 4115 of the Ohio Revised Code are strictly adhered to by all subcontractors.

The Contractor and all subcontractors shall make all of its payroll records available for inspection, copying

or transcription by any authorized representative of the contracting agency. Additionally, the Contractor and all subcontractors shall permit such representatives to interview any employees during working hours while the employee is on the job.

3. UNRESOLVED FINDING FOR RECOVERY

The Contractor affirmatively represents to the local contracting authority that it is not subject to a finding for recovery under Ohio Revised Code §9.24, or that it has taken the appropriate remedial steps required under §9.24 or otherwise qualifies under that section. The Contractor agrees that if this representation is deemed to be false, the contract shall be void ab initio as between the parties to this contract, and any funds paid by the state hereunder shall be immediately repaid to the local contracting authority, or an action for recovery may be immediately commenced by the local government and/or for recovery of said funds.

4. OHIO WORKERS' COMPENSATION COVERAGE

The Contractor must secure and maintain valid Ohio workers' compensation coverage until the project has been finally accepted by the local contracting authority. A certificate of coverage evidencing valid workers' compensation coverage must be submitted to the local contracting authority before the contract is executed.

The Contractor must immediately notify the local contracting authority, in writing, if it or any subcontractor fails or refuses to renew their workers' compensation coverage. Furthermore, the Contractor must notify the local contracting authority, in writing, if its or any of its subcontractor's workers' compensation policies are canceled, terminated or lapse.

The failure to maintain valid workers' compensation coverage shall be considered a breach of contract which may result in the Contractor or subcontractor being removed from the project, withholding of pay estimates and/or termination of the contract.

5. DRUG-FREE WORKPLACE PROGRAM

In accordance with Ohio Revised Code §153.03 and during the life of this project, the Contractor and all its Subcontractors that provide labor on the Project site must be enrolled in and remain in good standing in the Ohio Bureau of Worker's Compensation ("OBWC") Drug-Free Workplace Program ("DFWP") or a comparable program approved by the OBWC.

6. OHIO PREFERENCE

In accordance with Ohio Revised Code §164.05 (A)(6), to the extent practicable, the Contractor and subcontractor shall use Ohio products, materials, services and labor in connection with this project.

7. BID GUARANTY

In accordance with Ohio Revised Code §153.54, the contractor shall file with the bid a bid guaranty in the form of either: 1) a bond for the full amount of the bid, or 2) a certified check, cashier's check, or letter of credit equal to 10% of the bid.

8. OHIO ETHICS LAW

Contractor agrees that it is currently in compliance and will continue to adhere to the requirements of Ohio Ethics law as provided by Section 102.03 and 102.04 of the Ohio Revised Code.

9. STATE OF OHIO EQUAL EMPLOYMENT OPPORTUNITY REQUIREMENTS

NOTICE TO CONTRACTORS:

The provisions of the Ohio Administrative Code (OAC) 123:2-3-02 through 124:2-9 regarding Equal Employment Opportunity on State Construction Contracts and State-assisted Construction Contracts, and OAC 123:2-3-02 through 123:2-9 regarding Equal Employment Opportunity and Female Utilization Goals are applicable to this project, and each contractor will be required to comply in all aspects of these provisions.

CERTIFICATE OF COMPLIANCE FOR EEO PURPOSES:

All prime contractors must secure a valid Certificate of Compliance from the Department of Administrative Services, Equal Opportunity Division, prior to execution of a construction contract.

See <http://www.das.ohio.gov/Divisions/EqualOpportunity/CertificateofCompliance/tabid/129/Default.aspx> for instructions for electronic filing.

>>> Does this bidder have a valid Certificate of Compliance? ___Yes ___No

>>> If "No" to the above, will this bidder be able to obtain a valid Certificate of Compliance prior to the execution of a contract? ___Yes ___No

Bidder must provide a "Yes" answer to one or the other of the above questions.

BIDDER'S AFFIRMATIVE ACTION REQUIREMENTS:

Each prime contract bidder must submit an affirmative action program regarding equal employment opportunity to and receive approval from the State Equal Employment Opportunity (EEO) Coordinator prior to the bid opening, **OR** the prime contract bidder must have evidence within its bid adoption of the minority and female utilization work hour utilization goals and the specific affirmative action steps set forth in 123:2-3 through 123:2-9 of the Ohio Administrative Code.

>>> Has the prime contract bidder prepared and submitted an Affirmative Action Program to the State Equal Employment Opportunity Coordinator and that program has been approved by the State Equal Employment Opportunity Coordinator prior to the bid opening ? ___Yes ___No

>>>If "no", with this bid response, the prime contract bidder hereby adopts the minority and female work hour utilization goals and the specific affirmative action steps set forth in 123:2-3 through 123:2-9 of the Ohio Administrative Code.

BIDDER'S EEO COVENANTS:

Throughout its performance of any contract awarded to it on this State-assisted project, the prime contract bidder agrees to the following covenants:

(1) The contractor will not discriminate against any employee or applicant for employment because of race, color, religion, national origin, ancestry or sex. The contractor will take affirmative action to ensure that applicants are employed, and that employees are treated during employment without regard to their race, color, religion, national origin, ancestry or sex. Such action shall include, but is not limited to, the following: Employment, upgrading, demotion, or transfer; recruitment or recruitment advertising; layoff or termination; rates of pay or other forms of compensation; and selection for training, including apprenticeship.

The contractor agrees to post in conspicuous places, available to employees and applicants for employment, notices to be provided setting forth the provisions of this nondiscrimination clause.

(2) The contractor will in all solicitations or advertisements for employees placed by or on behalf of the prime contractor, state that all qualified applicants will receive consideration for employment without regard to race, color, religion, national origin, ancestry or sex.

(3) The contractor will send to each labor union or representative of workers with which it has a collective bargaining agreement or other contract or understanding, a notice to be provided by the State Administering Agency advising the said labor union or workers' representatives of the contractor's commitments under this covenant and shall post copies of the notice in conspicuous places available to employees and applicants for employment.

(4) The contractor will comply with all provisions of the Ohio Department of Administrative Services, Equal Opportunity Division and with the implementing rules, regulations and applicable orders of the State Equal Employment Opportunity Coordinator.

(5) The contractor agrees to fully cooperate with the State Administering Agency, the State Equal Employment Opportunity Coordinator and with any other official or agency, or the State or Federal government which seeks to eliminate unlawful employment discrimination, and with all other State and Federal efforts to assure equal employment practices under its contract and the contractor shall comply promptly with all requests and directions from the State Administering Agency, the State Equal Employment Opportunity Coordinator and any of the State of Ohio officials and agencies in this regard, both before and during construction.

(6) Full cooperation as expressed in clause (5), above, shall include, but not be limited to, being a witness and permitting employees to be witnesses and complainants in any proceeding involving questions of unlawful employment practices, furnishing all information and monthly utilization work hour reports required by the OAC 123: 2-9-01 and by the rules, regulations and orders of the State Equal Employment Opportunity Coordinator pursuant thereto, and permitting access to its books, records, and accounts by the State Administering Agency and the State Equal Employment Opportunity Coordinator for purposes of investigation to ascertain compliance with such rules, regulations and orders. Specifically, contractors will submit workforce utilization reports to the State Equal Opportunity Coordinator by the 10th of each month. The monthly reports must be electronically submitted through the following website: <http://das.ohio.gov/EOD/CCInputForm29.htm>

(7) In the event of the contractor's noncompliance with the nondiscrimination clauses of its contract or with any of the said rules, regulations, or orders, its contract may be canceled, terminated, or suspended in whole or in part and the contractor may be declared ineligible for further State Contracts or State-assisted Construction Contracts in accordance with procedures authorized in OAC 123:2-3 through 2-9 and such other sanctions may be instituted and remedies invoked, as provided in OAC 123:2-3 through 2-9 or by regulation, or order of the State Equal Employment Opportunity Coordinator, or as otherwise provided by law.

In the event that its contract is terminated for a material breach of OAC 123:2-3 through 2-9 the contractor shall become liable for any and all damages which shall accrue to the State Administering Agency and Applicant and the State of Ohio as a result of said breach.

(8) The contractor will require the inclusion of language reflecting these same eight covenants within every subcontract or purchase order it executes in the performance of its contract unless exempted by rules, regulations or orders of the State Equal Employment Opportunity Coordinator issued pursuant to O.A.C. 123:2-3-02 so that these provisions will be binding upon each subcontractor or vendor. The contractor will take such actions as the Administering Agency may direct as a means of enforcing such provisions, including sanctions for noncompliance; provided, however, that in any litigation with a subcontractor, vendor or other party as a result of such direction by the State Administering Agency, the contractor may be requested to protect the interests of the State.

>>>The prime contract bidder hereby adopts the foregoing covenants ? ___Yes ___No

BIDDER'S CERTIFICATION:

The undersigned, being a duly authorized officer of the prime contract bidder, does hereby certify to and agree with the foregoing statements and covenants regarding its subscription to the State's Equal Employment Opportunity Requirements for State-assisted Construction Contracts.

_____/_____/_____
Signature of Authorized Officer Date

Title

>>> PLEASE NOTE: Only a bidder possessing a valid certificate will be awarded a contract pursuant to Chapter 153 of the Revised Code by an owner referred to in section 153.01 of the Revised Code. Application shall be made at least ten working days prior to the date that the bidder expects to receive the certificate. The bidder's failure to elect one of the two Bidder's Affirmative Action Requirements, adopt the Bidder's EEO Covenants, and complete the foregoing certification may cause the bidder's proposal to be rejected as being non-responsive to the State's Equal Employment Opportunity Requirements and in non-compliance with the State Equal Employment Opportunity Bid Conditions. In addition, the bidder must, prior to the execution of a contract, submit to the local subdivision a valid Certificate of Compliance for Equal Employment Opportunity purposes.

"APPENDIX B" OF THE STATE EEO BID CONDITIONS

SPECIFIC AFFIRMATIVE ACTION STEPS

The following Affirmative Action steps are directed at increasing minority utilization:

(1) The contractor should maintain a file of the names and addresses of each minority and female referred to it by any individual or organization and what action was taken with respect to each such referred individual, and if the individual was not employed by the contractor, and the reasons therefore. If such individual was sent to the union hiring hall for referral and not referred back by the union or if referred back by the union or if referred, not employed by the contractor, the file should document this and the reason therefore.

To Demonstrate Compliance: Maintain a file of the names, addresses, telephone numbers, and craft of each minority and female applicant showing (a) the date of contact and whether the person was hired; if not, the reason, (b) if the person was sent to a union for referral, and the results (c) follow-up contacts when the contractor was hiring.

(2) The contractor should promptly notify the State Contracting Agency when the Union or Unions with which the contractor has collective bargaining agreements does not refer to the contractor a minority or female worker referred (to the union) by the contractor, or when the contractor has information that the union referral process has impeded efforts to meet its goals.

To Demonstrate Compliance: Have a copy of letters sent, or do not claim the union is impeding the contractors' efforts to comply.

(3) The contractor should disseminate its Equal Employment Opportunity policy within its organization by including it in any company newsletters and annual reports; by advertising at reasonable intervals in union publications; by posting of the policy; by specific review of the policy with minority and female employees; and by conducting staff meetings to explain and discuss the policy.

To Demonstrate Compliance: Have a written EEO policy which includes the name and how to contact the contractor's EEO Officer and (a) include the policy in any company policy manuals, (b) post a copy of the Policy on all company bulletin boards (in the office and on all job sites), (c) records, such as reports or diaries, etc., that each minority and female employee is aware of the Policy and that it has been discussed with them, (d) that the policy has been discussed regularly at staff meetings and (3) copies of newsletters and annual reports which include the Policy.

(4) The contractor should continually monitor all personnel activities to ensure that its EEO policy is being carried out, including the evaluation of minority and female employees for promotional opportunities on a quarterly basis and the encouragement of such employees to seek those opportunities.

To Demonstrate Compliance: Have records that the company EEO Officer reviews all: (a) monthly workforce reports, (b) hiring and terminations, (c) training provided on-the-job, (d) minority and female employees quarterly for promotion and encourages them to prepare for and seek promotion. The records should be the EEO Officer's job description, reports, memos, personnel files, etc., documenting the activities for possible discriminatory patterns.

(5) The contractor should disseminate its EEO policy externally by informing and discussing it with all recruiting sources; by advertising it in news media, specifically including minority and female news media; and by notifying and discussing it with all subcontractors.

To Demonstrate Compliance: Have copies of (a) letters sent, at least six months or at the start of each new major contract, to all recruiting sources (including labor unions) requiring compliance with the

Policy, (b) advertising, which has the EEO "tagline" on the bottom, and (c) purchase order and subcontract agreement forms will include or make reference to the State EEO Covenant, Appendix A or B of the Ohio Administrative Code 123:2-3-02.

(6) The contractor should make specific and reasonably recurrent oral and written recruitment efforts directed at minority and women's organizations, and training organizations with the contractor's recruitment area.

To Demonstrate Compliance: Have a record either in a follow-up file for each organization or on the reverse of the notification letter sent under Item 1, above, of the dates, individuals contacted and the results of the contract from telephone calls or personal meetings with the individuals or groups notified under Item 1.

(7) The contractor, where reasonable, should develop on-the-job training opportunities and participate and assist in all Department of Labor funded and/or approved training programs (including Apprenticeship) Programs relevant to the contractor's employee needs consistent with its obligations in the Bid Conditions.

To Demonstrate Compliance: Have records of contributions in cash, equipment supplied and/or contractor personnel provided as instructors for Bureau of Apprenticeship and Training approved or Department of Labor funded training programs and records of the hiring and training of minorities and females referred to Company by such programs.

(8) The contractor should solicit bids for subcontracts (and joint ventures) from available minority and female subcontractors engaged in the trades covered by the Bid Conditions, including circulation of minority and female contractors associations.

To Demonstrate Compliance: Have copies of letters or other direct solicitation of bids for subcontracts/joint ventures from minority/female contractors with a record of the specific response and any follow-up the contractor has done to obtain a price quotation or to assist a minority/female contractor in preparing or reducing a price quotation; have a list of all minority/female subcontracts awarded or joint ventures participated in with dollar amounts, etc.

EXPLANATION OF AN ACCEPTABLE AFFIRMATIVE ACTION PROGRAM:

An Affirmative Action Program is a set of specific and result-oriented procedures to which a Contractor shall apply every good faith effort. The objective of those procedures and efforts is to assure equal employment opportunity. An acceptable Affirmative Action Program will include an analysis of all trades employed by the Contractor within the last year with an explanation of whether Minorities are currently being under-utilized in any one or more trades. A necessary prerequisite to the development of a satisfactory Affirmative Action Program is the identification and analysis of problem areas inherent in Minority employment and an evaluation of opportunities for utilization of Minority group personnel.

Part I - Basic Contents of an Affirmative Action Program:

1. Development or reaffirmation of the contractor's EEO policy in all personnel actions.
2. Formal internal and external dissemination of contractor's EEO policy.
3. Establishment of responsibilities for implementation of the contractor's affirmative action program.
4. Identification of problem areas (deficiencies) by organizational units and job classification.

5. Establishment of goals and objectives by organizational units and job classification, including timetables for completion.
6. Development and execution of action oriented programs designed to eliminate problems and further designed to attain established goals and objectives.
7. Design and implementation of internal audit and reporting systems to measure effectiveness of the total programs.
8. Compliance of personnel policies and practices with Federal sex discrimination guidelines (41 CFR Part 60-20).
9. Active support of local and national community action programs and community service programs, designed to improve the employment opportunities of minorities.
10. Consideration of ethnic minorities and women not currently in the work force having requisite skills who can be recruited through affirmative action measures.
11. Summary data on applicant flow, hires, terminations and promotions, and training for the last twelve months or the last one hundred applicants, hires, etc., whichever is less.

Part II - Analysis of Individual Trades

1. The minority population of the labor area surrounding (contractor's) projects.
2. The size of the minority unemployment force in the labor area surrounding (the contractor's) projects.
3. The percentage of minority work force as compared with the total work force in the immediate labor area.
4. The general availability of minorities having requisite skills in the immediate labor area.
5. The availability of minorities having requisite skills in the area in which the contractor can reasonably recruit.
6. The availability of promotable minority employees within the contractor's organization.
7. The anticipated expansion, contraction, and turnover of an in the work force.
8. The existence of training institutions capable of training minorities in the requisite skills.
9. The degree of training which the contractor is reasonably able to undertake as a means of making all job classes available to minorities.

Goals, timetables and affirmative action commitments must be designed to correct any identifiable deficiencies. Where deficiencies exist and where numbers or percentages are relevant in developing corrective action, the contractor shall establish and set forth specific goals and timetables. Such goals and timetables, with supporting data and the analysis thereof shall be a part of the contractor's written affirmative action program. Where the contractor has not established a goal, its written affirmative action program must specifically analyze each of the factors listed above, and must detail its reason for a lack of a goal. The goals and timetables should be attainable in terms of the contractor's analysis of its deficiencies and its entire action. Thus, in establishing its goals and timetables, the contractor should consider the results which could be reasonably expected from its good faith efforts to make its overall affirmative action program work. If the contractor does not meet its goals and timetables, the

contractor's good faith efforts shall be judged as to whether the contractor is following its program and attempting to make the program work toward the attainment of its goals.

Support data for the above analysis and program shall be compiled and maintained as part of the contractor's affirmative action program. This data should include applicant flow data and applicant rejection ratios indicating minority status.

Compliance Status: No State Contractor's compliance status shall be judged alone by whether or not he reaches his goals and meets his timetables. Rather each Contractor's compliance posture shall be reviewed and determined by reviewing the contents of his program, the extent of his adherence to his program and his good faith efforts to make his program work toward the realization of the program's goals within the timetables set for completion.

“APPENDIX C” OF THE STATE EEO BID CONDITIONS

FEMALE UTILIZATION GOALS

OAC 123:2-3-05 Required utilization analysis and goals

(A) Each state-involved contractor shall include in his/her affirmative action program the information and analysis required pursuant to part IV 401-C of appendix A of rule 123:2-1-01 of the Administrative Code, in addition to female utilization requirements pursuant to the governor's "Executive Order 84-9" and this rule.

(B) As required by the governor's "Executive Order 84-9", the utilization of women shall be, at a minimum, that currently in use by the federal government as of February 15, 1984. This requirement stated at C.F.R. part 60-4 is 6.9 percent utilization of women. This requirement shall remain at 6.9 percent unless further amended by the governor in a subsequent order. This requirement shall be met by a determination of work hours utilized in the same manner as minority utilization hours are calculated.



BOARD OF COUNTY COMMISSIONERS

WARREN COUNTY, OHIO

406 Justice Drive, Lebanon, Ohio 45036

www.co.warren.oh.us

commissioners@co.warren.oh.us

Telephone (513) 695-1250

Facsimile (513) 695-2054

TOM GROSSMANN

SHANNON JONES

DAVID G. YOUNG

ADVERTISEMENT FOR BIDS

Sealed bids will be received by the Clerk of the County Commissioners, Warren County, Ohio, 406 Justice Drive, Lebanon, Ohio 45036, until 9:00 a.m., May 21, 2019, and then at said time bids will be opened and read aloud for the Socialville-Fosters Road Bridge #32-5.14 Rehabilitation and Retaining Wall Replacement Project.

Bid documents and specifications are available online at the Warren County's Website at <http://www.co.warren.oh.us/commissioners/Resources/Bids/Default.aspx>. Questions regarding the technical specifications should be directed to Roy Henson, Bridge Engineer, at the Warren County Engineer's Office, at (513) 695-3310. Each bid shall contain the full name of each person or company submitting the bid and be accompanied by a bid bond for the full amount of the bid or a certified check in the amount equal to ten (10) percent of the bid.

This notice is posted on the Warren County Government internet site. The Warren County Government Web Site can be accessed by logging onto the internet and typing in the following address <http://www.co.warren.oh.us/commissioners/Resources/Bids/Default.aspx>. To access bid project information, under the "Your Government" heading click on the "Board of Commissioners" tab, then click on the "Bid Projects" tab and choose the project you wish to obtain information about. Please contact the Warren County Commissioners (513) 695-1250 if you have trouble with this procedure or if you need additional information on accessing bid project information on our web site.

Each bidder is required to furnish with its proposal a Bid Guaranty and Contract Bond in accordance with Section 153.54 of the Ohio Revised Code. Bid security furnished in Bond form, shall be issued by a Surety Company or Corporation licensed in the State of Ohio to provide said surety.

Each Proposal must contain the full name of the party or parties submitting the proposal and all persons interested therein. Each bidder must submit evidence of its experiences on projects of similar size and complexity. The owner intends and requires that this project be completed no later than twelve weeks after a notice to proceed has been issued and a preconstruction meeting has been held. All bidders shall be ODOT pre-qualified.

All contractors and subcontractors involved with this project will, to the extent practicable use Ohio Products, materials, services and labor in the implementation of their project. Additionally, contractor compliance with the equal employment opportunity requirements of Ohio Administrative Code Chapter 123.

Bidders must comply with the prevailing wage rates on Public Improvements in Warren County, Ohio as determined by the Ohio Bureau of Employment Services, Wage and Hour Division, (614) 644-2239.

Please be aware that if you are downloading this document to bid this project, and in order to stay updated on any change, please email Kiana Hawk in the Commissioners Office at kiana.hawk@co.warren.oh.us with your contact information.

The Board of Warren County Commissioners reserve the right to accept the lowest and best bid, to reject all bids, and to waive any irregularities in bids.

By order of the Board of County Commissioners, Warren County, Ohio.

Tina Osborne, Clerk